



1LS19



Actual product appearance may vary.

Enclosed Switches Series LS: Side Rotary with 1.5" Fixed Length Lever; Steel Roller; 1NC 1NO DPDT Snap Action, Double Break; 0.5 in - 14NPT conduit; Compact/Non-Plug-in

Features

- Mode of operation is field adjustable
- NEMA 1, 3, 4, 6, and 13
- Wide choice of heads and actuators
- Variety of operating characteristics
- Captive screws
- UL and CSA approved parts available

Potential Applications

- Machine tools
- Conveyors
- Material handling
- Metal fabrication equipment
- Lift trucks

Description

MICRO SWITCH™ compact LS and plug-in 200LS limit switches have a long record of successful performance in industrial applications. The MICRO SWITCH™ LS fits in many places too small for any other fully adjustable limit switch. The MICRO SWITCH™ 200LS switches are the original plug-in concept for reducing downtime by making changeover simple and fast.

| Product Specifications | |
|------------------------|---|
| Availability | Global |
| Operating Force (O.F.) | 0.51 N m max. [4.5 in lb max.] |
| Full Overtravel Force | 8.13 N m max. [6 in lb max.] |
| Release Force (R.F.) | 0.08 N m min. [0.75 in lb min.] |
| Pretravel (P.T.) | 5° max. |
| Overtravel (O.T.) | 30° min. |
| Product Type | MICRO SWITCH™ Compact Limit Switches |
| Actuator | Side Rotary |
| Lever Style | 1.5 in Fixed Length Lever with front mounted Steel Roller (.75 in dia. x .25 in wide) |
| Circuitry | 1NC 1NO SPDT Snap Action, Double-Break |

| | |
|-----------------------------|---|
| Ampere Rating | 10 A Ind. |
| Supply Voltage | 120 Vac. 240 Vac. 480 Vac |
| Housing Material | Zinc Die-Cast |
| Termination Type | 0.5 in - 14NPT conduit |
| Housing Type | Compact / Non Plug-In |
| Series Name | LS |
| Sealing | NEMA 1, 3, 4, 6, 13 |
| Operating Temperature Range | -29 °C to 71 °C [-20 °F to 160 °F] |
| Comment | Low Pretravel |
| UNSPSC Code | 302119 |
| UNSPSC Commodity | 302119 Switches and controls and relays |
| Sealed | Industrial |

H MICRO SWITCH
 FREEPORT, ILLINOIS, U.S.A.
 A DIVISION OF HONEYWELL
 FED. MFG. CODE 91929

SWITCH - ENCLOSED

CATALOG LISTING
1LS19

CATALOG LISTING
1LS19
 PAGE 1 OF 1

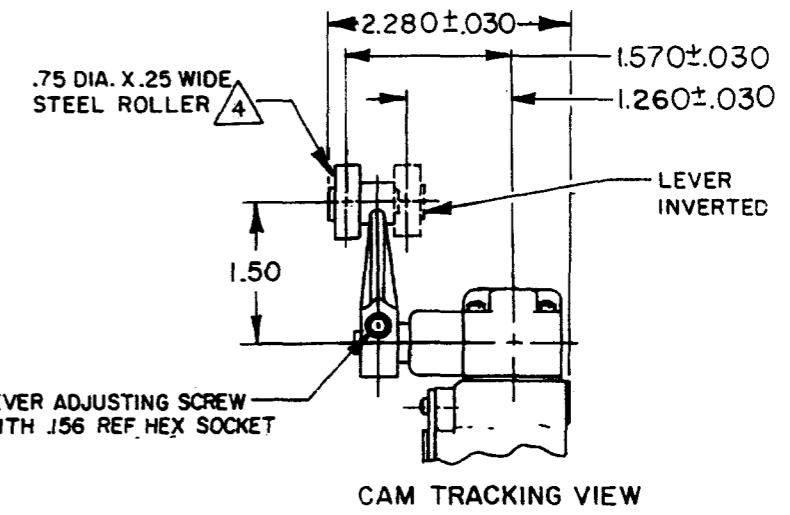
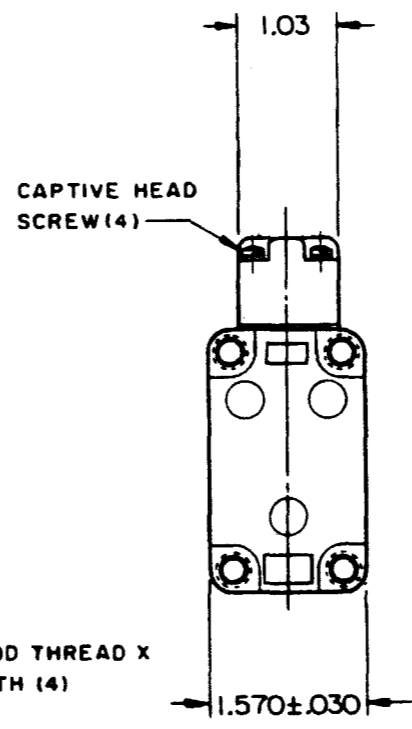
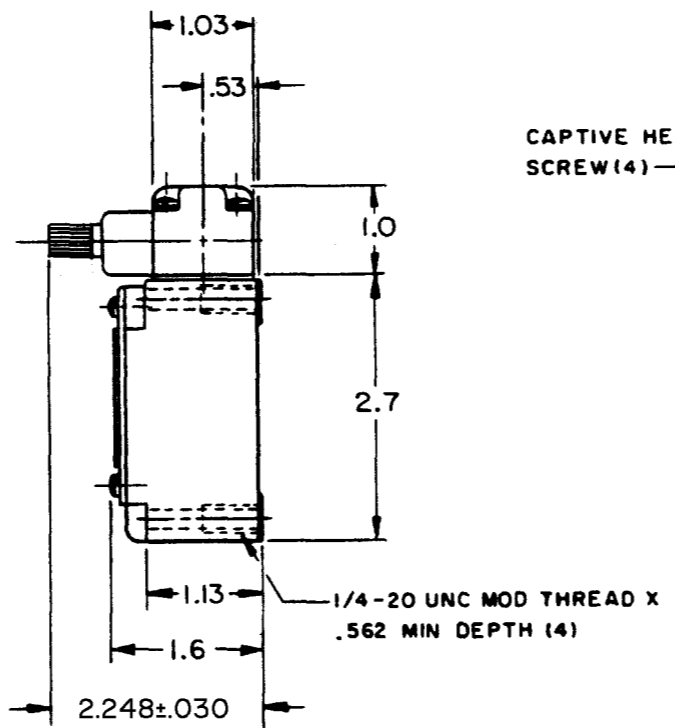
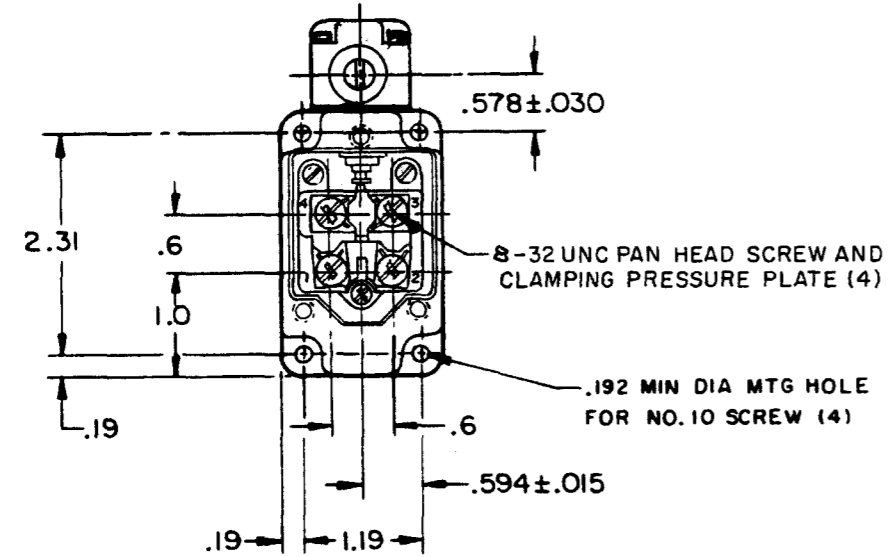
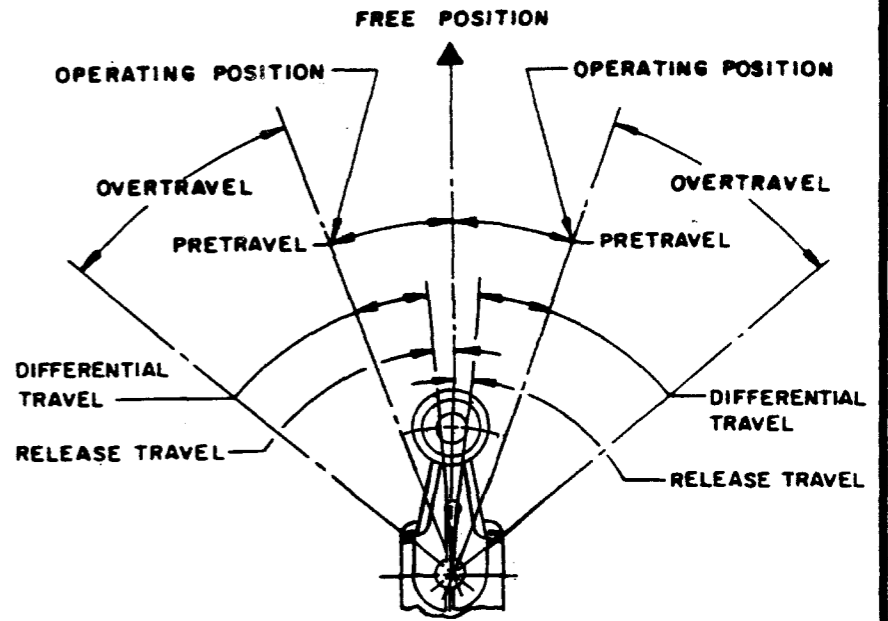
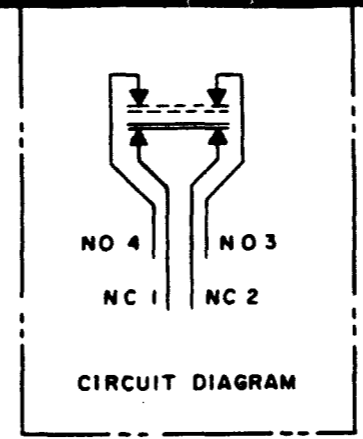
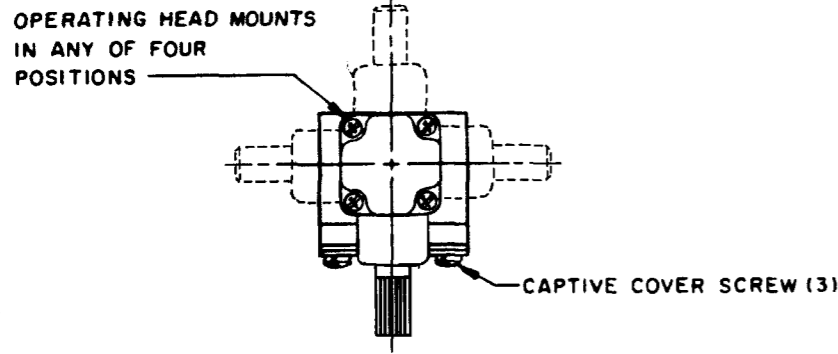
ISSUE
M
 20

REVISIONS
 A CO-95463-B
 DLT
 7 SEP 99
 B ECO-200178
 CSL
 5 APR 00

CHECK
 20 MAR 04

CHECK
 20 MAR 04

FORMTEK
 FO-80378-003
 DRAWN
 O MW 18 FEB 64
 CHECK
 DAW 20 MAR 04



THIS DRAWING COVERS A PROPRIETARY ITEM AND IS THE PROPERTY OF MICRO SWITCH, A DIVISION OF MINNEAPOLIS-HONEYWELL REGULATOR CO. THIS DRAWING IS NOT TO BE COPIED OR USED WITHOUT THE APPROVAL OF MICRO SWITCH.

| CHARACTERISTICS | ELECTRICAL DATA | SCALE 1/2 TO 1 |
|---------------------------------------|---|--------------------------|
| OPERATING TORQUE-----4.5 IN-LB MAX | CONTACT ARRANGEMENT (SEE CIRCUIT DIAGRAM) | DO NOT SCALE PRINT |
| FULL OVERTRAVEL TORQUE -- 6 IN-LB MAX | | UNLESS OTHERWISE NOTED |
| RELEASE TORQUE----- .75 IN-LB MIN | 10A - 120, 240 OR 480 VAC | DIMENSIONS ARE IN INCHES |
| PRETRAVEL-----5° MAX | 1/4 HP - 120 VAC; 1/2 HP - 240 VAC | TOLERANCES ARE: |
| | PILOT DUTY: 600 VAC MAX | ONE PLACE (.0) ±.030 |
| OVERTRAVEL-----30° MIN | | TWO PLACE (.00) ±.015 |
| RELEASE TRAVEL-----0°30' MIN | | THREE PLACE (.000) ±.008 |
| SWITCH-BASIC REPLACEMENT-----2MN8 | | ANGLES ± |
| | | WEIGHT |

- NOTES
- 1-SWITCH IS ASSEMBLED FOR ACTUATION IN BOTH DIRECTIONS BUT MAY BE ADJUSTED TO ACTUATE IN EITHER THE CLOCKWISE DIRECTION ONLY OR THE COUNTERCLOCKWISE DIRECTION ONLY
 - 2-TO CONVERT SWITCH FOR ACTUATION IN EITHER THE CLOCKWISE OR COUNTERCLOCKWISE DIRECTION ONLY, REMOVE ACTUATOR HEAD AND ROTATE THE NOTCHED PLUNGER 90° TO THE RIGHT FOR CLOCKWISE ACTUATION OR 90° TO THE LEFT FOR COUNTERCLOCKWISE ACTUATION
 - 3 SEAL TO BE FURNISHED BY USER
 - 4 ROLLER LEVER MAY BE LOCKED IN ANY POSITION THRU 360°
 - 5- LEVER FURNISHED UNASSEMBLED IN UNIT PACKING BOX