

MICRO SWITCH

A DIVISION OF MINNEAPOLIS-HONEYWELL REGULATOR COMPANY
 FREEPORT, ILLINOIS

FED. MFR. CODE 91929

ACTUATOR-SWITCH

CATALOG LISTING

JV-26

(M) JV-26
 ISSUE 2

JV-26

M

DRAWING NUMBER

4

ISSUE

REPLACES

RELEASE NO.

CHECK

REVISIONS

A

CO13876

MBF

9 JULY 59

B

CO34626

RER

7 FEB 75

RAW

10 JULY 59

RKL

CHECK

RAW

10 JULY 59

CHECK

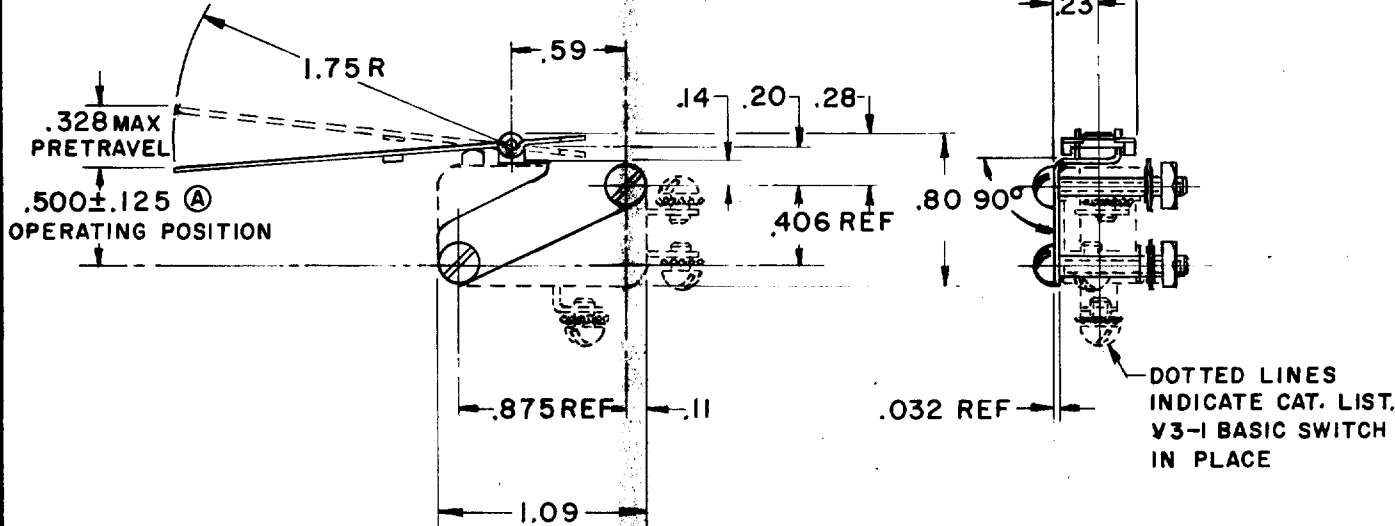
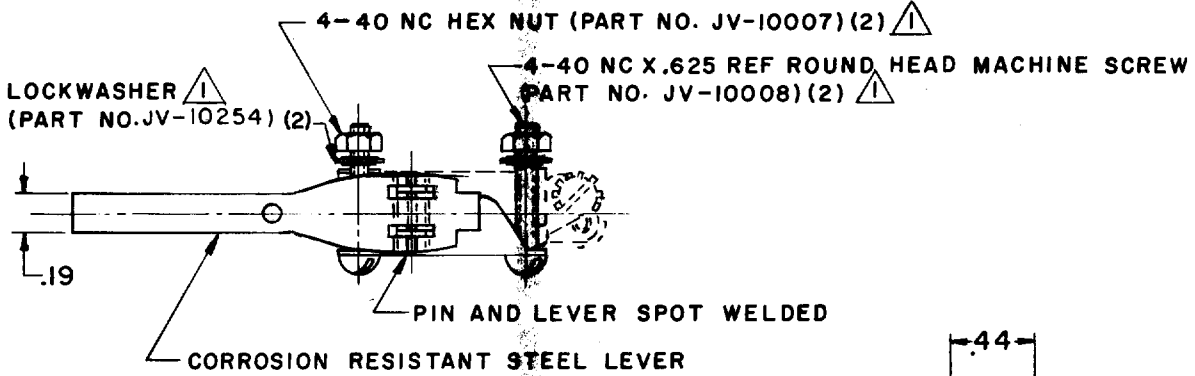
RAW

9 JULY 59

MBF

DRAWN

FO-30378



NOTE—
 △ FURNISHED UNASSEMBLED

THIS DRAWING COVERS A PROPRIETARY ITEM AND IS THE PROPERTY OF MICRO SWITCH, A DIVISION OF MINNEAPOLIS-HONEYWELL REGULATOR CO. THIS DRAWING IS NOT TO BE COPIED OR USED WITHOUT THE APPROVAL OF MICRO SWITCH.

CHARACTERISTICS	ELECTRICAL DATA		SCALE FULL
	CONTACT ARRANGEMENT	BREAK DISTANCE	DO NOT SCALE PRINT
WITH V3-1 BASIC SWITCH INSTALLED OPERATING FORCE ———— 2 1/4 OZ MAX RELEASE FORCE ———— 1/4 OZ MIN			UNLESS OTHERWISE SPECIFIED DIMENSIONS ARE IN INCHES TOLERANCES ARE:
DIFFERENTIAL TRAVEL ———— .187 MAX OVERTRAVEL ———— .141 MIN			ONE PLACE (.0) ± .030 TWO PLACE (.00) ± .015 THREE PLACE (.000) ± .005 ANGLES ± 2°
			WEIGHT