



### 8LS1



*Actual product appearance may vary.*

**Enclosed Switches Series LS: Wobble - Flexible Cable; 1NC 1NO DPDT Snap Action, Double Break; 0.5 in - 14NPT conduit; Compact/Non Plug-in**

#### Features

- Mode of operation is field adjustable
- NEMA 1, 3, 4, 6, and 13
- Wide choice of heads and actuators
- Variety of operating characteristics
- Captive screws
- UL and CSA approved parts available

#### Potential Applications

- Machine tools
- Conveyors
- Material handling
- Metal fabrication equipment
- Lift trucks

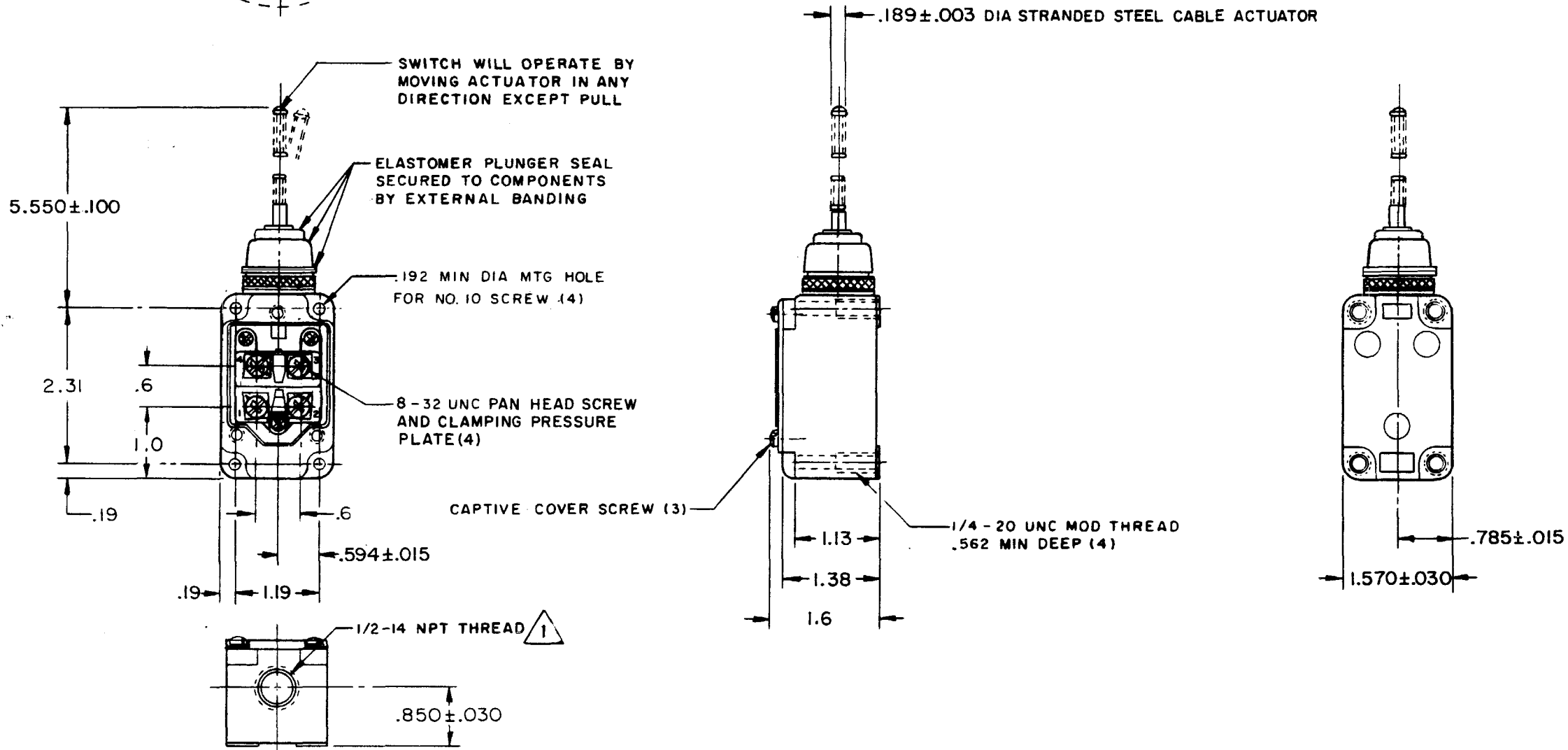
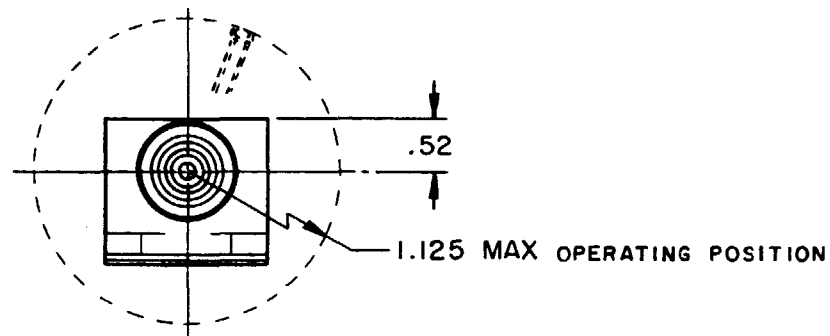
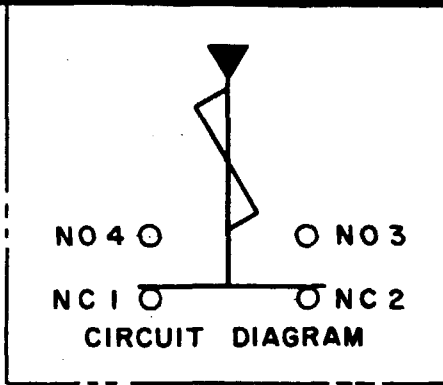
#### Description

MICRO SWITCH™ compact LS and plug-in 200LS limit switches have a long record of successful performance in industrial applications. The MICRO SWITCH™ LS fits in many places too small for any other fully adjustable limit switch. The MICRO SWITCH™ 200LS switches are the original plug-in concept for reducing downtime by making changeover simple and fast.

Product Specifications	
Availability	Global
Operating Force (O.F.)	1.39 N max. [5 oz max.]
Pretravel (P.T.)	28.6 mm max. [1.125 in max.]
Product Type	MICRO SWITCH™ Compact Limit Switches
Actuator	Wobble - Flexible Cable
Circuitry	1NC 1NO SPDT Snap Action, Double-Break
Ampere Rating	10 A Ind./0.8 A Res./0.4 Res./0.1 A Res.
Supply Voltage	120 Vac. 240 Vac. 480 Vac/115 Vdc/230 Vdc/550 Vdc
Housing Material	Zinc Die-Cast
Termination Type	0.5 in - 14NPT conduit

Housing Type	Compact / Non Plug-In
Series Name	LS
Sealing	NEMA 1, 3, 4, 6, 13
Operating Temperature Range	-29 °C to 71 °C [-20 °F to 160 °F]
Comment	5.5" flexible cable actuator with external boot seal
UNSPSC Code	302119
UNSPSC Commodity	302119 Switches and controls and relays
Sealed	Industrial
Operating Position (O.P.)	28,58 mm [1.125 in] max. in any direction

---



8LS1  
 PAGE 1 OF 1  
 M  
 DRAWING NUMBER  
 ISSUE 17  
 REVISIONS  
 A CO 15200  
 O M W  
 18 JUN 65  
 B CO 23403  
 G F S  
 26 SEPT 68  
 C CO 24612  
 R E R  
 15 OCT 68  
 D CO 25152  
 W A W  
 19 APR 69  
 E CO 50952-F  
 T S K  
 9 JUNE 83  
 F CO 53005-D  
 C J H  
 1 AUG 84  
 G CO 65814-E  
 G R T  
 26 NOV 90  
 H CO-177031  
 J D B  
 22 DEC 93  
 J CO 94494  
 J A F  
 19 MAR 99  
 O M W 18 JUN 65  
 DRAWN  
 FORMTEK  
 FO-80378-003

THIS DRAWING COVERS A PROPRIETARY ITEM AND IS THE PROPERTY OF MICRO SWITCH, A DIVISION OF MINNEAPOLIS-HONEYWELL REGULATOR CO. THIS DRAWING IS NOT TO BE COPIED OR USED WITHOUT THE APPROVAL OF MICRO SWITCH.

CHARACTERISTICS	ELECTRICAL DATA	SCALE 1/2 TO 1
OPERATING FORCE ----- 5 OZ MAX	CONTACT ARRANGEMENT (SEE CIRCUIT DIAGRAM)	DO NOT SCALE PRINT
FORCE AT 2.0 ----- 10 OZ MAX	10A-120, 240, OR 480 VAC; 1/4 HP - 120 VAC 1/2 HP - 240 VAC; 0.8A - 115 VDC; 0.4A - 230 VDC .1A - 550 VDC PILOT DUTY: 600 VAC MAX	UNLESS OTHERWISE NOTED DIMENSIONS ARE IN INCHES TOLERANCES ARE: ONE PLACE (.0) ± .030 TWO PLACE (.00) ± .015 THREE PLACE (.000) ± .005 ANGLES ±
SWITCH - BASIC REPLACEMENT ----- 2MN11		WEIGHT

NOTE -

⚠ SEAL TO BE FURNISHED BY USER