



1LS1



Actual product appearance may vary.

Enclosed Switches Series LS: Side Rotary with 1.5" Fixed Length Lever; Steel Roller; 1NC 1NO DPDT Snap Action, Double Break; 0.5 in - 14NPT conduit; Compact/Non-Plug-in

Features

- Mode of operation is field adjustable
- NEMA 1, 3, 4, 6, and 13
- Wide choice of heads and actuators
- Variety of operating characteristics
- Captive screws
- UL and CSA approved parts available

Potential Applications

- Machine tools
- Conveyors
- Material handling
- Metal fabrication equipment
- Lift trucks

Description

MICRO SWITCH™ compact LS and plug-in 200LS limit switches have a long record of successful performance in industrial applications. The MICRO SWITCH™ LS fits in many places too small for any other fully adjustable limit switch. The MICRO SWITCH™ 200LS switches are the original plug-in concept for reducing downtime by making changeover simple and fast.

Product Specifications	
Availability	Global
Operating Force (O.F.)	0.51 N m max. [4.5 in lb max.]
Full Overtravel Force	8.13 N m max. [6 in lb max.]
Release Force (R.F.)	0.08 N m min. [0.75 in lb min.]
Pretravel (P.T.)	20° max.
Overtravel (O.T.)	30° min.
Differential Travel (D.T.)	12° max.
Product Type	MICRO SWITCH™ Compact Limit Switches
Actuator	Side Rotary
Lever Style	1.5 in Fixed Length Lever with front mounted Steel Roller (.75 in dia. x .25 in wide)

Circuitry	1NC 1NO SPDT Snap Action, Double-Break
Ampere Rating	10 A Ind./0.8 A Res./0.4 Res./0.1 A Res.
Supply Voltage	120 Vac. 240 Vac. 480 Vac/115 Vdc/230 Vdc/550 Vdc
Housing Material	Zinc Die-Cast
Termination Type	0.5 in - 14NPT conduit
Housing Type	Compact / Non Plug-In
Series Name	LS
Sealing	NEMA 1, 3, 4, 6, 13
Operating Temperature Range	-29 °C to 71 °C [-20 °F to 160 °F]
UNSPSC Code	302119
UNSPSC Commodity	302119 Switches and controls and relays
Sealed	Industrial

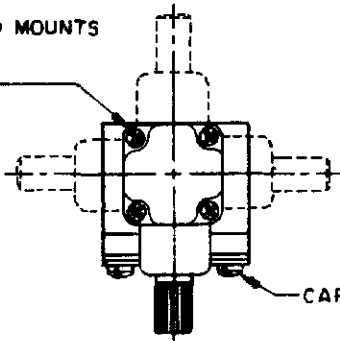
H MICRO SWITCH
 FREEPORT, ILLINOIS, U S A
 A DIVISION OF HONEYWELL

SWITCH - ENCLOSED

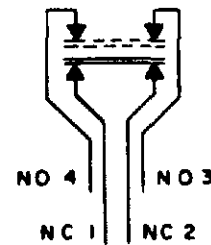
CATALOG LISTING
1LS1

FED MFG CODE 81929

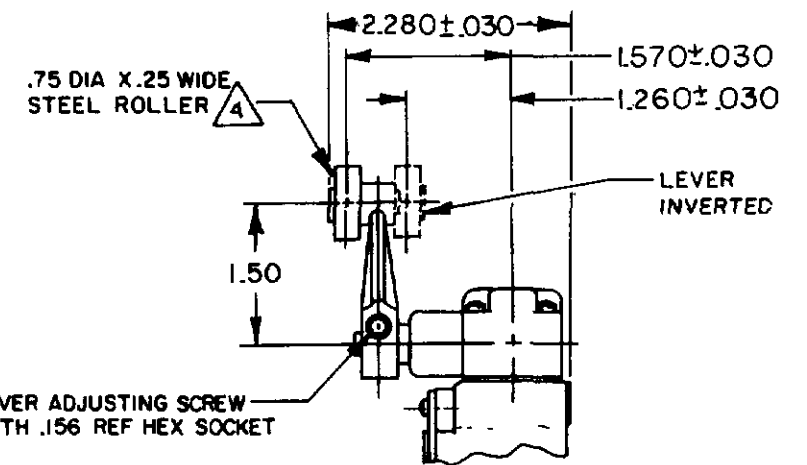
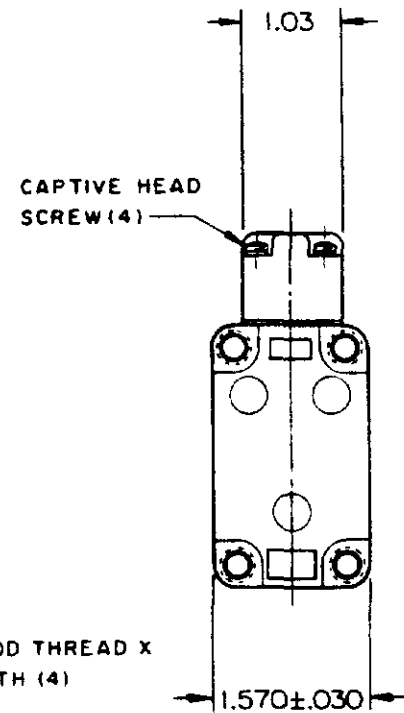
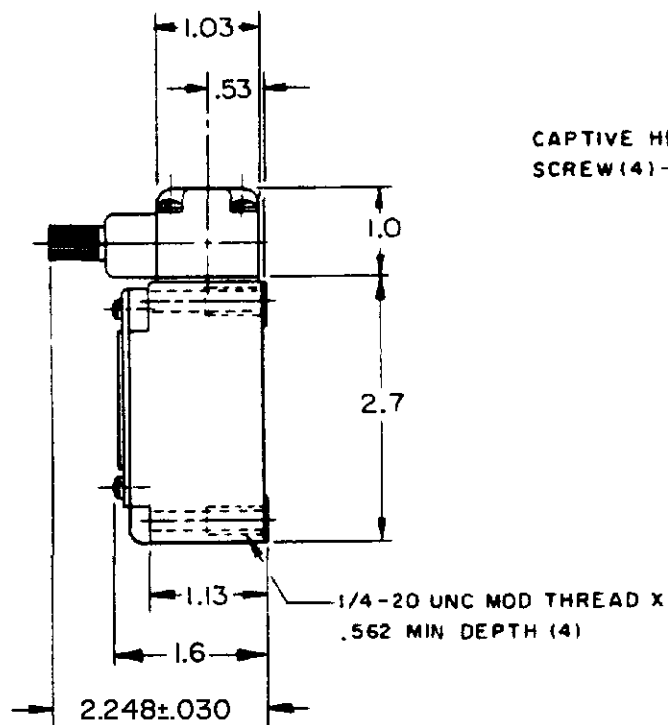
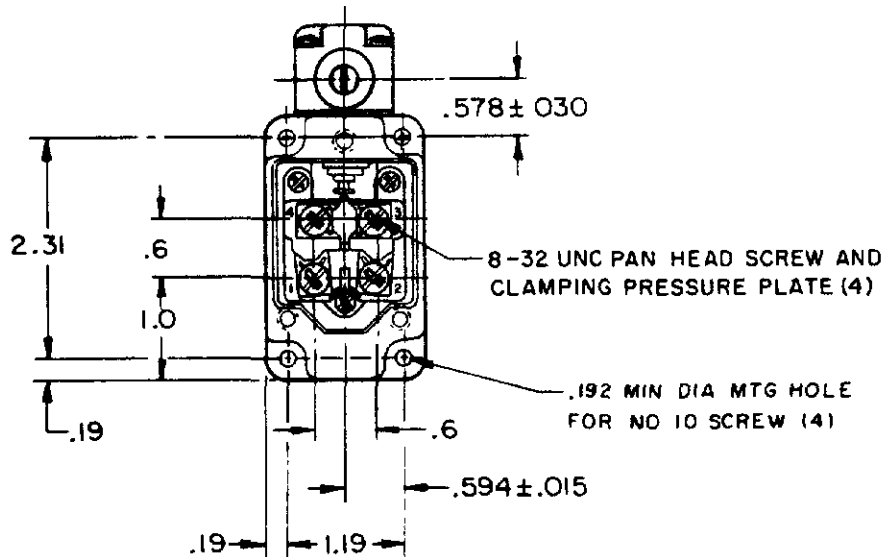
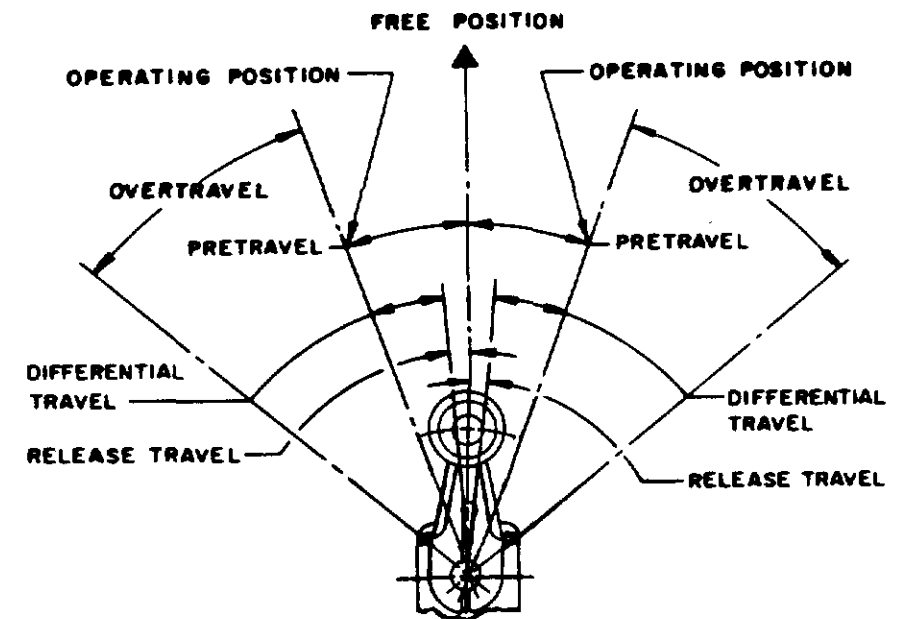
OPERATING HEAD MOUNTS
 IN ANY OF FOUR
 POSITIONS



CAPTIVE COVER SCREW (3)



CIRCUIT DIAGRAM



CAM TRACKING VIEW

CATALOG LISTING
1LS1
 PAGE 1 OF 1

ISSUE
M
 24

REVISIONS
 A CO-95463-B
 D L T
 3 SEP 99
 B ECO-200178
 C S L
 5 APR 00

CHECK
 DRAW
 20 MAR 64

FORMTEK
 FO-80378-003

CHECK
 DRAW
 19 FEB 64

THIS DRAWING COVERS A PROPRIETARY ITEM AND IS THE PROPERTY OF MICRO SWITCH, A DIVISION OF MINNEAPOLIS-HONEYWELL REGULATOR CO THIS DRAWING IS NOT TO BE COPIED OR USED WITHOUT THE APPROVAL OF MICRO SWITCH

CHARACTERISTICS	ELECTRICAL DATA	SCALE 1/2 TO 1
OPERATING TORQUE --- 4.5 IN-LB MAX	CONTACT ARRANGEMENT (SEE CIRCUIT DIAGRAM)	DO NOT SCALE PRINT
FULL OVERTRAVEL TORQUE --- 6 IN-LB MAX		UNLESS OTHERWISE NOTED
RELEASE TORQUE --- .75 IN-LB MIN		DIMENSIONS ARE IN INCHES
PRETRAVEL --- 20° MAX	10 A-120, 240, OR 480 VAC; 1/3 HP-120 VAC	TOLERANCES ARE:
DIFFERENTIAL TRAVEL --- 12° MAX	3/4 HP-240 VAC; 0.8 A-115 VDC; 0.4 A-230 VDC	ONE PLACE (.0) ± .030
OVERTRAVEL --- 30° MIN	0.1 A-950 VDC	TWO PLACE (.00) ± .015
RELEASE TRAVEL --- 5° MIN	PILOT DUTY, 800 VAC MAX	THREE PLACE (.000) ± .005
SWITCH-BASIC REPLACEMENT --- 2MNI		ANGLES ±
		WEIGHT 9 OZ

NOTES

- 1- SWITCH IS ASSEMBLED FOR ACTUATION IN BOTH DIRECTIONS BUT MAY BE ADJUSTED TO ACTUATE IN THE CLOCKWISE DIRECTION ONLY OR THE COUNTERCLOCKWISE DIRECTION ONLY
- 2- TO CONVERT SWITCH FOR ACTUATION IN EITHER THE CLOCKWISE OR COUNTERCLOCKWISE DIRECTION ONLY, REMOVE ACTUATOR HEAD AND ROTATE THE NOTCHED PLUNGER 90° TO THE RIGHT FOR CLOCKWISE ACTUATION OR 90° TO THE LEFT FOR COUNTERCLOCKWISE ACTUATION

- 3 SEAL TO BE FURNISHED BY USER
- 4 ROLLER LEVER MAY BE LOCKED IN ANY POSITION THRU 360°
- 5- LEVER FURNISHED UNASSEMBLED IN UNIT PACKING BOX