



13AC1



Actual product appearance may vary.

AC Series Door Switch, Single Pole Double Throw Circuitry, 15 A at 250 Vac, Rod Actuator, Silver Contacts, Screw Termination

Features

- Automatically cuts power when service door or drawer is opened
- Choice of momentary, maintained or pull-to-heat actuation
- Versatile mounting bracket for side or end mounting
- Current rating ranges from 5 A to 25 A
- Available with one or two SPDT switches
- UL recognized versions available
- Choice of termination

Potential Applications

- Appliances
- Vending machines
- Office equipment
- Computer/business equipment
- Test instruments
- Medical/dental equipment
- Communications equipment
- HVAC equipment

Description

MICRO SWITCH™ AC Series Door Switches are used for simple or precision on/off application needs. They enable circuit testing with POWER ON by manually pulling a rod actuator to the maintained-ON position. Closing the door resets the switch.

Product Specifications	
Switch Type	Door 46,0 mm H x 12,7 mm W x 50,0 mm L [1.8 in H x 0.5 in W x 1.9 in L]
Sealed	No
Ampere Rating	15 A
Circuitry	Single Pole Double Throw (SPDT)
Actuator	Rod
Termination	Screw
Operating Temperature Range	-18 °C to 149 °C [-65 °F to 300 °F]
Voltage	250 Vac
Contact Type	Silver
Operating Position (O.P.)	12,3 mm [0.485 in] min.
Free Position (F.P.)	15,9 mm [0.625 in] max.

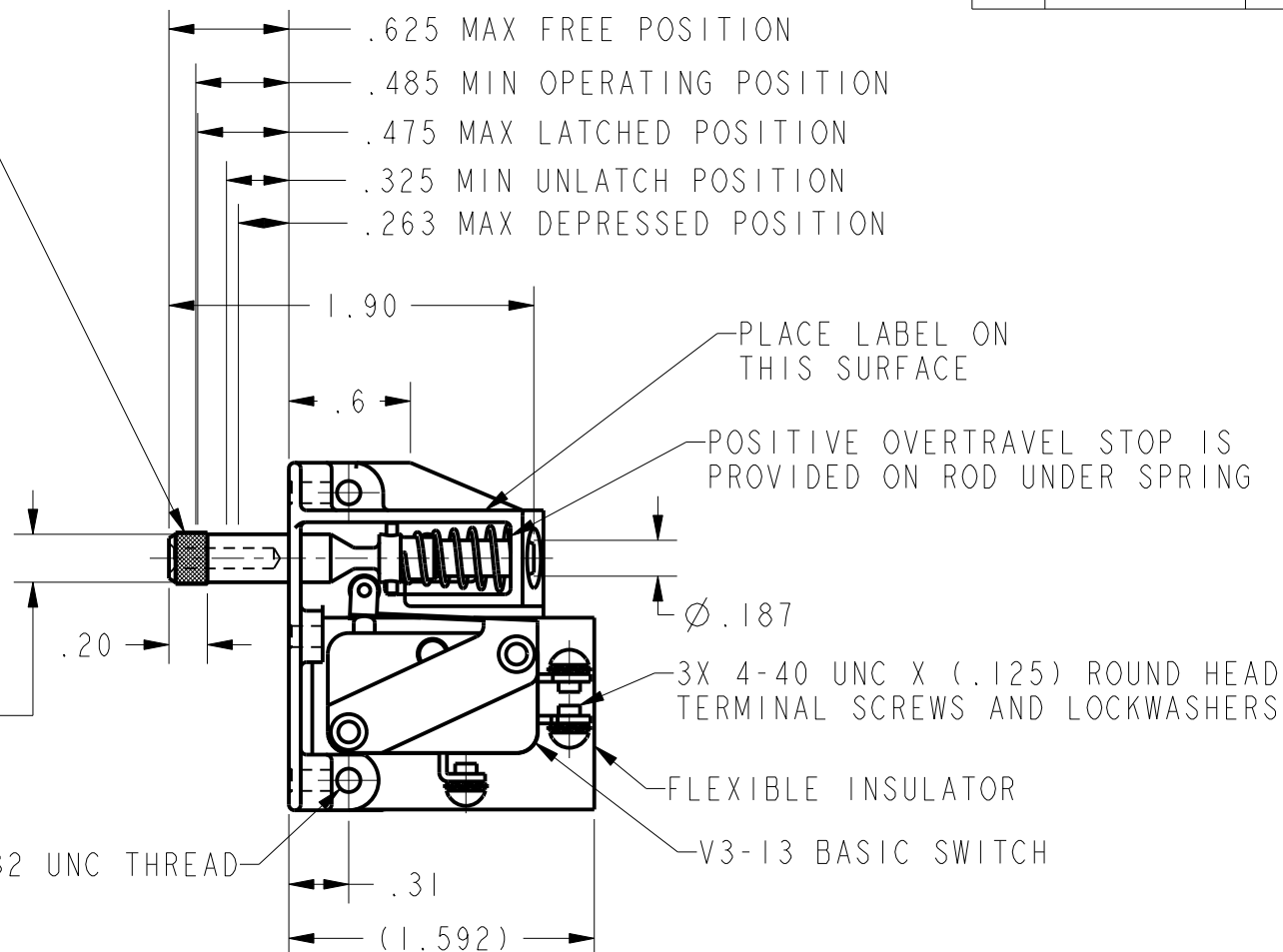
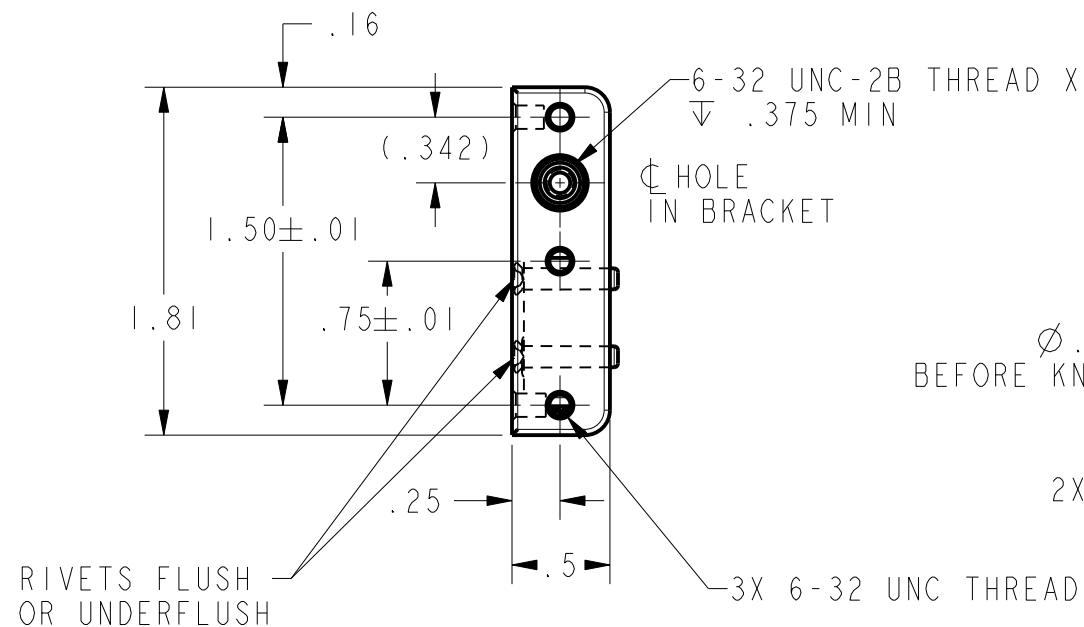
Housing Material	Stainless Steel Bracket, Stainless Steel Rod
Weight	42,64 g [.094 lb]
Package Height	46 mm [1.81 in]
Package Width	13,21 mm [.52 in]
Package Length	56,4 mm [2.22 in]
Availability	Global
UNSPSC Code	30211905
UNSPSC Commodity	30211905 Snap switches
Series Name	AC

HONEYWELL
PART NUMBER

13AC1

REV	DOCUMENT	CHANGED BY	CHECK
11	0036921	SS 25JAN08	BLR

PUSH TO OPERATE- RETURNS AUTOMATICALLY TO POSITION SHOWN
PUSH AND TURN (APPROXIMATELY 60° CLOCKWISE) TO LATCH. REMAINS IN OPERATED POSITION UNTIL RESET FOR AUTOMATIC RETURN BY NEXT PUSH OPERATION $\triangle 3$



ELECTRICAL DATA

CONTACT ARRANGEMENT
S P D T

15.1A 1/2HP 125, 250 VAC
1/2A 125 VDC, 1/4A 250 VDC
5A 125 VAC "L"

CHARACTERISTICS

TOTAL TRAVEL - .360 APPROX
FULLY DEPRESSED FORCE - 4 LBS MAX

NOTES

- 1 - PLASTIC PARTS ARE MADE OF MINERAL FILLED PHENOLICS
- 2 - WITH ROD IN ACTUATED POSITION, BASIC SWITCH PLUNGER MUST HAVE .010 MIN OVERTRAVEL AND WITH ROD IN FREE POSITION BASIC SWITCH PLUNGER MUST HAVE .005 MIN RELEASE TRAVEL
- $\triangle 3$ PLUNGER MUST BE DEPRESSED TO WITHIN .325 FROM THE FRONT SURFACE OF MOUNTING BRACKET TO ASSURE RESET FOR AUTOMATIC RETURN

DESIGN UNITS: INCH TOLERANCES UNLESS NOTED:	DRAWN	SS	25JAN08	Honeywell				
NO PLACES X ± ONE PLACE .X ± 0.030 TWO PLACE .XX ± 0.015 THREE PLACE .XXX ± 0.005 ANGLES X ± -	CHECK	BLR	25JAN08				TITLE ASSEMBLY, SWITCH	
THIRD ANGLE PROJECTION 	INTERPRET PER ANSI Y14.5M-1982 OTHER HONEYWELL ENGINEERING STANDARDS MAY APPLY			SIZE	TYPE	CAGE CODE	DRAWING NAME	REV
	Pro/ENGINEER 3D			B	I	-	13AC1	11
				SCALE	1:1		SHEET	1 OF 1