

MICRO SWITCH
 FREEPORT, ILLINOIS, U.S.A.
 A DIVISION OF HONEYWELL
 FED. MFG. CODE 91829

SWITCH-ENCLOSED

CATALOG LISTING
BZGI-2RN34

BZGI-2RN34

M
DRAWING NUMBER

X
X
ISSUE

RELEASE NO. PR-14257 REPLACES

CHECK

REVISIONS

A	C067624
18	SLB JUN 90
B	C072977
6	J W B AUG 92
C	CO-77179-C
12	MAM MAR 94

CHECK

85

KAG

OCT

85

CHECK

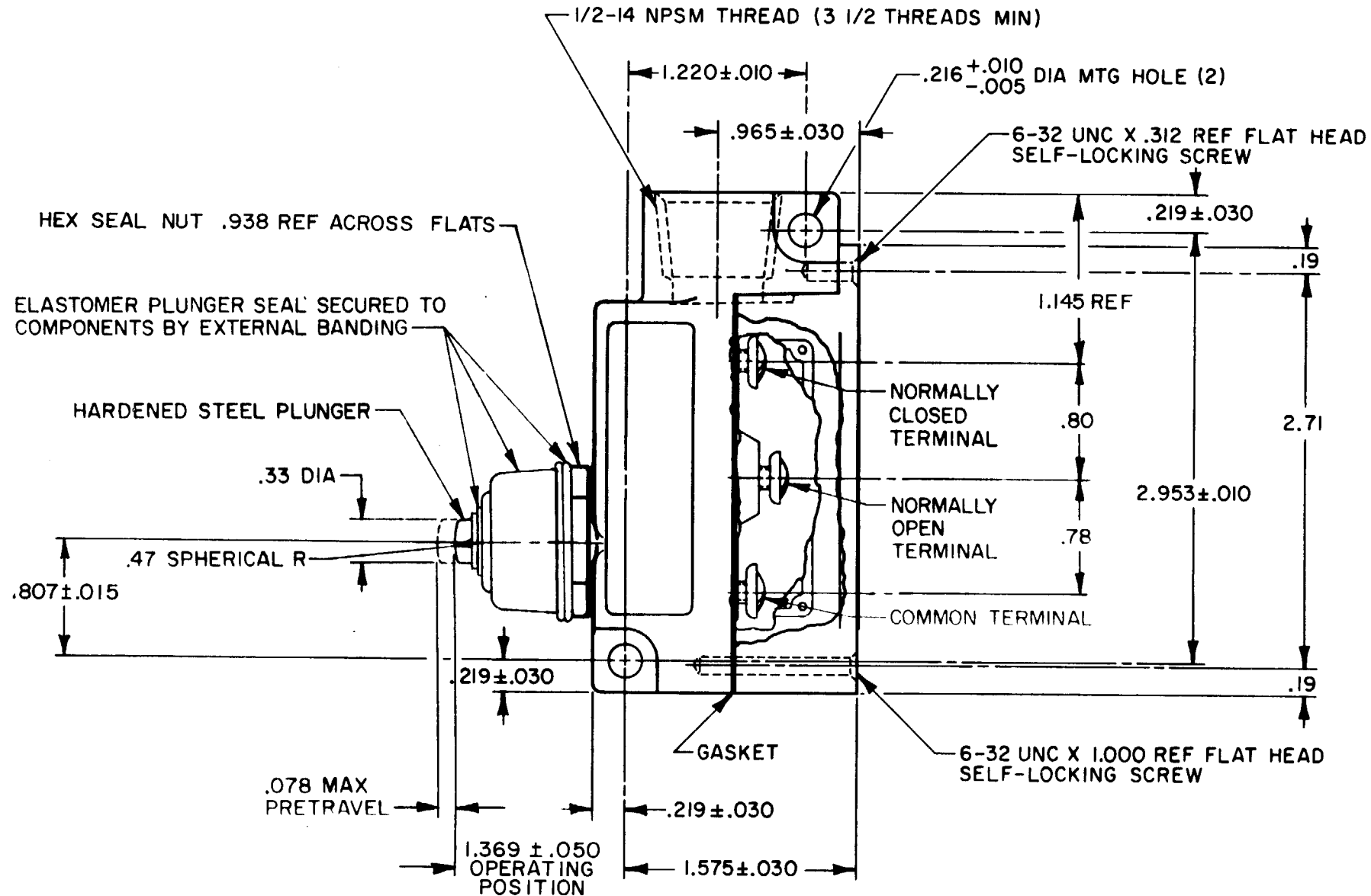
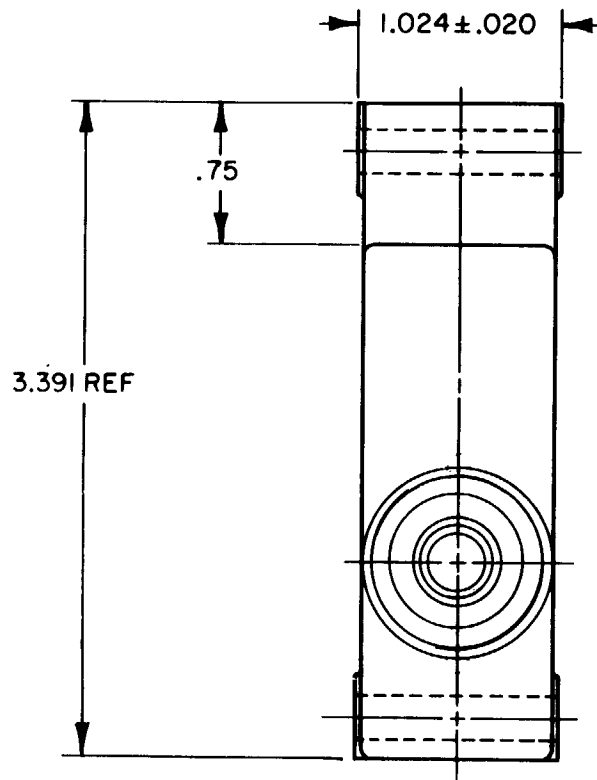
J A S

14

OCT

DRAWN

FO-92851-B



THIS DRAWING COVERS A PROPRIETARY ITEM AND IS THE PROPERTY OF MICRO SWITCH, A DIVISION OF HONEYWELL. THIS DRAWING IS NOT TO BE COPIED OR USED WITHOUT THE APPROVAL OF MICRO SWITCH.

CHARACTERISTICS	
OPERATING FORCE	15-39 OZ
RELEASE FORCE	10 OZ MIN
DIFFERENTIAL TRAVEL	.002 MAX
OVERTRAVEL	.219 MIN
SWITCH-BASIC REPLACEMENT	BZ-2RN7027

ELECTRICAL DATA	
CONTACT ARRANGEMENT S P D T	
L74	
1/5A 125, 250, OR 480VAC 2A 600 VAC	
1/8 HP 125 VAC, 1/4 HP 250 VAC	
1/2A 125 VDC, 1/4A 250 VDC	
RU	

SCALE FULL			
DO NOT SCALE PRINT			
TOLERANCES			
APPLY TO DESIGN UNITS. CONVERSIONS ARE ONLY FOR REFERENCE UNLESS NOTED. TOLERANCES ARE 2			
DIM.	TOL.	DIM.	TOL.
mm	mm/in	in	mm/in
NO PLACES	X	1/64	X X
ONE PLACE	X, X	0.47/018	X X
TWO PLACES	X, X, X	0.16/008	X, X, X
THREE PLACES	X, X, X, X		X, X, X, X
ANGLES			
SI METRIC		US CUSTOMARY	
<input type="checkbox"/>		<input checked="" type="checkbox"/>	
THIRD ANGLE PROJECTION			
WEIGHT			

NOTES
 1 - 6-32 UNC X .219 REF BINDING HEAD TERMINAL SCREW AND CUPWASHER (3)