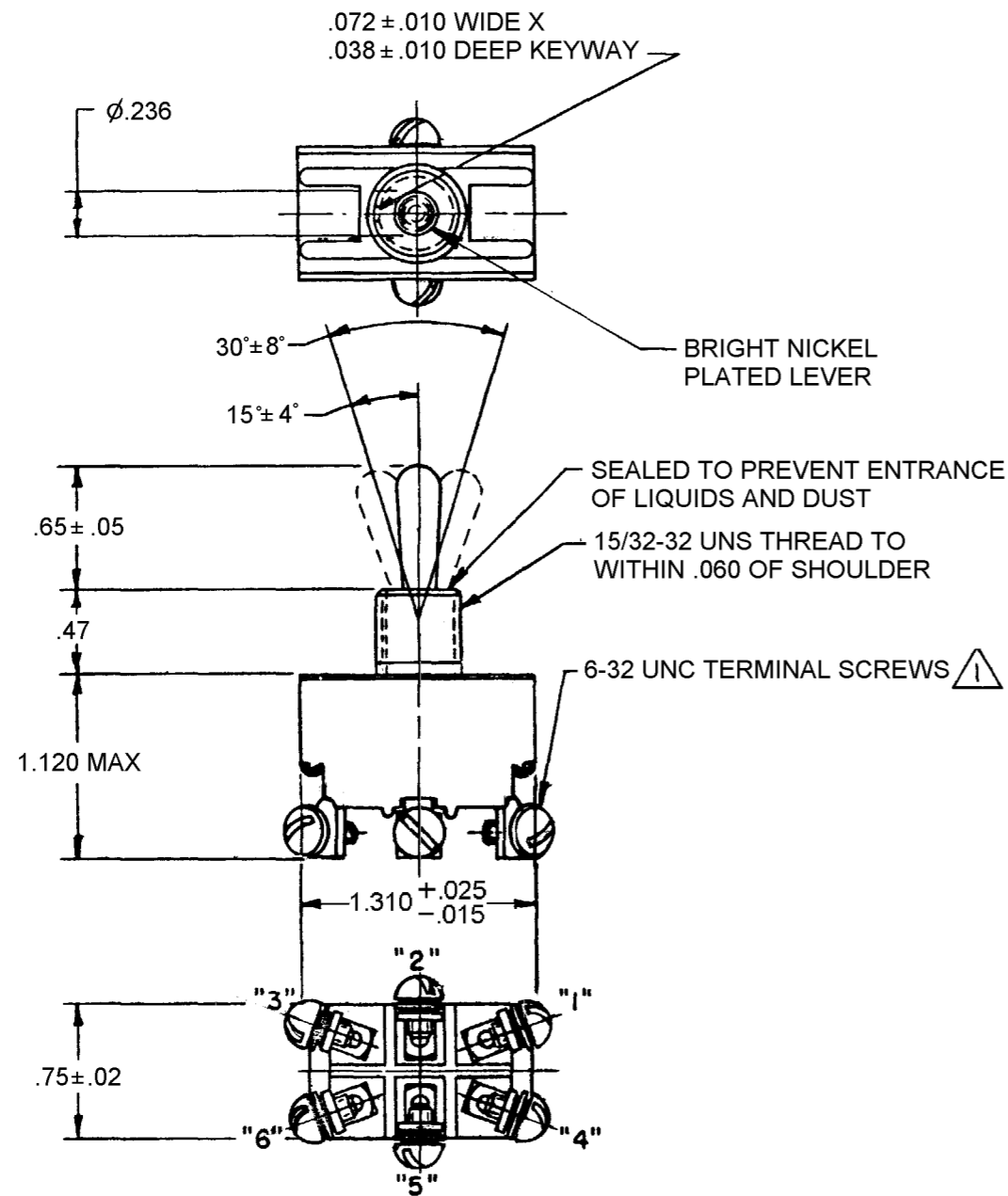


**MICRO SWITCH**  
 FREEPORT ILLINOIS U.S.A.  
 A DIVISION OF HONEYWELL  
 FED. MFG. CODE 91929

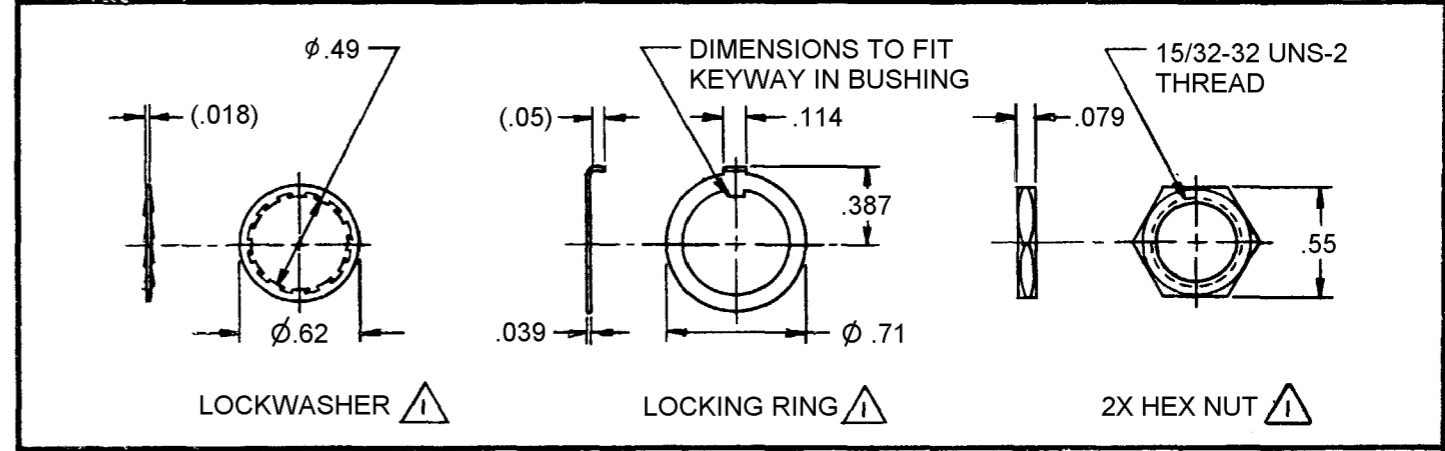
**SWITCH — TOGGLE**

CATALOG LISTING  
**12TS15 SERIES**  
**CHART 1**

THIS DRAWING COVERS A PROPRIETARY ITEM AND IS THE PROPERTY OF MICRO SWITCH. A DIVISION OF MINNEAPOLIS-HONEYWELL REGULATOR CO. THIS DRAWING IS NOT TO BE COPIED OR USED WITHOUT THE APPROVAL OF MICRO SWITCH.



CAT. LIST.	CIRCUIT WITH TOGGLE IN			ELECTRICAL DATA
	EXTREME POSITION KEYWAY 1-2 SIDE 4-5	CENTER	EXTREME POSITION OPPOSITE 2-3 SIDE 5-6	
I2TS15-1	ON	OFF	ON	L312 10A 277 VAC, 20A 125 VAC 1 1/2 HP 125, 250 VAC 
I2TS15-2	OFF	NONE	ON	
I2TS15-3	ON	NONE	ON	
(B)	NONE	OFF	ON	
I2TS15-4	MOM OFF	NONE	ON	
I2TS15-5	MOM ON	OFF	ON	
I2TS15-6	MOM ON	NONE	OFF	
I2TS15-7	MOM ON	OFF	MOM ON	
I2TS15-8	MOM ON	NONE	ON	



NOTES  
 1 FURNISHED UNASSEMBLED  
 2 - VISUAL DIFFERENCES IN TERMINAL SHAPES AND PLATING POSSIBLE

SCALE FULL  
 DO NOT SCALE PRINT  
 UNLESS OTHERWISE NOTED  
 DIMENSIONS ARE IN INCHES  
**TOLERANCES ARE:**  
 ONE PLACE ± .01 ± .030  
 TWO PLACE ± .001 ± .015  
 THREE PLACE ± .0001 ± .005  
 ANGLES  
 WEIGHT .10 LB MAX

12TS15 SERIES CHART 1  
 DRAWING NUMBER M  
 ISSUE 9  
 REVISIONS  
 A C080402 JALA 11 APR 95  
 B C093667 J A F 26 JAN 99  
 C 0001075 TRF 08 AUG 03  
 RASTER DRAWN J A H 29 AUG 72  
 CHECK L S D  
 RELEASE NO. PR-4599  
 REPLACES  
 CHECK J M G 28 OCT 72  
 CHECK L S D 28 OCT 72  
 CHECK L S D 28 OCT 72