



AML31FBE4AD



AML31 Series, Solid State Pushbutton, Rectangular, Standard Bezel, Lighted, 1 Incandescent Lamp, DPST NO Form X , Alternate Action, Snap in panel mount

Features

- Snap-in Surface mount
- UL recognized, CSA certified
- Lamp circuit independent of switch circuit
- Metric design for world wide acceptance
- Buttons can be custom legend

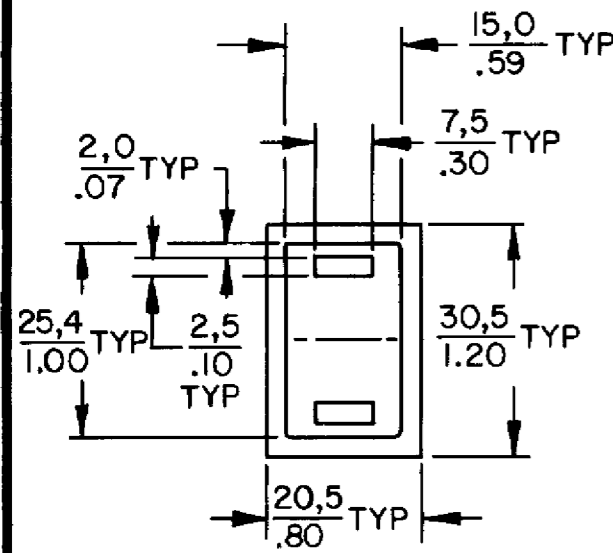
Notice

Button caps for MICRO SWITCH™ AML Pushbuttons are sold separately. Please see the links at the left for information on the buttons caps and other AML accessories.

Product Specifications	
Product Type	MICRO SWITCH™ Pushbutton
Housing Type	Rectangular
Circuitry	DPST NO Form X
Action	Alternate action
Mounting	Snap-in Panel
Lamp Type	Lighted, 1 Incandescent Lamp
Termination	.187 x .020 (Solder or Quick-Connect)
Ampere/Voltage Range (Resistive Load)	0.4-10 A @ 0.5-250 Vac, 0.4-10 A @ 0.5-30 Vdc
LED/Lamp/Neon Voltage	28 V Lamp
Comment	use AML51 button
Availability	Global
UNSPSC Code	30211913
UNSPSC Commodity	30211913 Push button switches
Series Name	AML31

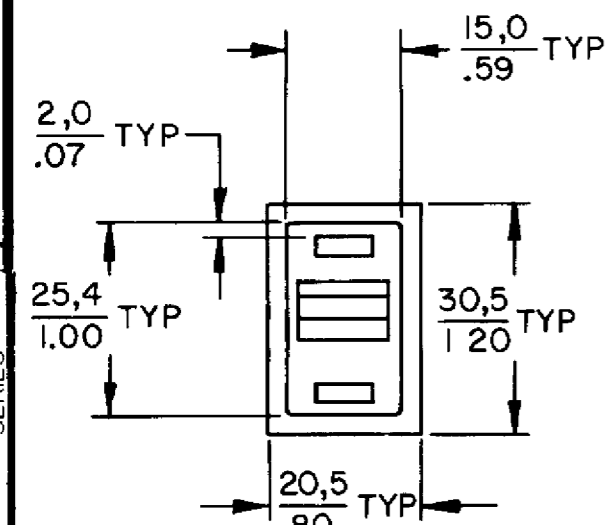
SOLID STATE SWITCH AML 10 SERIES AND ELECTRONIC CONTROL AML 20 SERIES

ACTUATORS FOR AML 10 SERIES & AML 20 SERIES



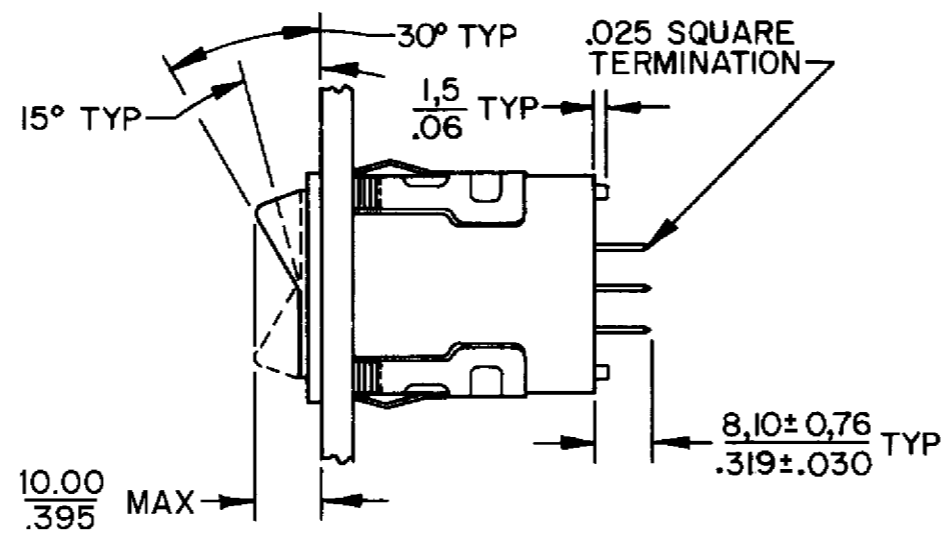
LED

NON ILLUMINATED AND INCANDESCENT

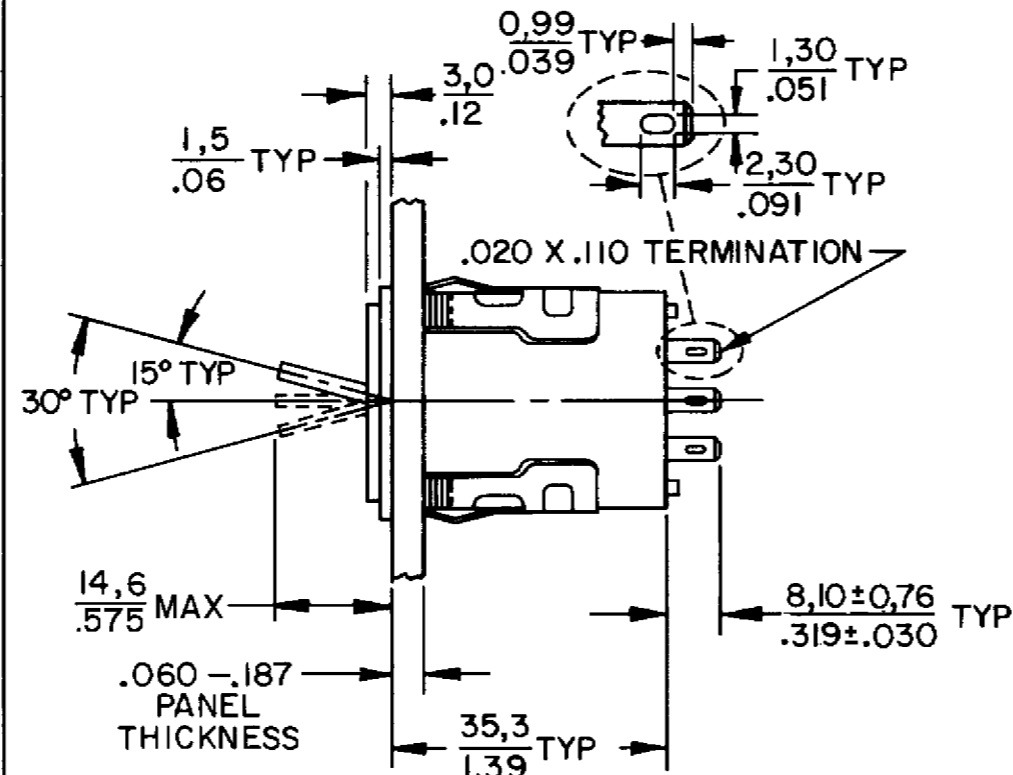


LED

NON ILLUMINATED AND INCANDESCENT

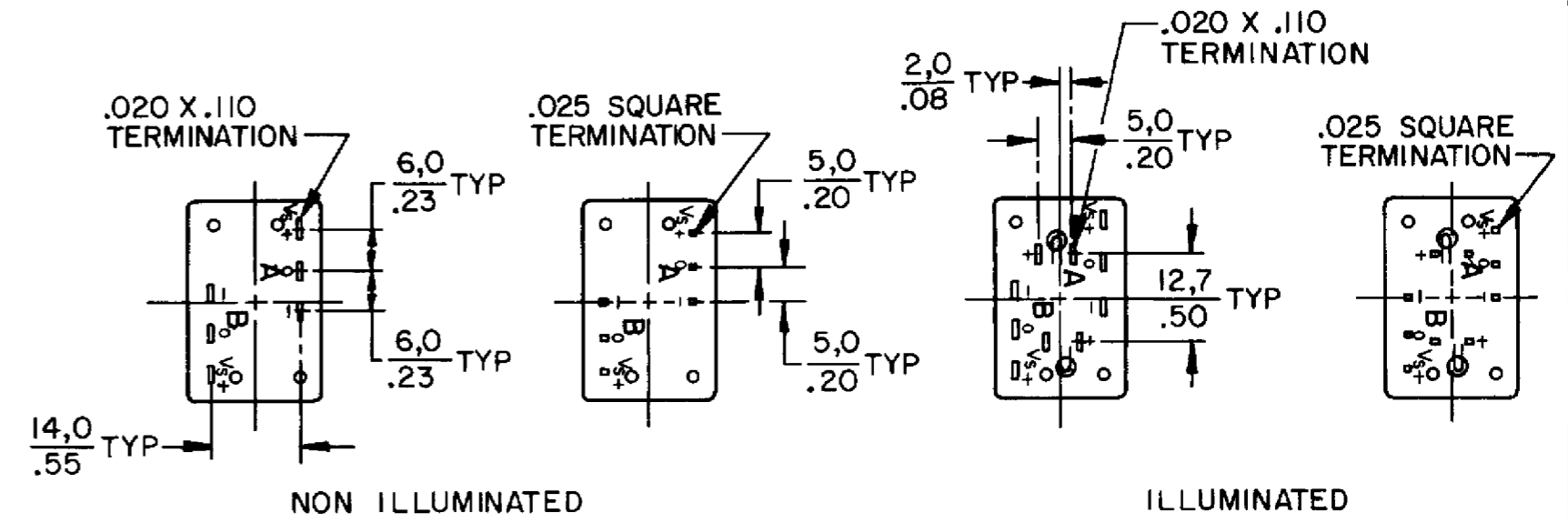


ROCKER



PADDLE

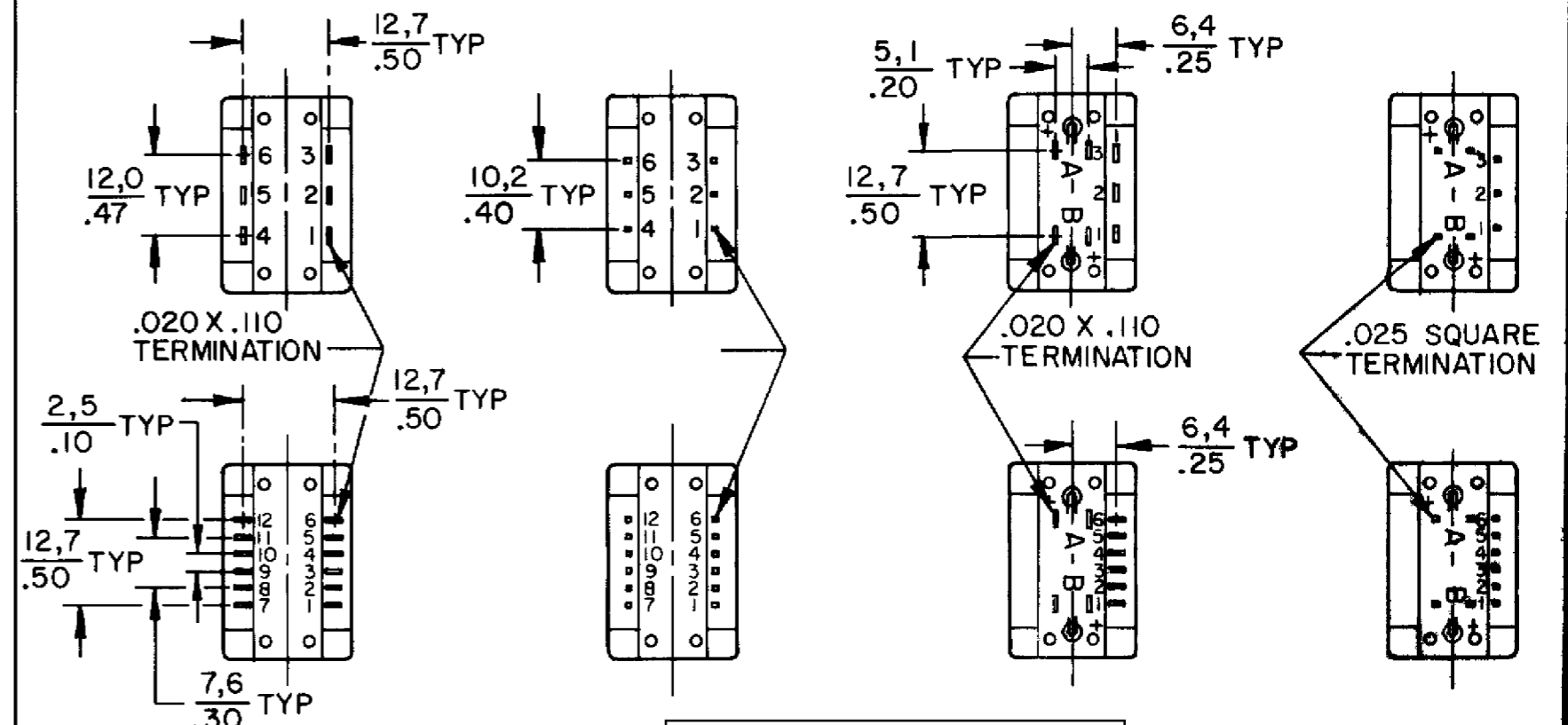
TERMINATION AML 10 SERIES



NON ILLUMINATED

ILLUMINATED

TERMINATION AML 20 SERIES



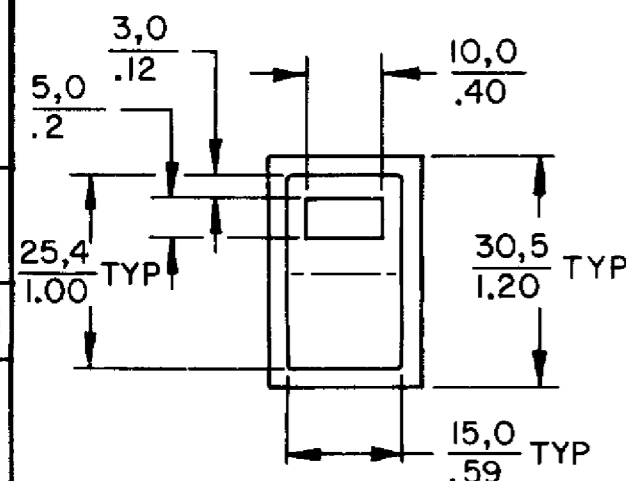
NON ILLUMINATED

AML24GBE2CA03-001 FAA-PMA

ILLUMINATED

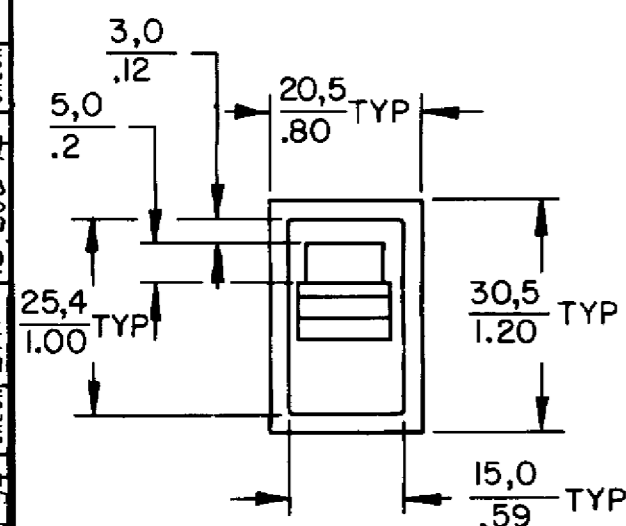
POWER SWITCH AML 30 SERIES

ACTUATORS FOR AML 30 SERIES



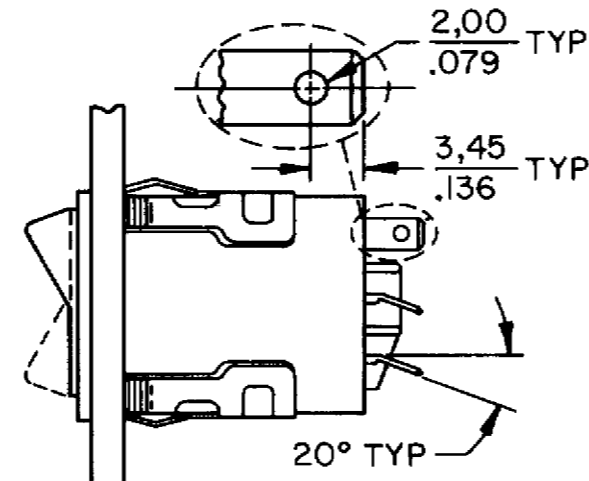
NEON

NON ILLUMINATED AND INCANDESCENT

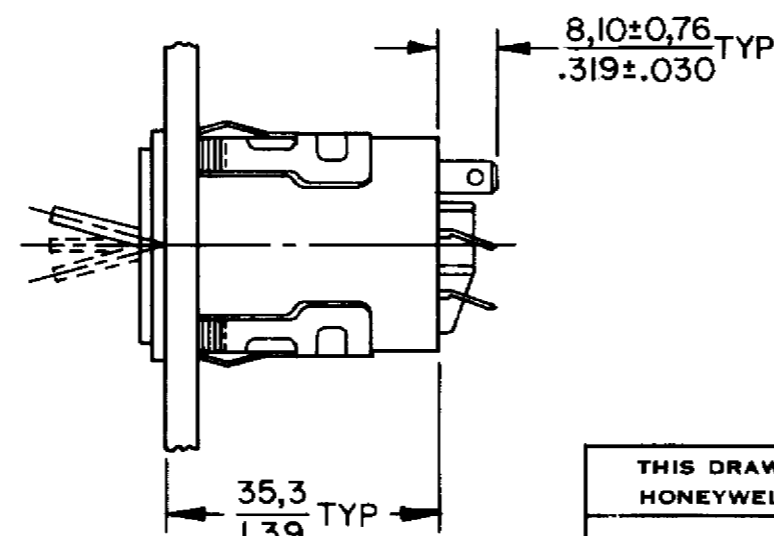


NEON

NON ILLUMINATED AND INCANDESCENT



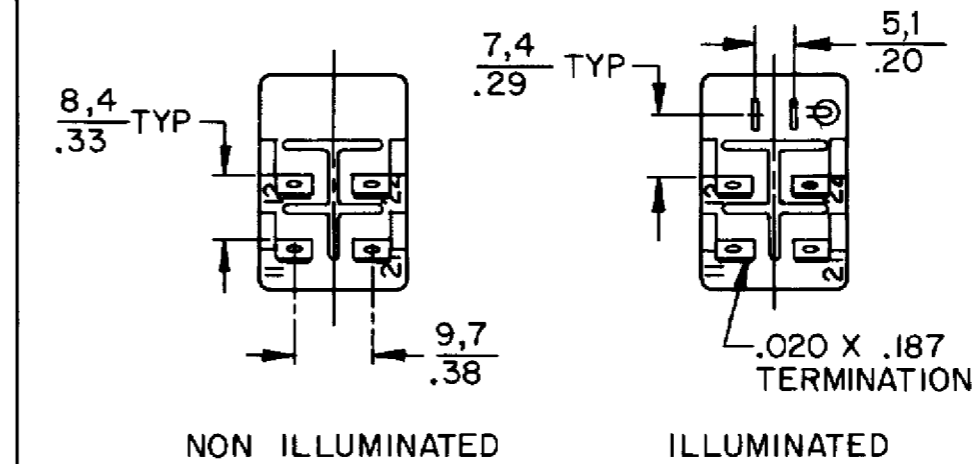
ROCKER



PADDLE

MASTER REDUCED

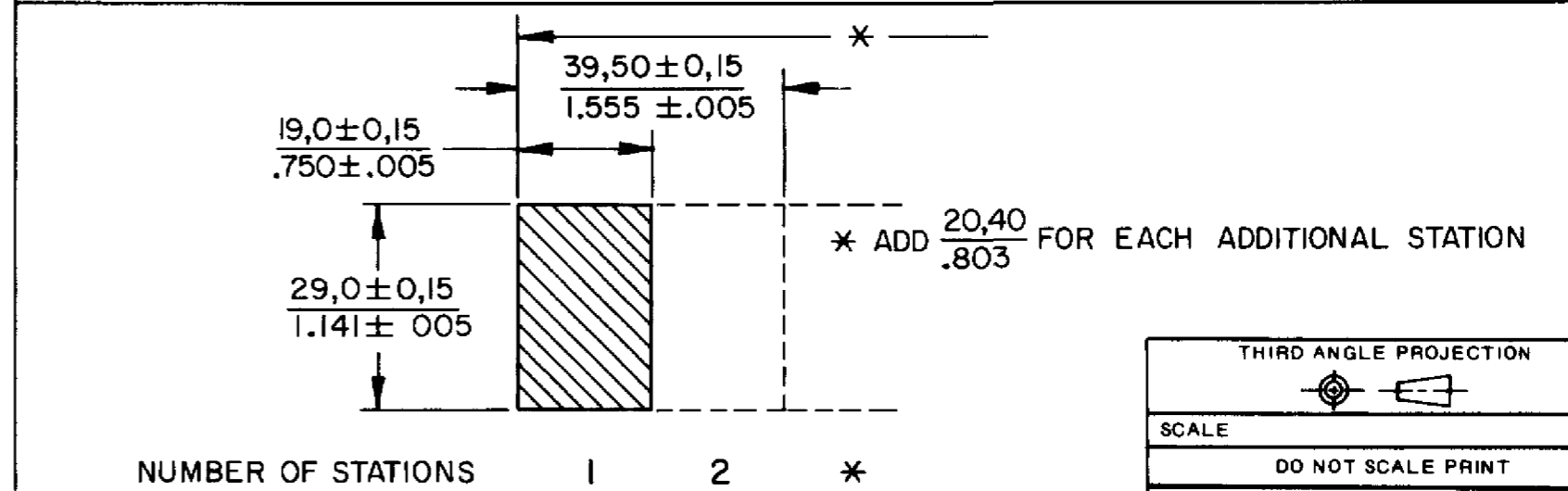
TERMINATION AML 30 SERIES



NON ILLUMINATED

ILLUMINATED

PANEL CUTOUTS FOR AML 10, 20 & 30 SERIES



NUMBER OF STATIONS

1

2

*

THIRD ANGLE PROJECTION

SCALE

DO NOT SCALE PRINT

UNLESS OTHERWISE SPECIFIED TOLERANCES ARE

ONE PLACE (.0) ± .030

TWO PLACE (.00) ± .015

THREE PLACE (.000) ± .005

ANGLES ±

WEIGHT

THIS DRAWING COVERS A PROPRIETARY ITEM AND IS THE PROPERTY OF MICRO SWITCH A DIVISION OF HONEYWELL THIS DRAWING IS NOT TO BE COPIED OR USED WITHOUT THE APPROVAL OF MICRO SWITCH

MICRO SWITCH
a Honeywell Division

AML PADDLE AND
ROCKER

AML10 20 30
SERIES CHART 1

FED MFG CODE 91929

CATALOG LISTING
PAGE 1 OF 1
ISSUE 13
REVISIONS
A 207432
14 FEB 03
B 0000447
C 1
2 JUN 03
DRAWN
SAD 10 JUN 94
CHECK JAF 12 JUL 94
CHECK
RASTER

AML 10 20 30
SERIES CHART 1
RELEASE NO CO-78498
REPLACES
AML 10 20 & 30
SERIES