



### 236PC15GW



*Actual product appearance may vary.*

**Pressure Sensors: Measurement Type:**  
**Gage, Vacuum Gage; Unamplified;**  
**Range:  $\pm 15.0$  psi**

#### Features

- Robust package
- Prewired
- Temperature compensated for span over 0 °C to 50 °C [32 °F to 122 °F]
- Calibrated null and span

#### Potential Applications

##### Medical

- Oxygen and nitrogen gas distribution in hospitals
- Respirators and ventilators

##### Environmental

- Water control valves
- Instrumentation
- Irrigation equipment

##### Industrial Instrumentation

- Robotics
- Pressure valves
- Leak detection
- Air compressors

#### Description

236PC Series pressure sensors provide a millivolt output that is proportional to the pressure applied. They operate from 0 psi to 5.0 psi and 0 psi to 150 psi using a single, positive supply voltage ranging from 10.0 Vdc to 16.0 Vdc.

Product Specifications	
Signal Conditioning	Unamplified
Pressure Range	$\pm 15.0$ psi
Maximum Overpressure	45.0 psi
Supply Voltage	10 Vdc typ., 16.0 Vdc max.
Compensated	No
Output Calibration	Yes
Response Time	1 ms max.
Port Style	Threaded 1/4-28 UNF
Package Style	Honeywell - 200PC
Typical Sensitivity	6.67 mV/psi

Full Scale Span	100 mVdc typ.
Null Offset	0 mV typ.
Null Shift over Temperature	± 3.0 mV typ.
Repeatability & Hysteresis Error	± 0.25 % span typ.
Shock	Qualification tested to 150 g
Vibration	MIL-STD-202 Method 213 (150 g half sine 11 ms)
Weight	57 g [2 oz]
Operating Temperature Range	-30 °C to 70 °C [-22 °F to 1581 °F]
Compensated Temperature Range	0 °C to 50 °C [32 °F to 122 °F]
Storage Temperature Range	-40 °C to 105 °C [-40 °F to 221 °F]
UNSPSC Code	411121
UNSPSC Commodity	411121 Transducers
Availability	Global
Series Name	236PC

**BRIDGE PRESSURE SENSOR 236PC SERIES CHART 1**

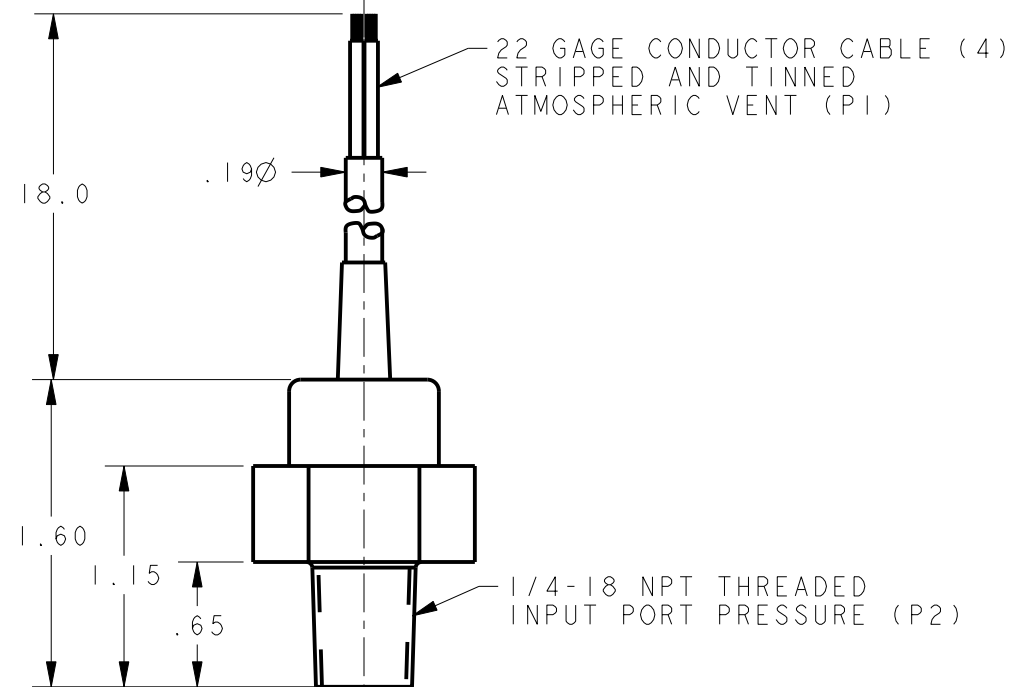
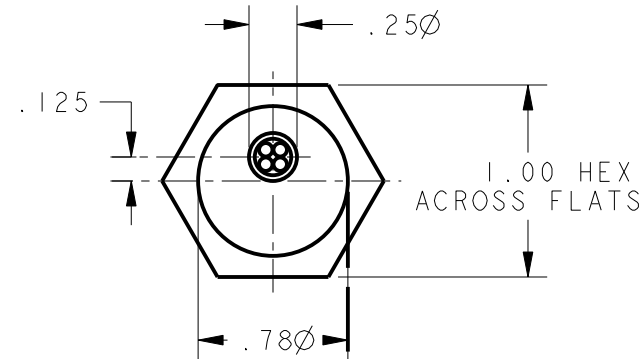
CATALOG LISTING

THIS DRAWING COVERS A PROPRIETARY ITEM AND IS THE PROPERTY OF MICRO SWITCH. A DIVISION OF HONEYWELL. THIS DRAWING IS NOT TO BE COPIED OR USED WITHOUT THE APPROVAL OF MICRO SWITCH

GENERAL OPERATING CHARACTERISTICS  
(ELECTRICAL PERFORMANCE AT 10.0 ± 0.01 VDC EXCITATION, 25°C)

CATALOG LISTING
ⓑ
236PC15GW
236PC30GW

PARAMETERS	PRESSURE RANGES (PSI)	MIN	TYP	MAX	UNITS
NULL OFFSET	ALL	-2	0	+2	MV
NULL SHIFT <sup>2</sup> 0° < 25°C > 50°			±3.0		
SPAN <sup>1</sup>	0 TO 05G	48	50	52	
	0 TO 15G	98	100	102	
	0 TO 30G	78	80	82	
SENSITIVITY PER PSI	0 TO 05G		10.00		MV/PSI
	0 TO 15G		6.67		
	0 TO 30G		2.67		
SENSITIVITY SHIFT <sup>2</sup> 0° < 25°C > 50° AT 10 VDC	ALL		±1.5		% SPAN
LINEARITY (P2 > P1) (BFSL)	0 TO 05G			±3.0	
	0 TO 15G			±2.5	
	0 TO 30G			±1.5	
REPEATABILITY & HYSTERESIS	ALL		±0.25		
STABILITY OVER 1 YEAR			±1.5		
EXCITATION VOLTAGE			10	16	VDC
INPUT RESISTANCE			6.8K		OHMS
OVERPRESSURE (P2 > P1)	0 TO 05G			20	PSI
	0 TO 15G			45	
	0 TO 30G			60	
TEMPERATURE STORAGE OPERATE COMPENSATED	ALL	-40° TO +105° C			(-40° TO +221° F)
		-30° TO +70° C			(-22° TO +158° F)
		0° TO +50° C			(+32° TO +122° F)



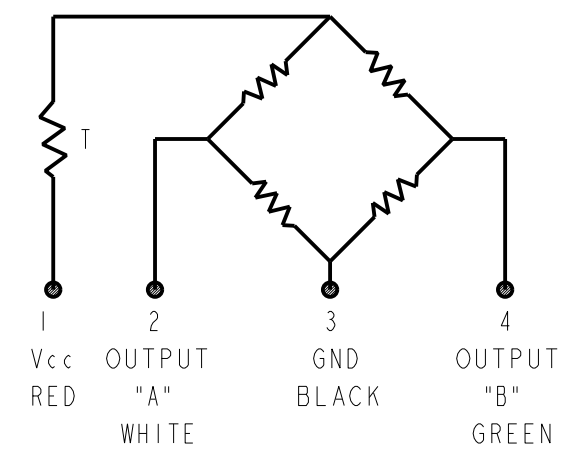
CATALOG LISTING 236PC SERIES CHART 1  
 PAGE 1 OF 1  
 RELEASE NO. PR-12997  
 27 AUG 07  
 CMH  
 CHECK  
 20CT02  
 SAV  
 CHECK  
 20CT02  
 GLH  
 DRAWN  
 PTC/CAD 2D

REVISIONS

A	206541	GLH	20CT02
B	0033081	DDN	27 AUG 07

- NOTES
- SPAN IS THE ALGEBRAIC DIFFERENCE BETWEEN END POINTS (OUTPUT AT MINIMUM AND MAXIMUM PRESSURE)
  - TEMPERATURE ERROR IS CALCULATED WITH RESPECT TO 25°C AND EXPRESSES THE DEVIATION THAT COULD OCCUR AS TEMPERATURE IS RAISED OR LOWERED TO LIMITS INDICATED
  - PRESSURE MEDIUM CAN BE LIQUID OR GASEOUS, SO LONG AS IT DOES NOT REACT WITH SILICON, GLASS, 300 SERIES STAINLESS STEEL OR URETHANE BASED EPOXY

CIRCUIT DIAGRAM



OUTPUT "A"  
INCREASES AS INPUT  
PRESSURE INCREASES

OUTPUT "B"  
DECREASES AS INPUT  
PRESSURE DECREASES

THIRD ANGLE PROJECTION

SCALE FULL

DO NOT SCALE PRINT

UNLESS OTHERWISE SPECIFIED TOLERANCES ARE

ONE PLACE	(.0)	±.030
TWO PLACE	(.00)	±.015
THREE PLACE	(.000)	±.005
ANGLES		±

WEIGHT 2.0Z