

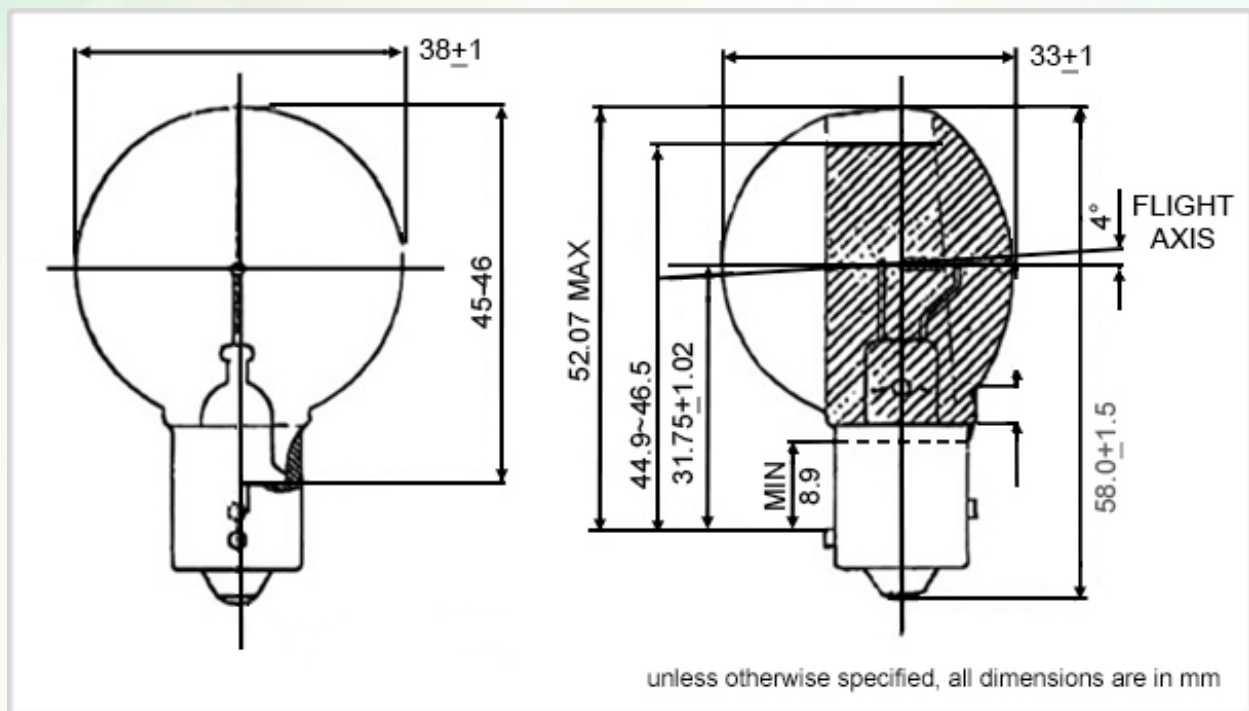
# GG-12A AIRCRAFT WARNING LAMP

## SINGLE CONTACT INDEX BAYONET BASE

28V 40W

WAMCO PART NO.		ENVELOPE SIZE		BASE TYPE	RATING	FILAMENT SHAPE
WL-A-7079B-24		GG-12A		BAY15s	28V 40W	CC-6
TEST VOLTS	CURRENT (A)			LIGHT DISTRIBUTION		LIFE HRS
	MIN	NOM	MAX	4800 CANDLE POWER MINIMUM ON REFLECTOR AXIS HORIZONTAL AND VERTICAL BEAM SPREAD TO 480 CANDLE POWER, 20° MINIMUM		
28V	1.32	1.43	1.54			150

## DIMENSIONAL CHARACTERISTICS



## NOTES

1. Finish clear, except where reflective surface is required
2. Reflective coating must conform to the coating adhesion requirements of MIL-L-6363F, paragraph 4.6.6
3. Part mark WL-A-7079B-24, 28V, 40W, and M6363/1-1
4. RoHS compliant
5. ANSI trade number 7079
6. Military Standard numbers M6363/1-1, MS25338-7079
7. QPL certified

