

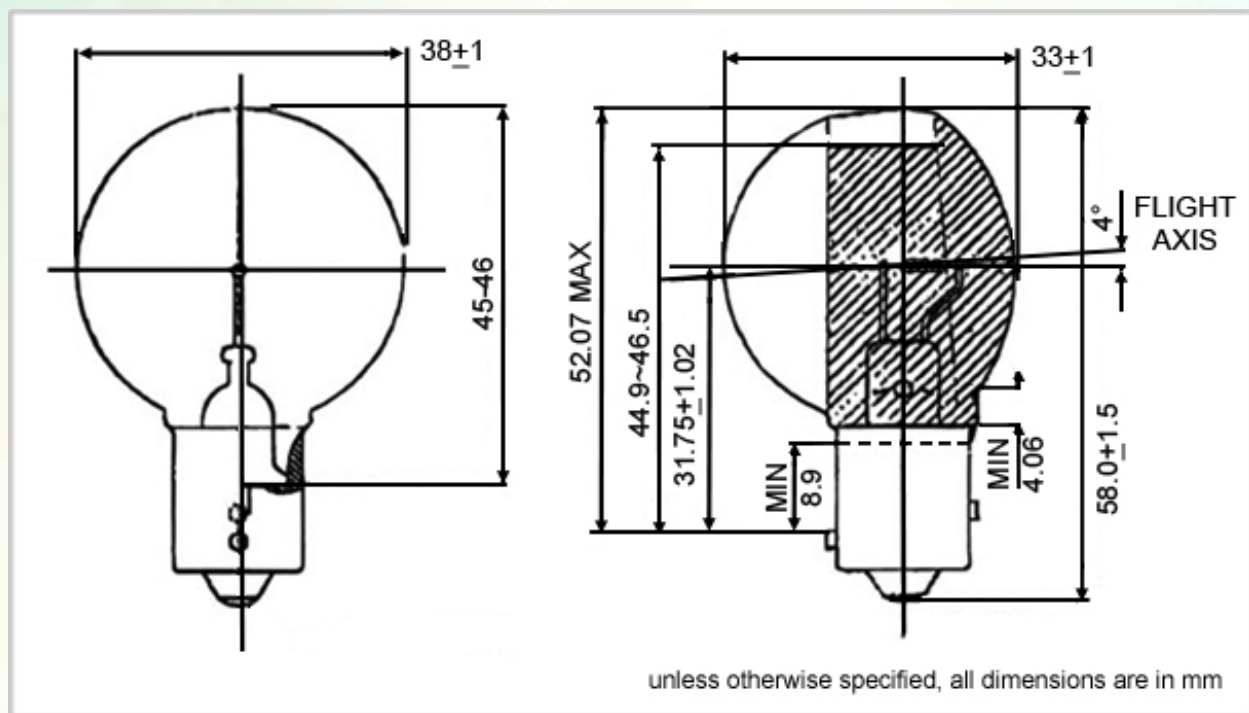
# GG-12A AIRCRAFT WARNING LAMP

## SINGLE CONTACT INDEX BAYONET BASE

14V 40W

| WAMCO PART NO. |             | ENVELOPE SIZE |      | BASE TYPE   | RATING   | FILAMENT SHAPE |
|----------------|-------------|---------------|------|---|----------|----------------|
| WL-A-7079B-12  |             | GG-12A        |      | BAY15s  | 14V 40W  | C-6            |
| TEST VOLTS     | CURRENT (A) |               |      | LIGHT DISTRIBUTION  | LIFE HRS |                |
|                | MIN         | NOM           | MAX  |   |          |                |
| 14V            | 2.65        | 2.86          | 3.07 | 4800 CANDLE POWER MINIMUM ON REFLECTOR AXIS<br>HORIZONTAL AND VERTICAL BEAM SPREAD TO 480 CANDLE POWER, 20° MINIMUM | 150      |                |

### DIMENSIONAL CHARACTERISTICS



### NOTES

1. Finish clear, except where reflective surface is required
2. Reflective coating must conform to the coating adhesion requirements of MIL-L-6363F, paragraph 4.6.6
3. Part mark WL-A-7079B-12, 14V, 40W
4. RoHS compliant
5. ANSI trade number 7079-12, ARP881 7079B-12

