

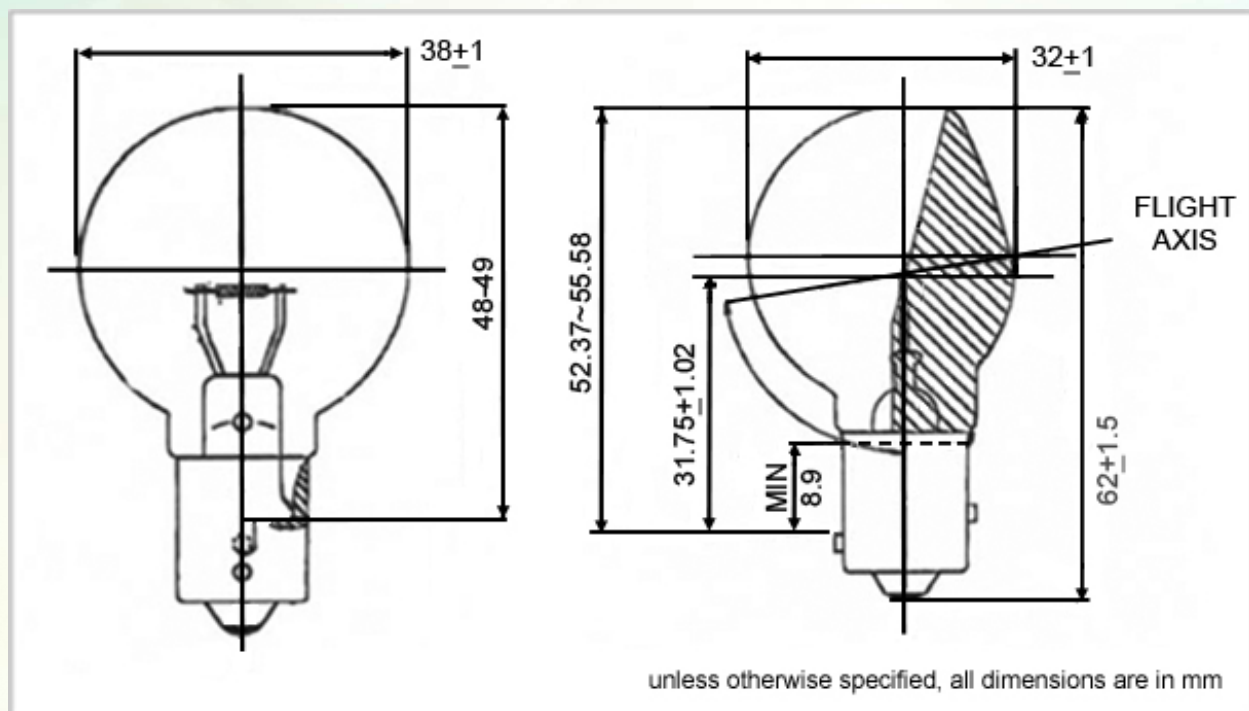
GG-12B AIRCRAFT WARNING LAMP

SINGLE CONTACT INDEX BAYONET BASE

28V 40W

WAMCO PART NO.		ENVELOPE SIZE		BASE TYPE	RATING	FILAMENT SHAPE
WL-A-4174-24		GG-12B		BAY15s	28V 40W	CC-6
TEST VOLTS	CURRENT (A)			LIGHT DISTRIBUTION		LIFE HRS
	MIN	NOM	MAX	300 CANDLE POWER MINIMUM ON REFLECTOR AXIS HORIZONTAL AND VERTICAL BEAM SPREAD TO 150 CANDLE POWER, 40° MINIMUM		
28V	1.32	1.43	1.54			300

DIMENSIONAL CHARACTERISTICS



NOTES

1. Finish clear, except where reflective surface is required
2. Reflective coating must conform to the coating adhesion requirements of MIL-L-6363F, paragraph 4.6.6
3. Part mark WL-A-4174-24, 28V, 40W and M6363/3-1
4. RoHS compliant
5. ANSI trade number 4174
6. Military Standards M6363/3-1, MS24513-4174
7. QPL certified

