

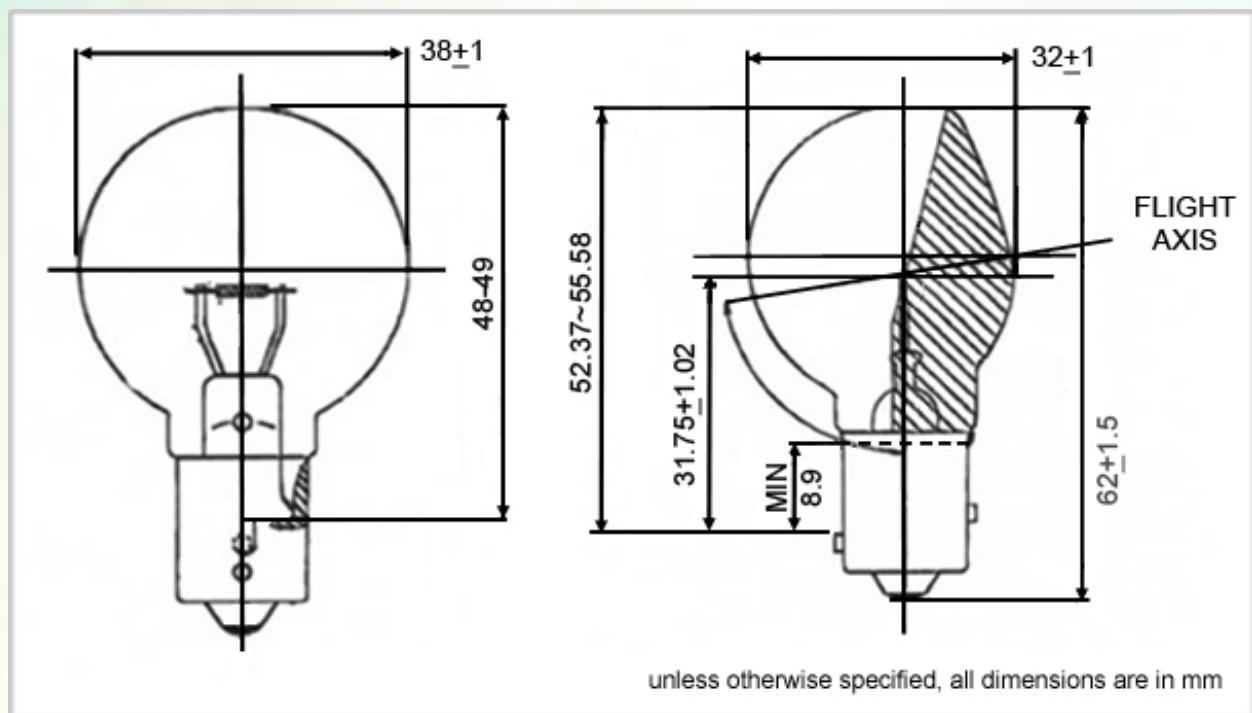
# GG-12B AIRCRAFT WARNING LAMP

## SINGLE CONTACT INDEX BAYONET BASE

14V 40W

WAMCO PART NO.		ENVELOPE SIZE		BASE TYPE	RATING	FILAMENT SHAPE
WL-A-4174-12		GG-12B		BAY15s	14V 40W	C-6
TEST VOLTS	CURRENT (A)			LIGHT DISTRIBUTION		LIFE HRS
	MIN	NOM	MAX	300 CANDLE POWER MINIMUM ON REFLECTOR AXIS HORIZONTAL AND VERTICAL BEAM SPREAD TO 150 CANDLE POWER, 40° MINIMUM		
14V	2.65	2.86	3.07			300

## DIMENSIONAL CHARACTERISTICS



## NOTES

1. Finish clear, except where reflective surface is required
2. Reflective coating must conform to the coating adhesion requirements of MIL-L-6363F, paragraph 4.6.6.
3. Part mark WL-A-4174-12, 14V, 40W
4. RoHS compliant
5. ANSI trade number 4174-12, ARP881 4174-12

