

T-1 SHORT WIRE TERMINAL

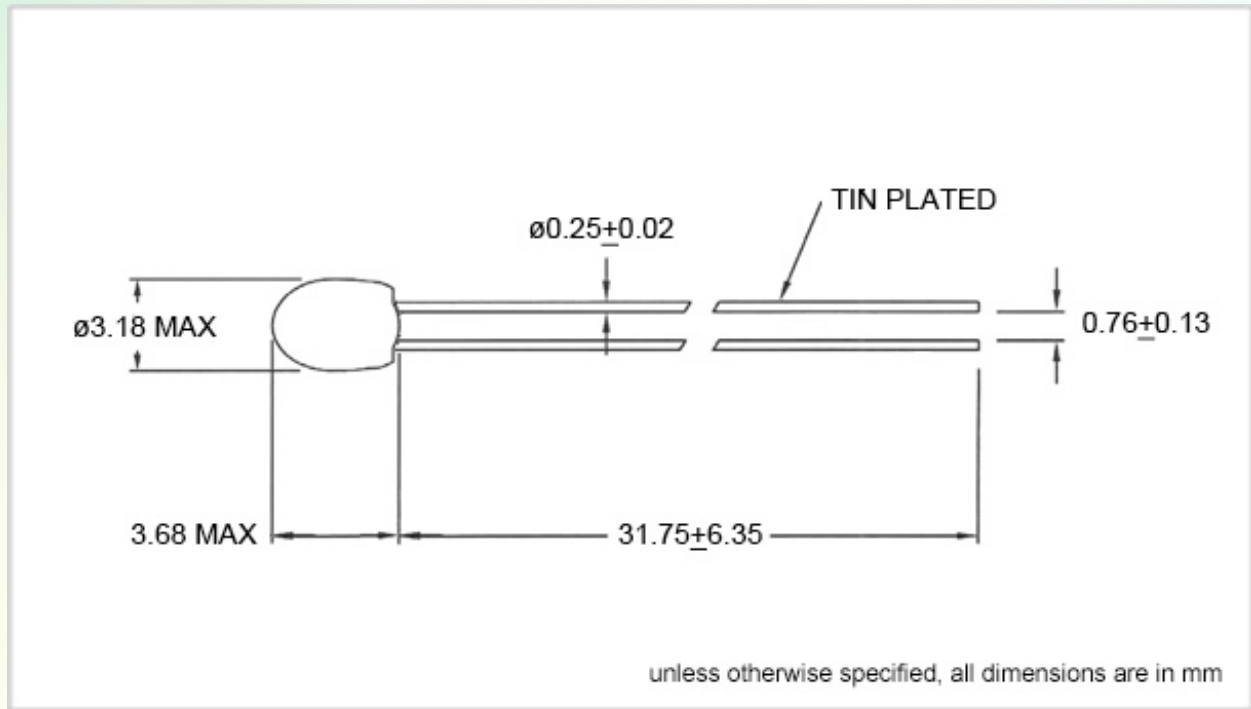
SUBMINIATURE LAMP

5V 75mA

WAMCO PART NO.	ENVELOPE SIZE	BASE TYPE	RATING	FILAMENT SHAPE
WL-7132AS15	T-1 SHORT	WT	5V 75mA	C-2R

TEST VOLTS	CURRENT (mA)			LIGHT OUTPUT (MSCP)			LIFE HRS
	MIN	NOM	MAX	MIN	NOM	MAX	
5V	67.5	75.0	82.5	.076	.090	.104	40,000

DIMENSIONAL CHARACTERISTICS



NOTES

1. RoHS compliant
2. ANSI trade number 7132 AS15
3. Military standard MS90451-7132

