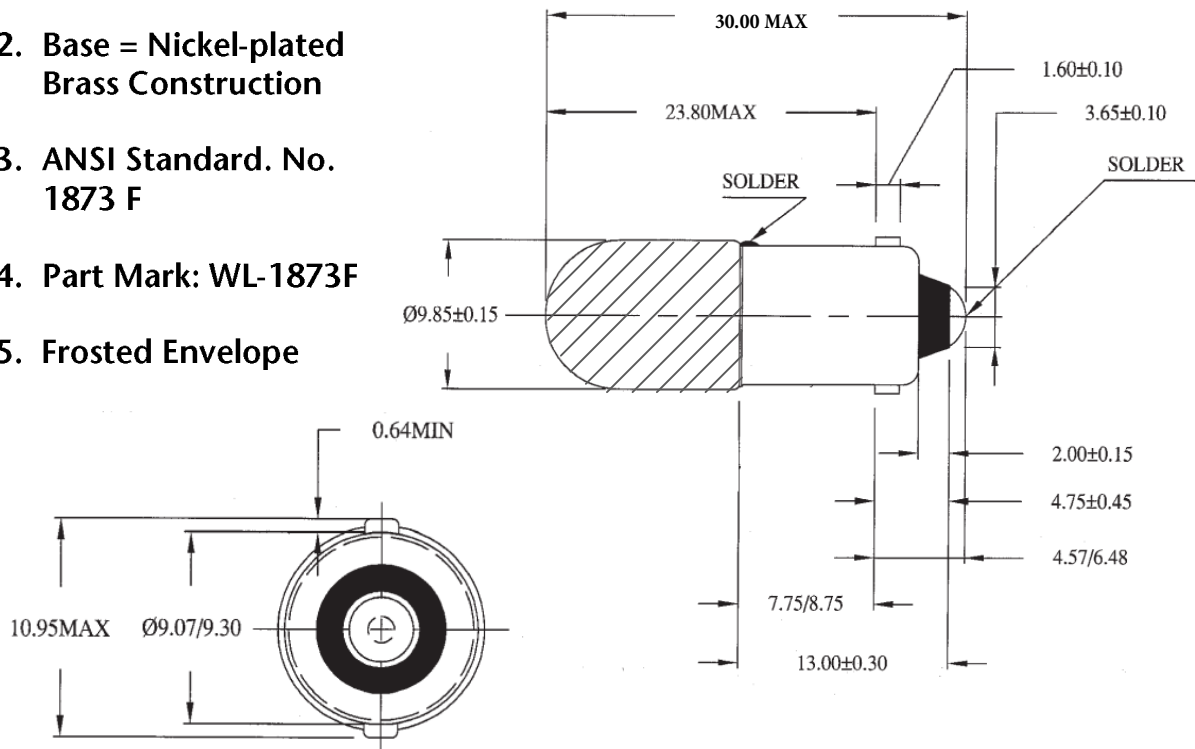


Wamco Part No.	Envelope Size	Base Type	Rating	Filament Shape
WL-1873F	T-3¼	BA9s	28V .20A	C-2F

Test Volts	Current (A)			Light Output (MSCP)			Life Hours
	Min.	Nom.	Max.	Min.	Nom.	Max	
28V	.180	.200	.220	—	Not Rated	—	7,000 Hrs

### Dimensional Characteristics:

1. L.C.L = .78" (19.4mm)
2. Base = Nickel-plated Brass Construction
3. ANSI Standard. No. 1873 F
4. Part Mark: WL-1873F
5. Frosted Envelope



RoHS Compliant

			Title:	
			T-3¼ Frosted Miniature Bayonet Base Lamp	
			28V .20A Vacuum (Frost)	
Revised	06/14/12	EB		
Drawn	06/29/09	SL		
Checked	06/29/09	EB		
Approved	06/30/09	EB		
			Notes:	Rev:
			Unless otherwise specified, all dimensions are in mm.	3