

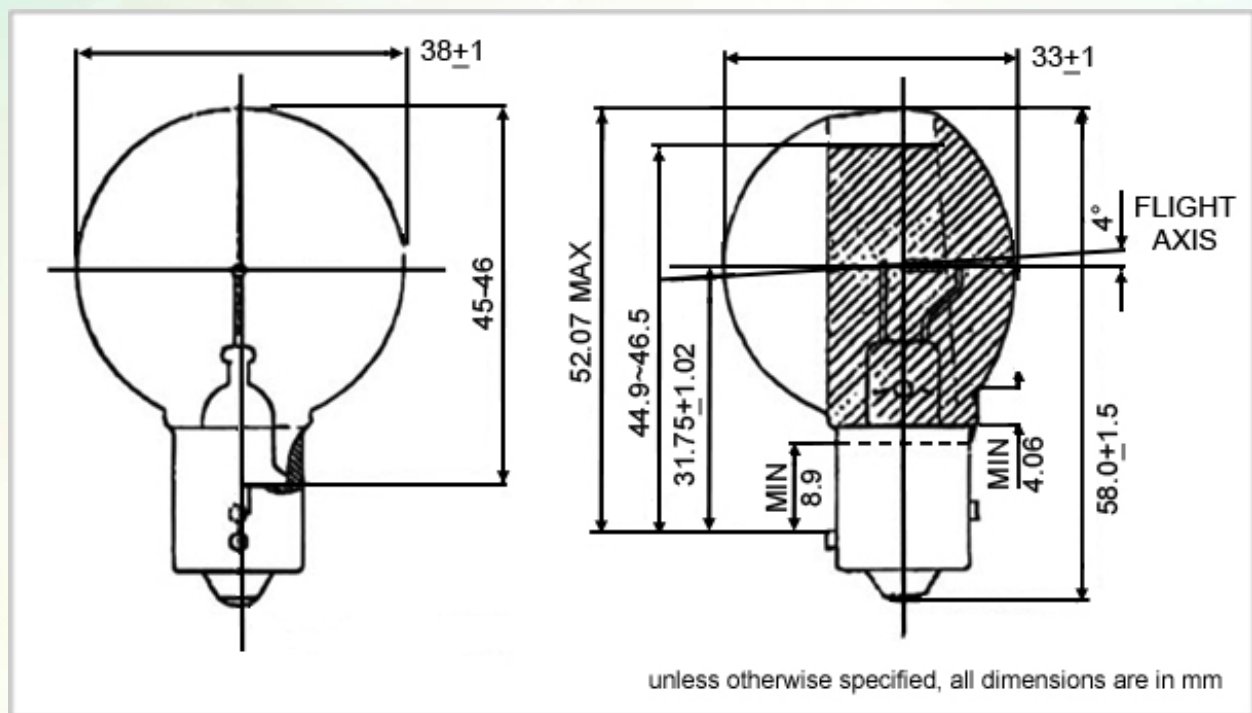
GG-12A AIRCRAFT WARNING LAMP

SINGLE CONTACT INDEX BAYONET BASE

6.2V 40W

WAMCO PART NO.		ENVELOPE SIZE		BASE TYPE	RATING	FILAMENT SHAPE
WL-16870		GG-12A		BAY15s	6.2V 40W	C-6
TEST VOLTS	CURRENT (A)			LIGHT DISTRIBUTION		LIFE HRS
	MIN	NOM	MAX	4800 CANDLE POWER MINIMUM ON REFLECTOR AXIS HORIZONTAL AND VERTICAL BEAM SPREAD TO 480 CANDLE POWER, 20° MINIMUM		
6.2V	6.00	6.45	6.90			150

DIMENSIONAL CHARACTERISTICS



NOTES

1. Finish clear, except where reflective surface is required
2. Reflective coating must conform to the coating adhesion requirements of MIL-L-6363F, paragraph 4.6.6
3. Part mark WL-16870, 6.2V, 40W and M6363/1-3
4. RoHS compliant
5. ANSI trade number 1687
6. Military Standards M6363/1-3, MS25338-1687
7. QPL certified

