

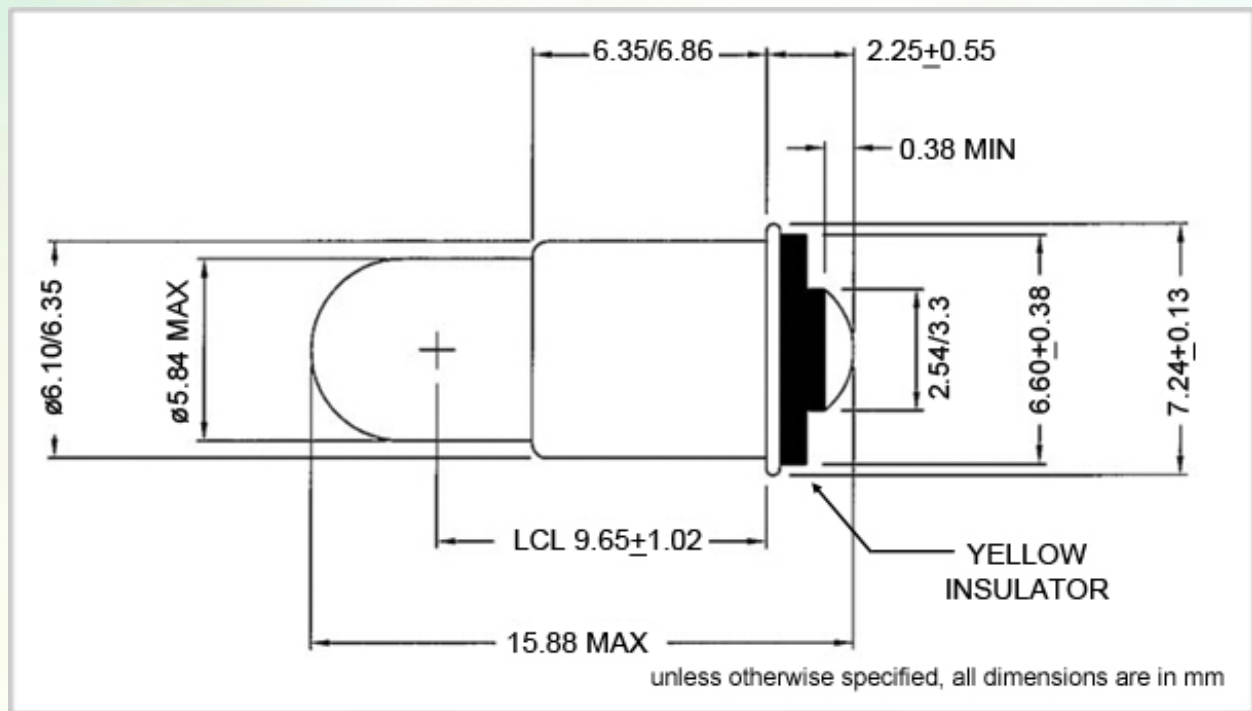
# T-1<sup>3</sup>/<sub>4</sub> MIDGET FLANGE BASE

## SUBMINIATURE LAMP

14V 100mA

WAMCO PART NO.	ENVELOPE SIZE	BASE TYPE	RATING	FILAMENT SHAPE			
WL-8918	T-1 <sup>3</sup> / <sub>4</sub>	MF	14V 100mA	C-2F			
TEST VOLTS	CURRENT (mA)			LIGHT OUTPUT (MSCP)			LIFE HRS
	MIN	NOM	MAX	MIN	NOM	MAX	
14V	90	100	110	.375	.500	.625	10,000

## DIMENSIONAL CHARACTERISTICS



## NOTES

1. Part mark WL-8918
2. Yellow insulator
3. RoHS compliant
4. ANSI trade number 8918

