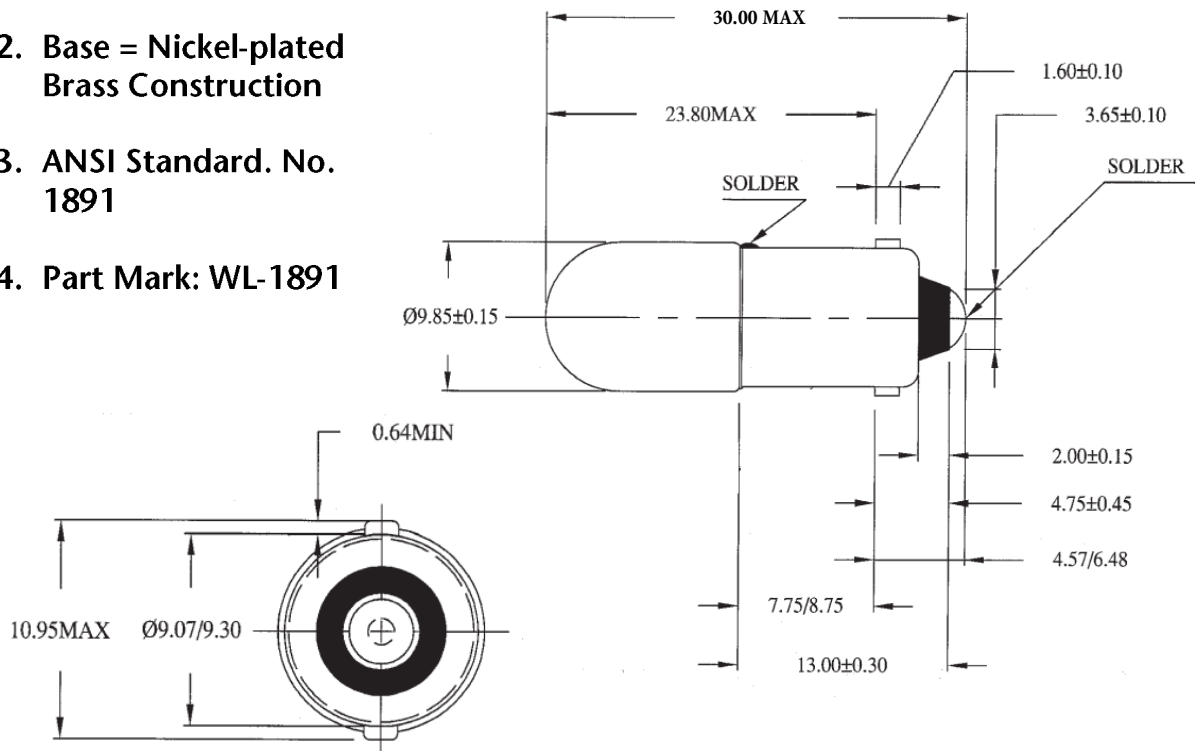


Wamco Part No.	Envelope Size	Base Type	Rating	Filament Shape
WL-1891	T-3¼	BA9s	14V .24A	C-2F

Test Volts	Current (mA)			Light Output (MSCP)			Life Hours
	Min.	Nom.	Max.	Min.	Nom.	Max	
14	.216	.240	.264	1.5	2.0	2.5	500 Hrs

Dimensional Characteristics:

1. L.C.L = .63" (16mm)
2. Base = Nickel-plated Brass Construction
3. ANSI Standard. No. 1891
4. Part Mark: WL-1891



RoHS Compliant

			Title:		
			T-3¼ Miniature Bayonet Base Lamp 14V .24A Vacuum		
Drawn	01/24/12	SL	Notes: Unless otherwise specified, all dimensions are in mm.	Rev:	
Checked	01/24/12	EB			1
Approved	01/24/12	EB			