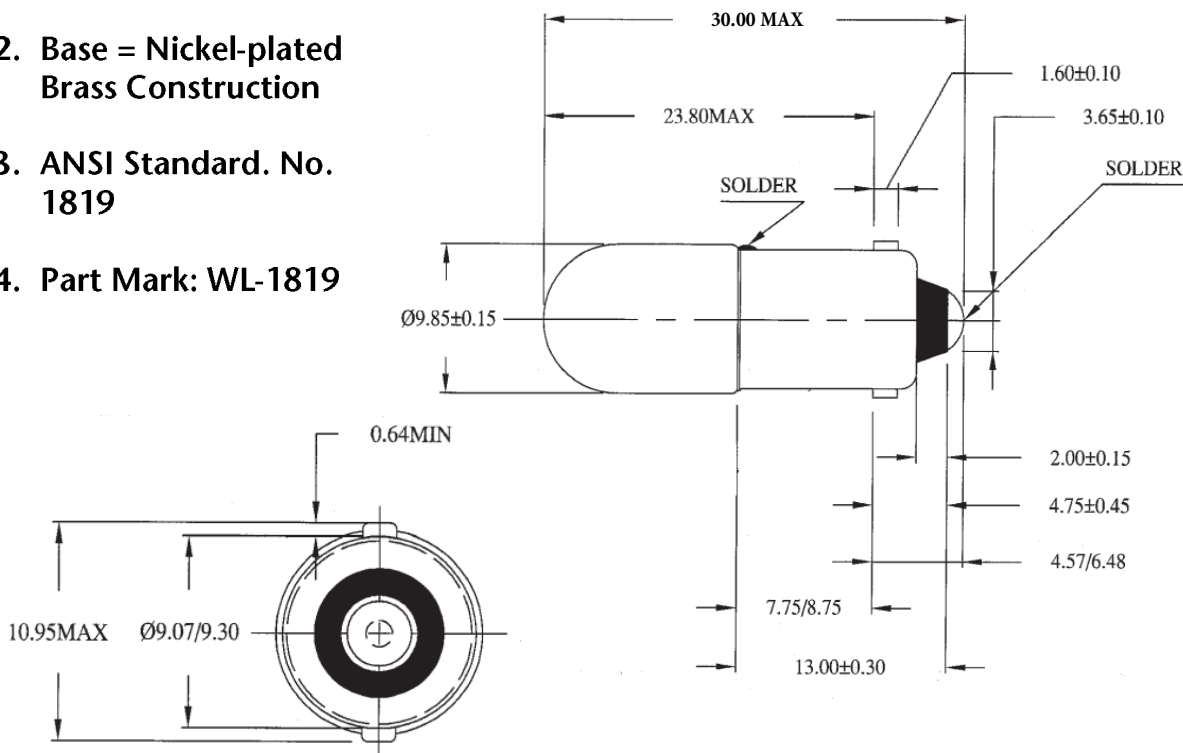


| Wamco Part No. | Envelope Size | Base Type | Rating | Filament Shape |
|----------------|---------------|-----------|----------|----------------|
| WL-1819 | T-3¼ | BA9s | 28V 40mA | C-2F |

| Test Volts | Current (mA) | | | Light Output (MSCP) | | | Life Hours |
|------------|--------------|------|------|---------------------|------|------|------------|
| | Min. | Nom. | Max. | Min. | Nom. | Max | |
| 28.0 | 36 | 40 | 44 | .272 | .340 | .408 | 2,500 Hrs |

Dimensional Characteristics:

1. L.C.L = .63" (16mm)
2. Base = Nickel-plated Brass Construction
3. ANSI Standard. No. 1819
4. Part Mark: WL-1819



RoHS Compliant

| | | | Title: | | |
|----------|----------|----|---|--|------|
| | | | T-3¼ Miniature Bayonet Base Lamp 28V 40A Vacuum | | |
| Revised | 01/24/12 | EB | Notes: Unless otherwise specified, all dimensions are in mm. | | Rev: |
| Drawn | 06/22/00 | SL | | | 1 |
| Checked | 06/22/00 | EB | | | |
| Approved | 06/22/00 | EB | | | |