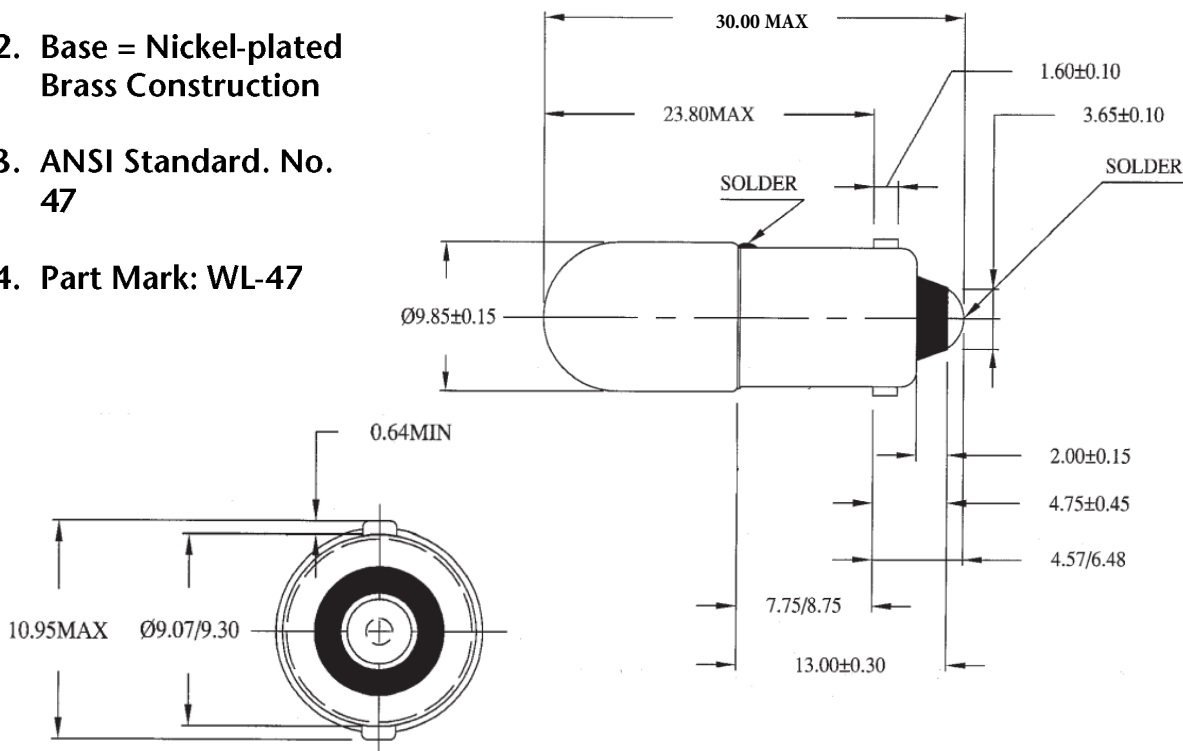


Wamco Part No.	Envelope Size	Base Type	Rating	Filament Shape
WL-47	T-3¼	BA9s	6.3V .150A	C-2R

Test Volts	Current (A)			Light Output (MSCP)			Life Hours
	Min.	Nom.	Max.	Min.	Nom.	Max	
6.3	.135	.150	.165	.375	.500	.625	3,000 Hrs

Dimensional Characteristics:

1. L.C.L = .78" (19.8mm)
2. Base = Nickel-plated Brass Construction
3. ANSI Standard. No. 47
4. Part Mark: WL-47



RoHS Compliant

			Title:			
			T-3¼ Miniature Bayonet Base Lamp 6.3V .150A Vacuum			
Drawn	01/24/12	SL		Notes: Unless otherwise specified, all dimensions are in mm.	Rev:	
Checked	01/24/12	EB				1
Approved	01/24/12	EB				