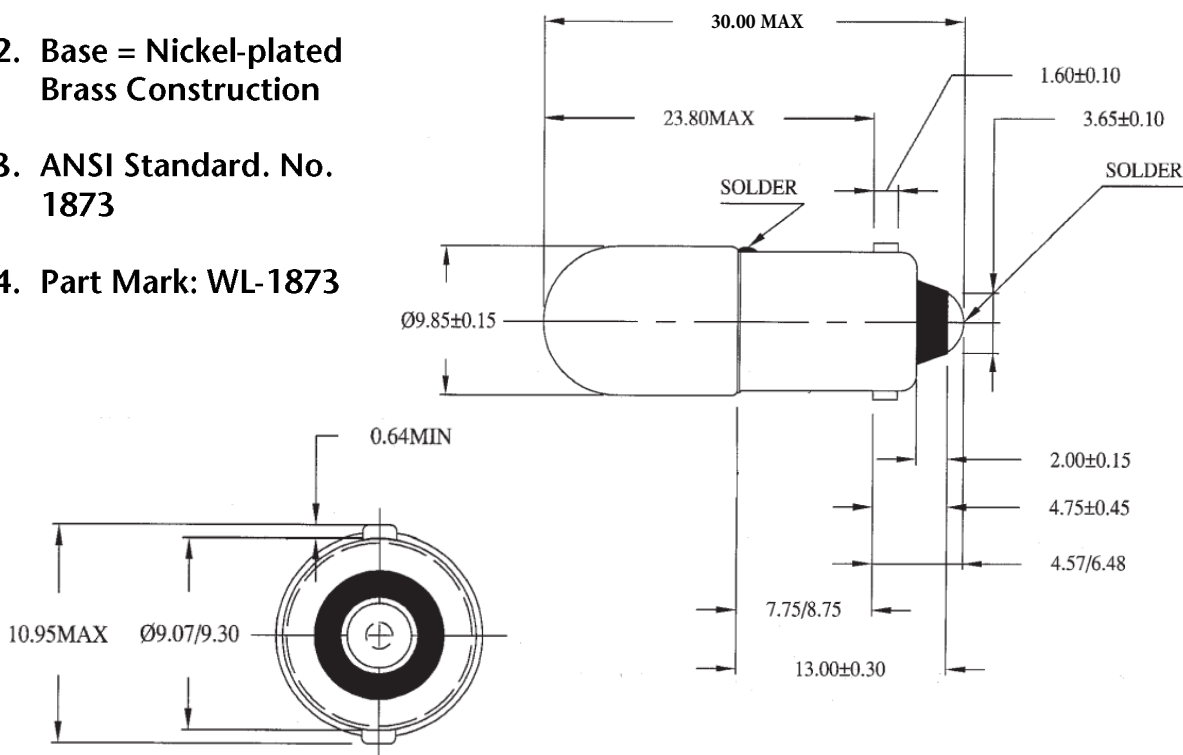


Wamco Part No.	Envelope Size	Base Type	Rating	Filament Shape
WL-1873	T-3¼	BA9s	28V .20A	C-2F

Test Volts	Current (A)			Light Output (MSCP)			Life Hours
	Min.	Nom.	Max.	Min.	Nom.	Max	
28	.180	.200	.220	2.25	3.00	3.75	7,000 Hrs

Dimensional Characteristics:

1. L.C.L = .63" (16mm)
2. Base = Nickel-plated Brass Construction
3. ANSI Standard. No. 1873
4. Part Mark: WL-1873



RoHS Compliant

			Title:			
			T-3¼ Miniature Bayonet Base Lamp 28V .20A Vacuum			
Drawn	01/24/12	SL		Notes: Unless otherwise specified, all dimensions are in mm.	Rev:	
Checked	01/24/12	EB				1
Approved	01/24/12	EB				