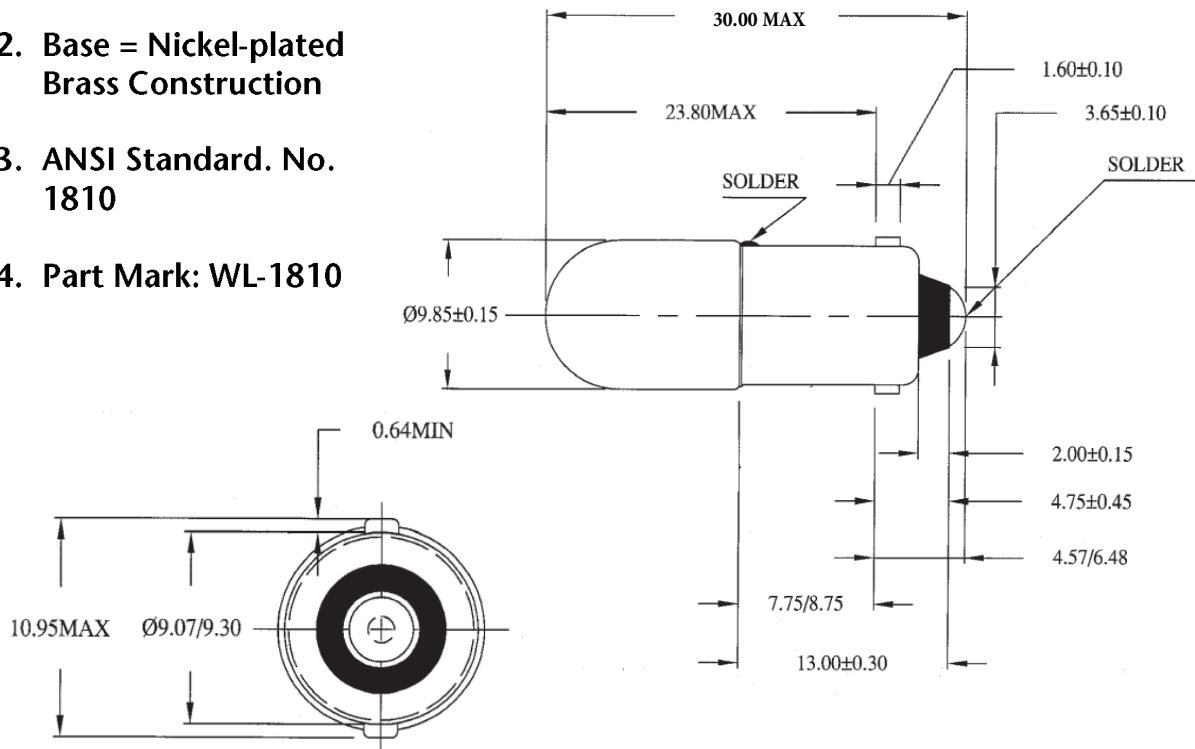


Wamco Part No.	Envelope Size	Base Type	Rating	Filament Shape
WL-1810	T-3¼	BA9s	6.3V .40A	C-2R

Test Volts	Current (A)			Light Output (MSCP)			Life Hours
	Min.	Nom.	Max.	Min.	Nom.	Max	
6.3V	.360	.400	.440	1.05	1.40	1.75	3,000 Hrs

Dimensional Characteristics:

1. L.C.L = .72" (18.3mm)
2. Base = Nickel-plated Brass Construction
3. ANSI Standard. No. 1810
4. Part Mark: WL-1810



RoHS Compliant

			Title:	
			T-3¼ Miniature Bayonet Base Lamp	
			6.3V .400A Vacuum	
Revised	01/24/12	EB	Notes: Unless otherwise specified, all dimensions are in mm.	Rev: 2
Drawn	09/08/09	SL		
Checked	09/08/09	EB		
Approved	09/09/09	EB		