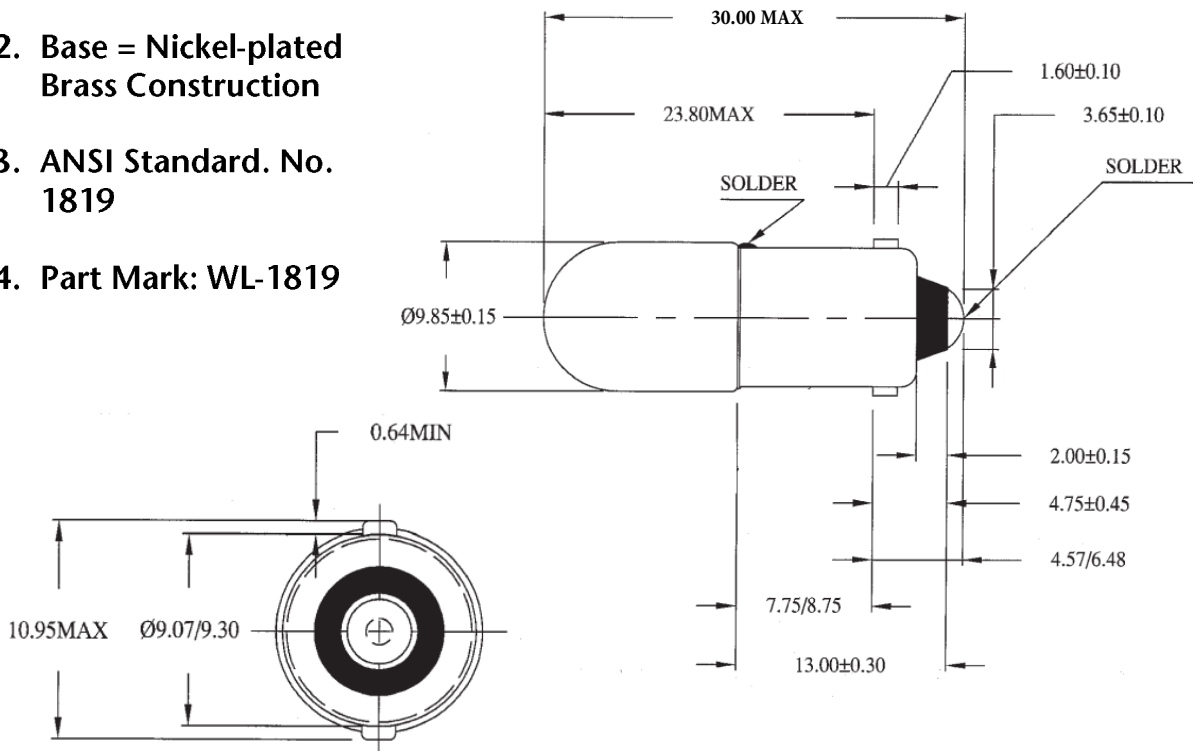


Wamco Part No.	Envelope Size	Base Type	Rating	Filament Shape
WL-1819	T-3¼	BA9s	28V 40mA	C-2F

Test Volts	Current (mA)			Light Output (MSCP)			Life Hours
	Min.	Nom.	Max.	Min.	Nom.	Max	
28.0	36	40	44	.272	.340	.408	2,500 Hrs

### Dimensional Characteristics:

1. L.C.L = .63" (16mm)
2. Base = Nickel-plated Brass Construction
3. ANSI Standard. No. 1819
4. Part Mark: WL-1819



RoHS Compliant

			Title:	
			T-3¼ Miniature Bayonet Base Lamp 28V 40A Vacuum	
Revised	01/24/12	EB		
Drawn	06/22/00	SL	Notes: Unless otherwise specified, all dimensions are in mm.	Rev: 1
Checked	06/22/00	EB		
Approved	06/22/00	EB		