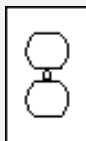




S8 -- Wall Plate

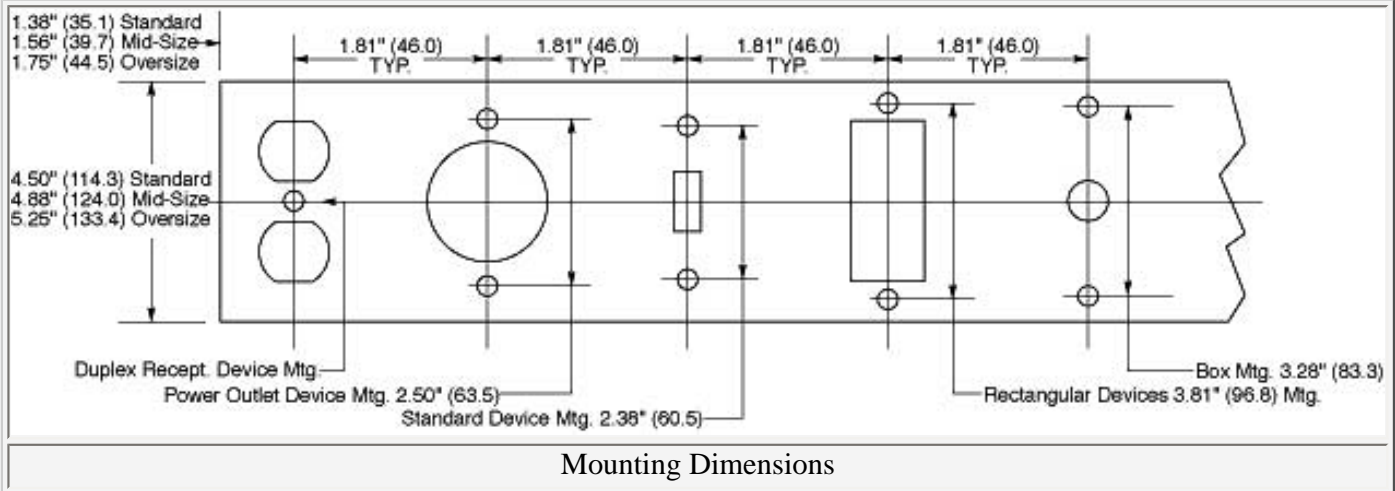


1-Gang, 1 Duplex
Receptacle.

Product Specifications

Product Type	 <p>Wall Plates</p>
Plate Group	Duplex Receptacle Plates
Plate Image	
Color/Material	Smooth Stainless Steel
Plate Size	Standard
Gangs	1
Listings	UL Standard 514A
Certification	UL Files #31999 and E115546. CSA Standard C22.2 42M CSA File LR18416
Thickness	.04" (.9) nominal
Mounting Screws	302/304 Stainless Steel (18% chromium, 8% nickel)
Appearance	Smooth Satin Finish (without lines)
Product Dimensions	4.5" (114.3) x 2.78" (70.6)
Device Opening(s)	1) Duplex
Catalog Page	Click here for catalog page K5
Brochures	Click here for product brochure

Hubbellnet	Click here for Hubbellnet
Catalog Section	Click here for Section-K
UPC Number	78358586528
Weight in LBs	0.1



Hubbell Incorporated (Delaware)
185 Plains Road
Milford, CT 06460-2420
Ph: (203) 882-4800
Fax: (800) 255-1031

