
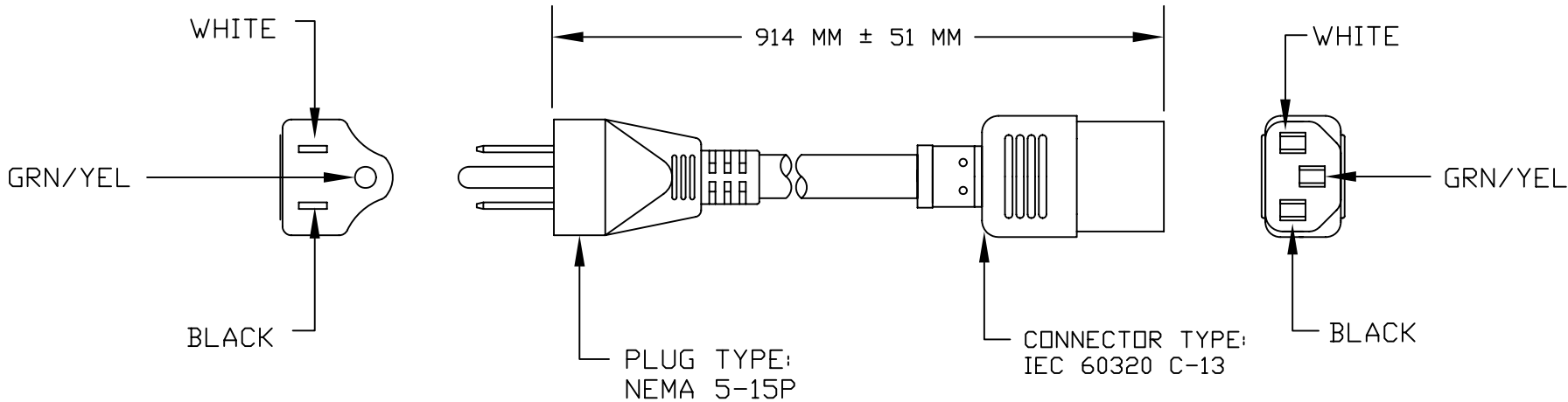


VOLEX
GROUP

Standard Cord Details: 17001A 10 B1

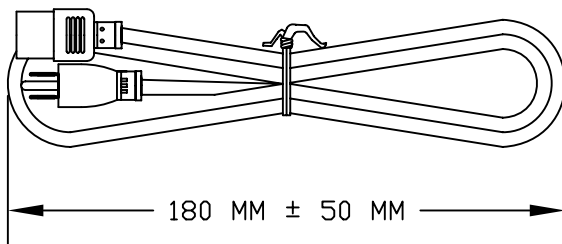


Specifications	
Certifications	
Part Number	17001A 10 B1
Connector Type	C13
Plug Type	5-15P
Category	Plastic
Application	Detachable
Plug Catalog No.	PS204
Connector Catalog No.	386A
Cable	SJT AWG 16x3
Jacket Color	Black
Length in Feet	3
Length in Meters	.91
Temperature Rating	60C
Packaging Units Per Carton	25
Color Coding	International
Nominal OD in Inches	0.34
Nominal OD in Millimeters	8.64



VOLEX RESERVES THE RIGHT TO ALTER NON-CRITICAL DIMENSIONS WITHOUT NOTICE.

PACKAGING: FOLD & TIE



NOTES:

- 1) CORDAGE: 16/3/SJT/60°C/BLACK
- 2) CERTIFICATIONS:
- 3) RATING: 13 AMP/125 VOLTS
- 4) FLAME RATING : FT2
- 5) PACKAGING: 25 PIECES/CARTON
- 6) ALL DIMENSIONS IN MILLIMETERS.

REV	DESCRIPTION	DATE
1	C.U.D - NEW RELEASE	03/12/07



FORM IN71-07 REV.A

- Indianapolis, IN
- Conover, N.C.
- Fremont, CA
- Aguascalientes, MX
- Tijuana, Mexico
- Hermosillo, MX
- Clinton, AR
- Kanata, Canada

Proprietary Notice:

This document is the property of Volex Incorporated. The information contained herein is not to be disclosed to anyone without the express written consent of Volex Inc.

MATERIAL:
PLUG: PVC, BLACK
JACKET: PVC, BLACK
ROHS COMPLIANT

FINISH:
JACKET: SMOOTH

SCALE:
NOT TO SCALE

ECD:
N/A

TOLERANCE UNLESS OTHERWISE SPECIFIED
.XXX ± .005
.XX ± .02
.X ± .03
FRACT. ± 1/32
ANGULAR ± 1/2°

ITEM DESCRIPTION
CORDSET - NORTH AMERICAN
DETACHABLE POWER SUPPLY CORD (3')

APPROVED
MAF

DRAWN BY
CLR

DATE:
03/12/07

PART NO.
17001A 10 B1