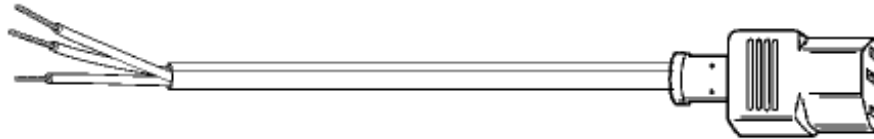


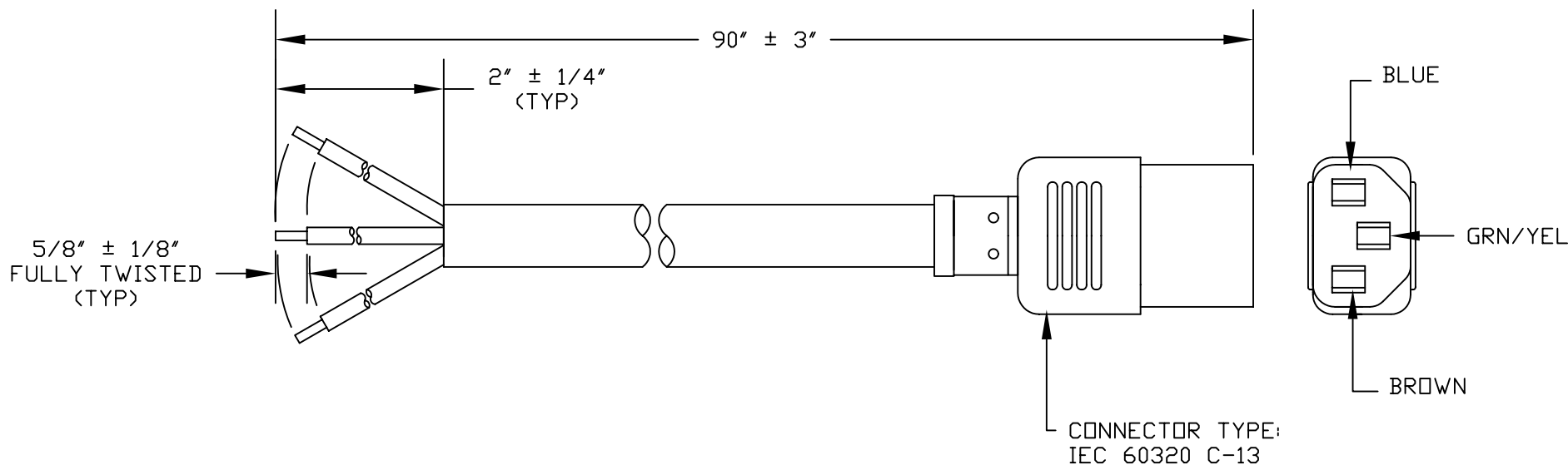
VOLEX

GROUP

## Standard Cord Details: 17254 10 B1

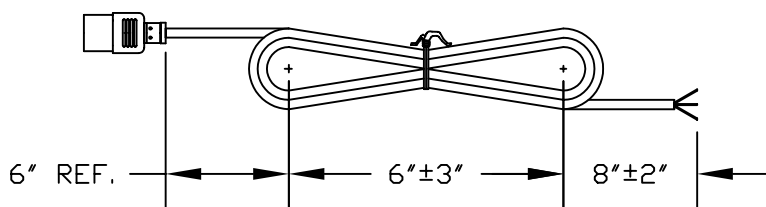


Specifications	
<b>Certifications</b>	
<b>Part Number</b>	17254 10 B1
<b>Connector Type</b>	C13
<b>Plug Type</b>	none
<b>Category</b>	Plastic
<b>Application</b>	Non-Detachable
<b>Plug Catalog No.</b>	
<b>Connector Catalog No.</b>	386A
<b>Cable</b>	SVT AWG 18x3
<b>Jacket Color</b>	Black
<b>Length in Feet</b>	7.5
<b>Length in Meters</b>	2.29
<b>Temperature Rating</b>	60C
<b>Packaging Units Per Carton</b>	100
<b>Color Coding</b>	International
<b>Nominal OD in Inches</b>	0.246
<b>Nominal OD in Millimeters</b>	6.25
<b>Notes</b>	(*)Dual rated at 10A-250V.



VOLEX RESERVES THE RIGHT TO ALTER NON-CRITICAL DIMENSIONS WITHOUT NOTICE.

PACKAGING: FOLD & TIE



**NOTES:**

- 1) CORDAGE: 18/3/SVT/60°C/BLACK
- 2) APPROVALS:
- 3) RATING: 10 AMP/125 VOLTS
- 4) FLAME RATING : FT2
- 5) CORDAGE O.D. : .246 (REF.)
- 6) PACKAGING: 100 PIECES/CARTON
- 7) ALL DIMENSIONS IN inches.

REV	DESCRIPTION	DATE
2	FORMAT UPDATE	08/18/04
1	C.U.D - NEW RELEASE	06/11/04



FORM IN71-07 REV.A

- Indianapolis, IN
- Conover, N.C.
- Freemont, CA
- Aguascalientes, MX
- Tijuana, Mexico
- Hermosillo, MX
- Clinton, AR
- Kanata, Canada

**Proprietary Notice:**

This document is the property of Volex Incorporated. The information contained herein is not to be disclosed to anyone without the express written consent of Volex Inc.

**MATERIAL:**  
PLUG: PVC, BLACK  
JACKET: PVC, BLACK

**FINISH:**  
JACKET: SMOOTH

**SCALE:**  
NOT TO SCALE

**ECD:**  
N/A

**ITEM DESCRIPTION**  
CORDSET- NORTH AMERICAN  
WIRE HARNESS

**TOLERANCE UNLESS OTHERWISE SPECIFIED**  
.XXX ± .005  
.XX ± .02  
.X ± .03  
FRACT. ± 1/32  
ANGULAR ± 1/2°

**APPROVED**  
CR

**DRAWN BY**  
ARK

**DATE:**  
06/11/04

**PART NO.**  
17254 10 B1