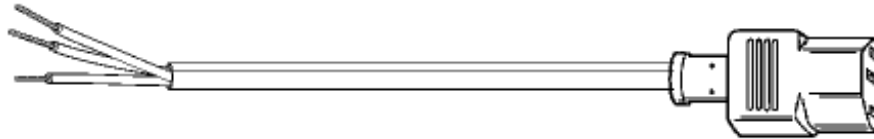


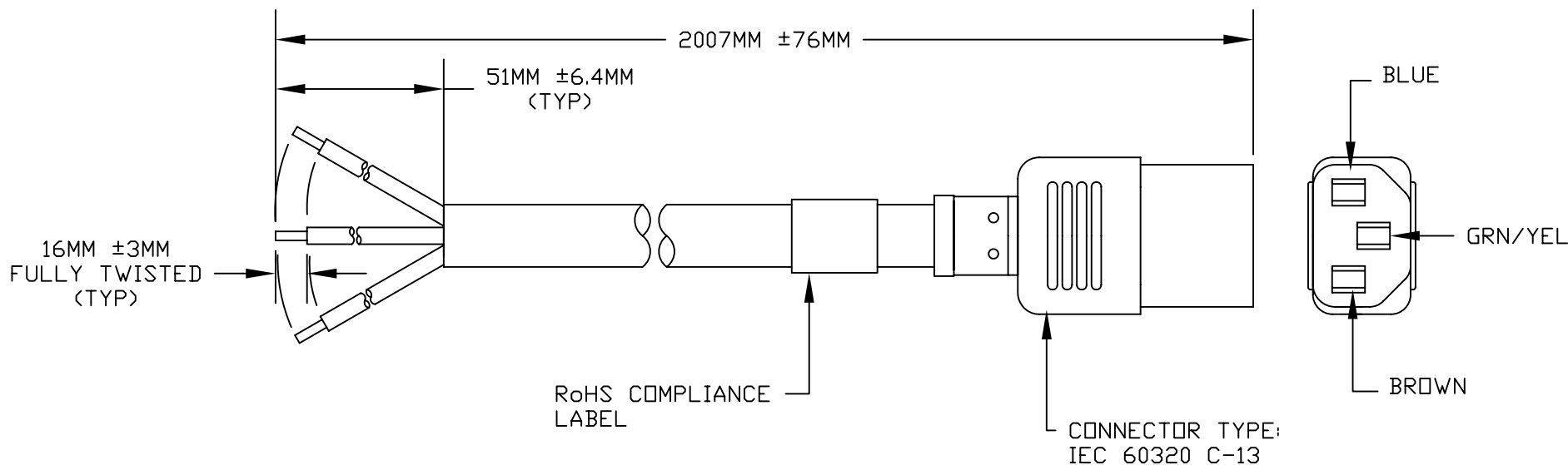
VOLEX

GROUP

Standard Cord Details: 17520 10 B1

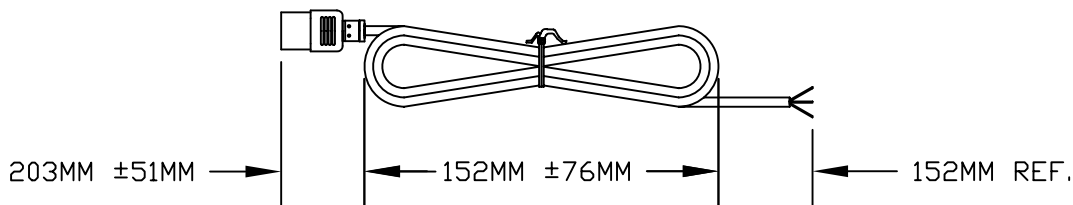


Specifications	
Certifications	
Part Number	17520 10 B1
Connector Type	C13
Plug Type	none
Category	Plastic
Application	Non-Detachable
Plug Catalog No.	
Connector Catalog No.	
Cable	SJT AWG 16x3
Jacket Color	black
Length in Feet	6'7_
Length in Meters	2
Temperature Rating	60 C
Packaging Units Per Carton	H-100,H25
Color Coding	International
Nominal OD in Inches	0.34
Nominal OD in Millimeters	8.64



VOLEX RESERVES THE RIGHT TO ALTER NON-CRITICAL DIMENSIONS WITHOUT NOTICE.

PACKAGING: FOLD & TIE



NOTES:

- 1) CORDAGE: 16/3 SJT, 60°C, BLACK
- 2) APPROVALS:
- 3) RATING: 13A/125V; 10A/250V
- 4) PACKAGING: 100 PIECES/CARTON
- 5) ALL DIMENSIONS IN MILLIMETERS UNLESS OTHERWISE NOTED.
- 6) ONLY FOR USE IN NORTH AMERICA

REV	DESCRIPTION	DATE
1	C.U.D - NEW RELEASE	9/17/07



FORM IN71-07 REV.A

- Indianapolis, IN
- Conover, N.C.
- Fremont, CA
- Aguascalientes, MX
- Tijuana, Mexico
- Hermosillo, MX
- Clinton, AR
- Kanata, Canada

Proprietary Notice:

This document is the property of Volex Incorporated. The information contained herein is not to be disclosed to anyone without the express written consent of Volex Inc.

MATERIAL:
CONNECTOR: PVC, BLACK
JACKET: PVC, BLACK

FINISH:
JACKET: SMOOTH

SCALE:
NOT TO SCALE

ECD:
N/A

ITEM DESCRIPTION
CORDSET- NORTH AMERICAN
WIRE HARNESS

TOLERANCE UNLESS OTHERWISE SPECIFIED
.XXX ± .005
.XX ± .02
.X ± .03
FRACT. ± 1/32
ANGULAR ± 1/2°

APPROVED
STC

DRAWN BY
STC

DATE:
9/17/07

PART NO.

17520 10 B1