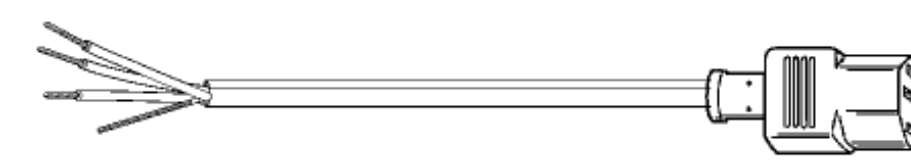


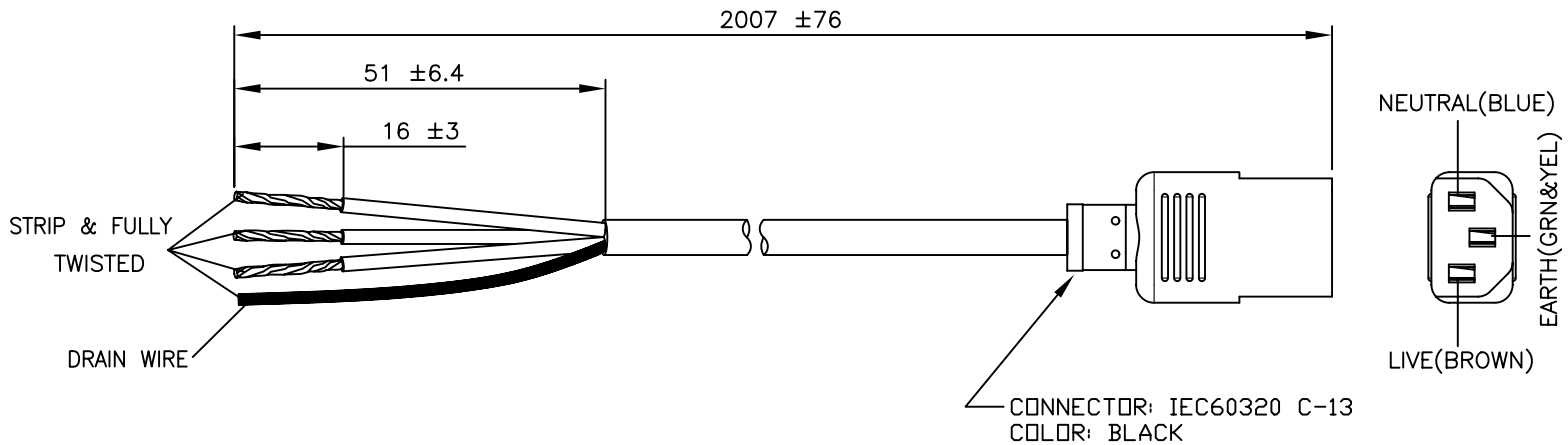
VOLEX

GROUP

Standard Cord Details: 17620 10 B1



Specifications	
Certifications	
Part Number	17620 10 B1
Connector Type	C13
Plug Type	none
Category	Plastic
Application	Non-Detachable
Plug Catalog No.	
Connector Catalog No.	
Cable	
Jacket Color	black
Length in Feet	6'7_
Length in Meters	2
Temperature Rating	60 C
Packaging Units Per Carton	H-100.H-25
Color Coding	International
Nominal OD in Inches	0.353
Nominal OD in Millimeters	8.97

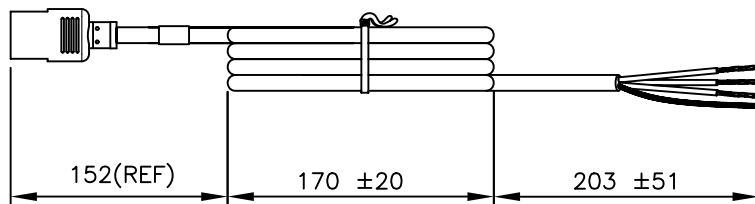


VOLEX RESERVES THE RIGHT TO ALTER NON-CRITICAL DIMENSIONS WITHOUT NOTICE.

NOTES:

- 1) CORDAGE: 16/3 SJT, 60°C, ALUMINUM-MYLAR SHIELD, BLACK.
- 2) APPROVALS:
- 3) RATING: 13 AMPS@125 VOLTS; 10 AMPS@250 VOLTS
- 4) PACKAGING: 80 PIECES/CARTON.
- 5) ALL DIMENSIONS IN MM UNLESS OTHERWISE SPECIFIED.
- 6) DRAIN WIRE NOT TERMINATED ON THE CONNECTOR END.
- 7) PRODUCT IS ROHS COMPLIANT.

PACKAGING: FOLD & TIE



REV	DESCRIPTION	DATE
1	C.U.D - NEW RELEASE	9/24/07



FORM IN71-07 REV.A

- Indianapolis, IN
- Conover, N.C.
- Freemont, CA
- Aguascalientes, MX
- Tijuana, Mexico
- Hermosillo, MX
- Clinton, AR
- Kanata, Canada

Proprietary Notice:

This document is the property of Volex Incorporated. The information contained herein is not to be disclosed to anyone without the express written consent of Volex Inc.

MATERIAL:
CONNECTOR: PVC-BLACK
JACKET: PVC-BLACK
LEAD FREE

FINISH:
JACKET: SMOOTH

SCALE:
NOT TO SCALE

ECD:
N/A

ITEM DESCRIPTION
WIRING HARNESS - NORTH AMERICAN
POWER SUPPLY CORD (6' 7")

TOLERANCE UNLESS OTHERWISE SPECIFIED
X.XXX ± 0.3
X.XX ± 0.5
X.X ± 1

ANGULAR ± 1°

APPROVED STC	DRAWN BY STC	DATE: 9/24/2007
------------------------	------------------------	---------------------------

PART NO.
17620 10 B1