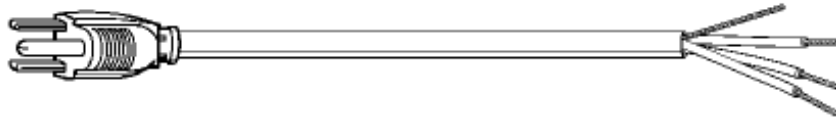




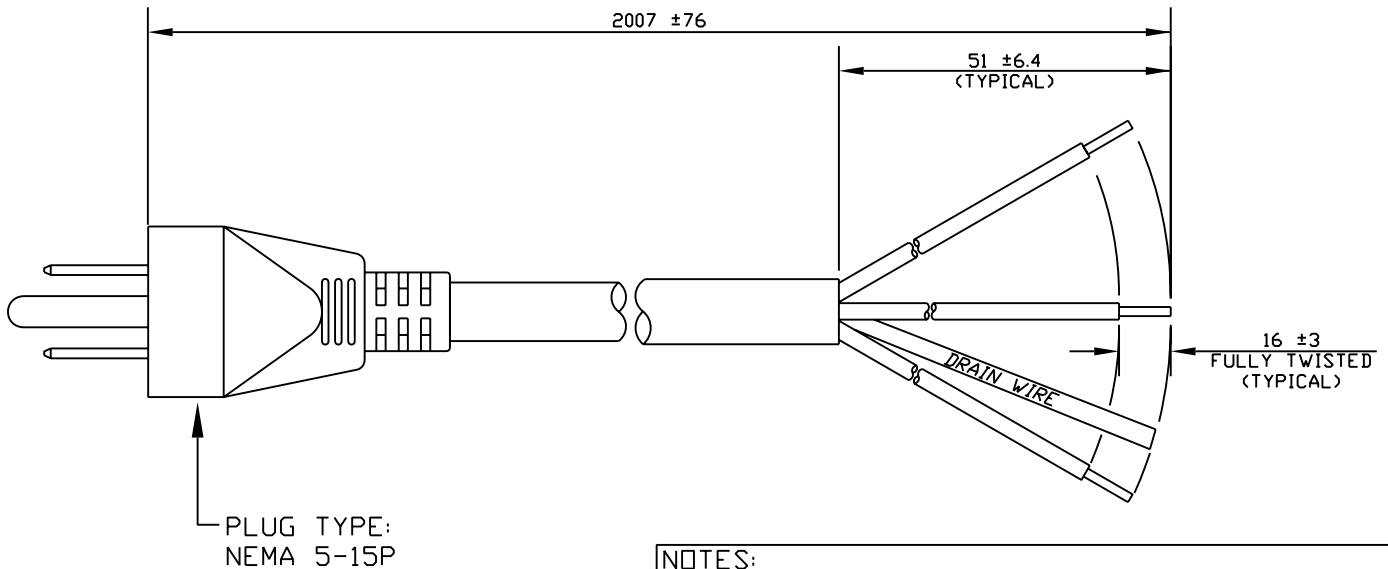
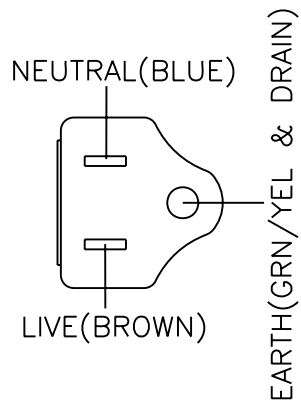
VOLEX

GROUP

## Standard Cord Details: 17616 10 B1

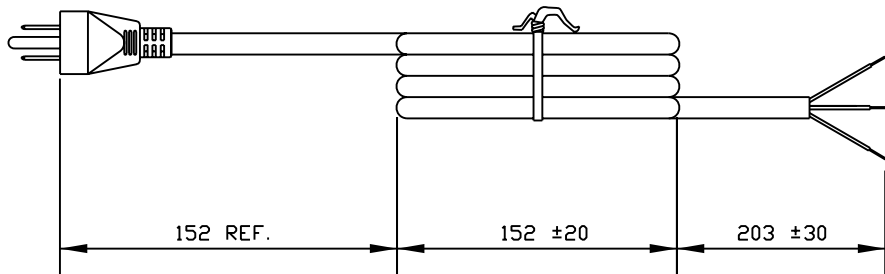


Specifications	
<b>Certifications</b>	
<b>Part Number</b>	17616 10 B1
<b>Connector Type</b>	none
<b>Plug Type</b>	5-15P
<b>Category</b>	Plastic
<b>Application</b>	Non-Detachable
<b>Plug Catalog No.</b>	
<b>Connector Catalog No.</b>	
<b>Cable</b>	SJT AWG 14x3 (Shielded)
<b>Jacket Color</b>	black
<b>Length in Feet</b>	6'7_
<b>Length in Meters</b>	2
<b>Temperature Rating</b>	60 C
<b>Packaging Units Per Carton</b>	H-100,H-25
<b>Color Coding</b>	International
<b>Nominal OD in Inches</b>	0.403
<b>Nominal OD in Millimeters</b>	10.21
<b>Notes</b>	See 17614 for 16 gauge version. See 17516 for unshielded version.



VOLEX RESERVES THE RIGHT TO ALTER NON-CRITICAL DIMENSIONS WITHOUT NOTICE.

PACKAGING: FOLD & TIE



NOTES:

- 1) CORDAGE: 14/3 SJT, 60°C, BLACK, LEAD FREE, FOIL SHIEDED WITH DRAIN WIRE.
- 2) APPROVALS:
- 3) RATING: 15 AMP/125 VOLTS
- 4) FLAME RATING : FT2
- 5) DRAIN WIRE CONNECTED TO GROUND PIN OF PLUG PRIOR TO MOLDING.
- 6) PACKAGING: 50 PIECES/CARTON
- 7) ALL DIMENSIONS IN MILLIMETERS.

2	REDRAWN TO SHOW CHINESE MANUFACTURED CORD	12/6/07
1	C.U.D - NEW RELEASE	9/21/07
REV	DESCRIPTION	DATE



FORM IN71-07 REV.A

- Indianapolis, IN
- Conover, N.C.
- Freemont, CA
- Aguascalientes, MX
- Tijuana, Mexico
- Hermosillo, MX
- Clinton, AR
- Kanata, Canada

Proprietary Notice:

This document is the property of Volex Incorporated. The information contained herein is not to be disclosed to anyone without the express written consent of Volex Inc.

MATERIAL:  
PLUG: PVC, BLACK  
JACKET: PVC, BLACK

FINISH:  
JACKET: SMOOTH

SCALE: NOT TO SCALE

ECD: N/A

TOLERANCE UNLESS OTHERWISE SPECIFIED  
.XXX ± .005  
.XX ± .02  
.X ± .03  
FRACT. ± 1/32  
ANGULAR ± 1/2°

ITEM DESCRIPTION  
CORDSET - NORTH AMERICAN  
POWER SUPPLY CORD (6'7")

APPROVED: STC  
DRAWN BY: STC  
DATE: 9/21/07

PART NO. 17616 10 B1