

# FCC17 Series

## FILTERED STACKED D-SUB CONNECTORS

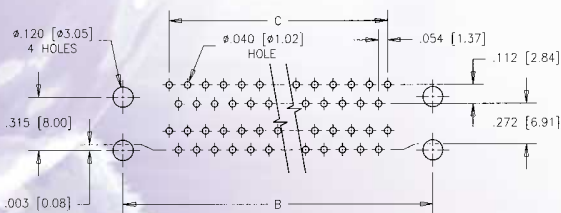
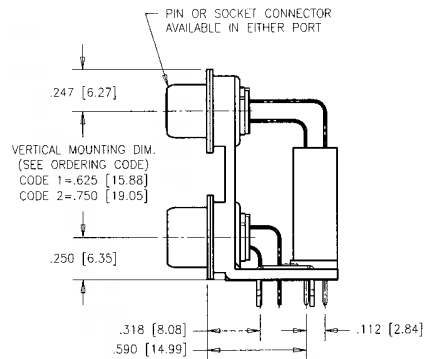
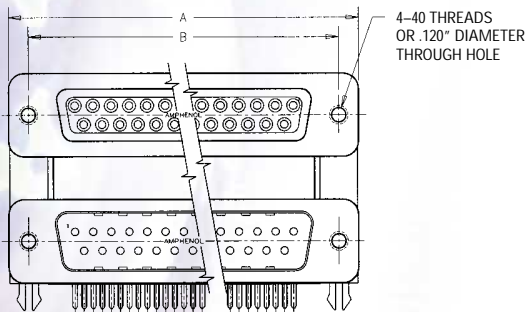
### Ordering Information – Stacked D-Sub

**FCC17 – 2 BP BS – 4 5 5 X**

<b>FCC17</b>	<b>SERIES DESIGNATION</b>	
<b>2</b>	<b>VERTICAL MOUNTING DIMENSION BETWEEN CONNECTORS</b> 1 = .625" [15.88 mm] 2 = .750" [19.05 mm]	
<b>BP</b>	<b>UPPER CONNECTOR CONFIGURATION (Size and Style)</b> EP: 9 pin    BP: 25 pin ES: 9 socket    BS: 25 socket AP: 15 pin    CP: 37 pin AS: 15 socket    CS: 37 socket	
<b>BS</b>	<b>LOWER CONNECTOR CONFIGURATION (Size and Style) same as Upper Connector Configuration</b>	
<b>4</b>	<b>MOUNTING</b> 2: .120" [3.05 mm] Diameter Through Hole on Flanges 4: 4-40 Threaded Inserts on Flanges E: 4-40 Hex Jack Sockets (supplied loose)	
	<b>MODIFIER</b> 0: Standard Product x: Special or Custom Versions	<b>X</b>
	<b>LOWER CONNECTOR FILTER CAPACITANCE</b> same as Upper Connector Filter Capacitance Designation	<b>5</b>
	<b>UPPER CONNECTOR FILTER CAPACITANCE</b>	<b>5</b>

D: 50 pF                      5: 1,000 pF  
 0: 180 pF                    E: 2,200 pF  
 F: 330 pF                    7: 1,200 pf  
 1: 470 pF                    9: 5,600 pF  
 4: 820 pF                    8: 47,000 pF

\* For Additional Mounting Options and Filter Capacitance - Consult Factory



#### Dimensions

Connector size	A	B	C
9 / 9	1.213 [30.81]	.984 [24.99]	.432 [10.97]
15 / 15	1.541 [39.14]	1.312 [33.32]	.756 [19.20]
25 / 25	2.088 [53.04]	1.852 [47.04]	1.304 [33.12]
37 / 37	2.729 [69.32]	2.500 [63.50]	1.956 [49.68]

Consult factory for alternative arrangements