

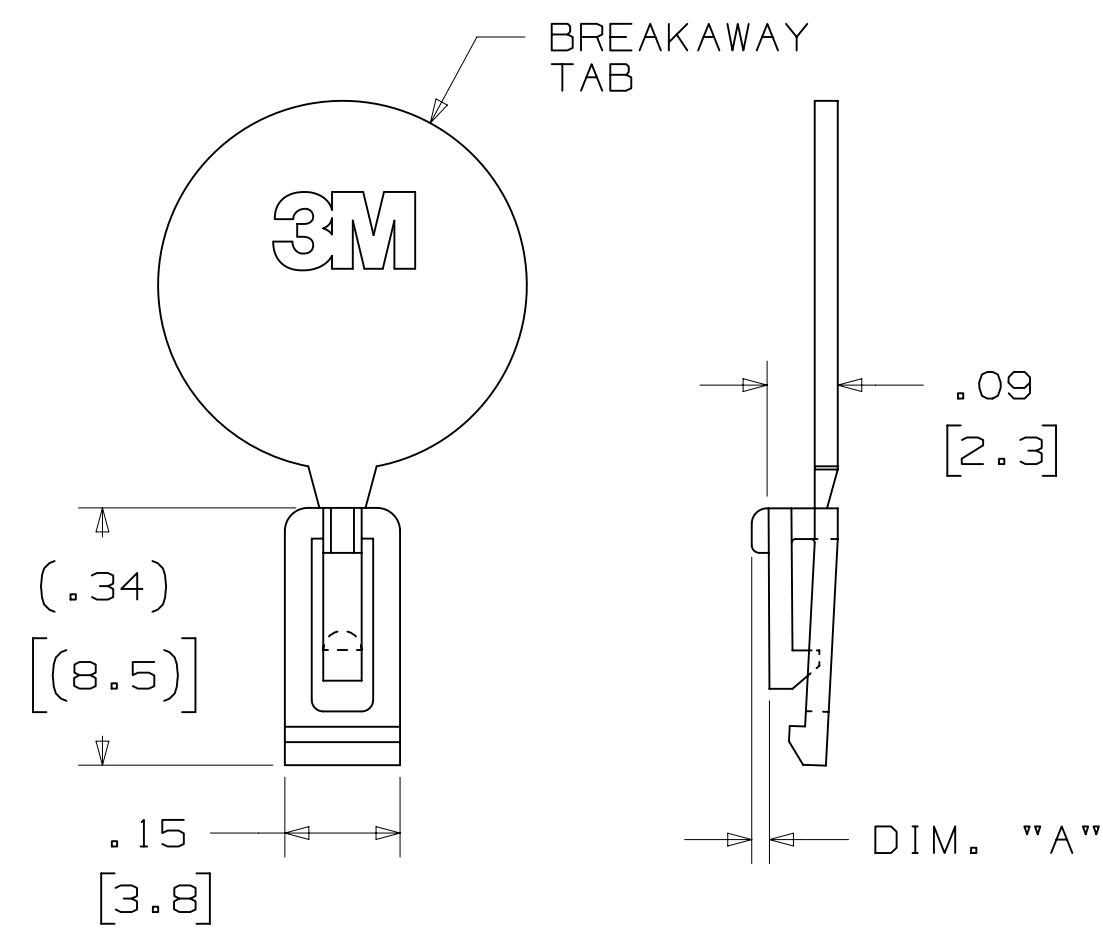
PART CUSTOMIZATION

THIS SPEC SHEET DETAILS OUR STANDARD OFFERING.

3M HAS SEVERAL CAPABILITIES THAT CAN PROVIDE A PART TAILORED TO YOUR SPECIFIC NEEDS. ASK YOUR 3M SALES REPRESENTATIVE OR CUSTOMER SERVICE FOR MORE DETAILS.

- * SELECTIVE PIN REMOVAL (FOR BOARD ASSEMBLY POLARIZATION).
- * DIFFERENT PIN LENGTHS.

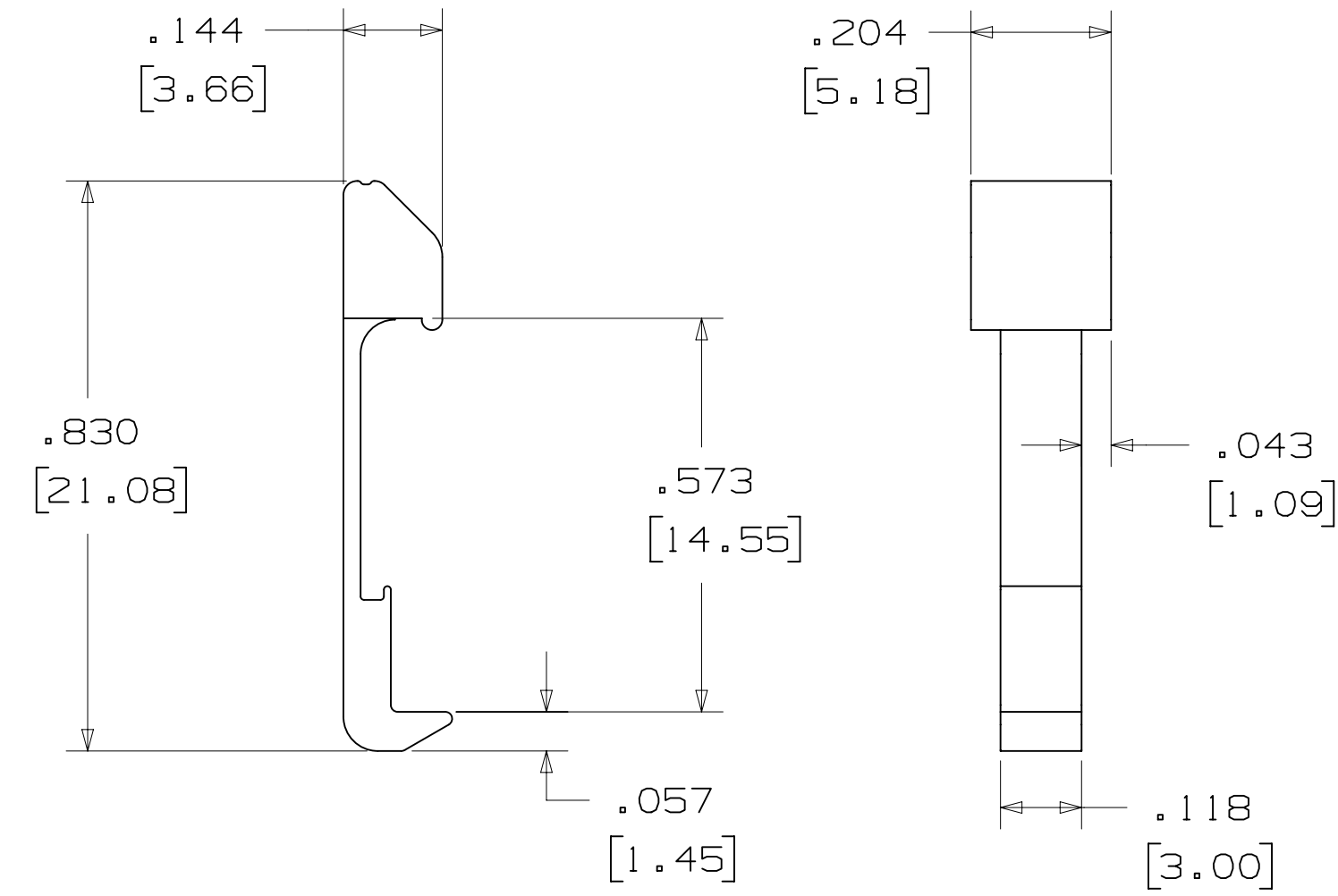
POLARIZING KEY



3M PART NO.	MATERIAL	COLOR	DIM. "A"
N3518	LCP	BLACK	.02

NOTE:
#2216 B/A SCOTCHWELD CAN BE USED TO ADHERE KEYS.

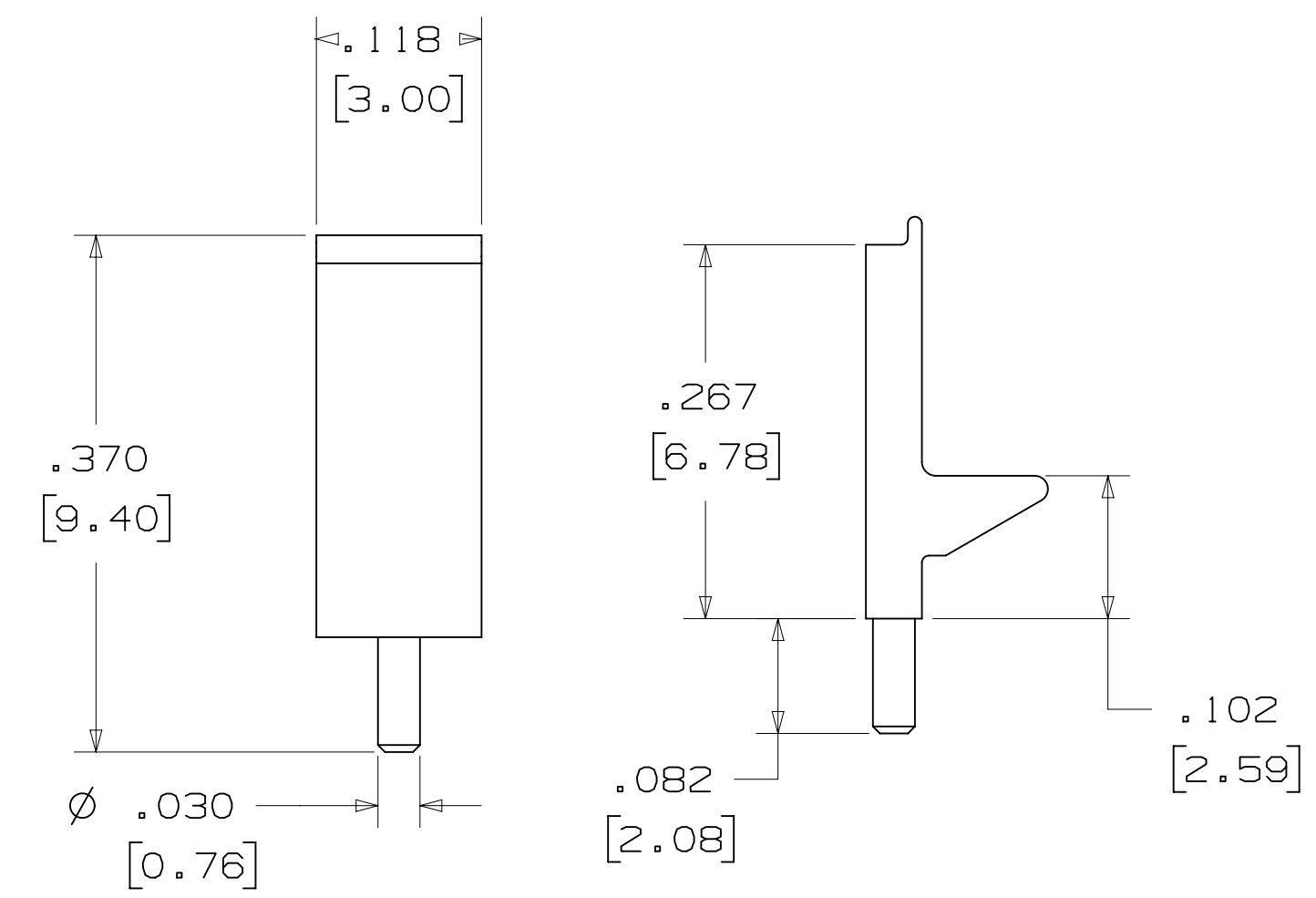
LOW PROFILE LATCH



PART NO.	MATERIAL	COLOR
3505-33B	NYLON	BLACK

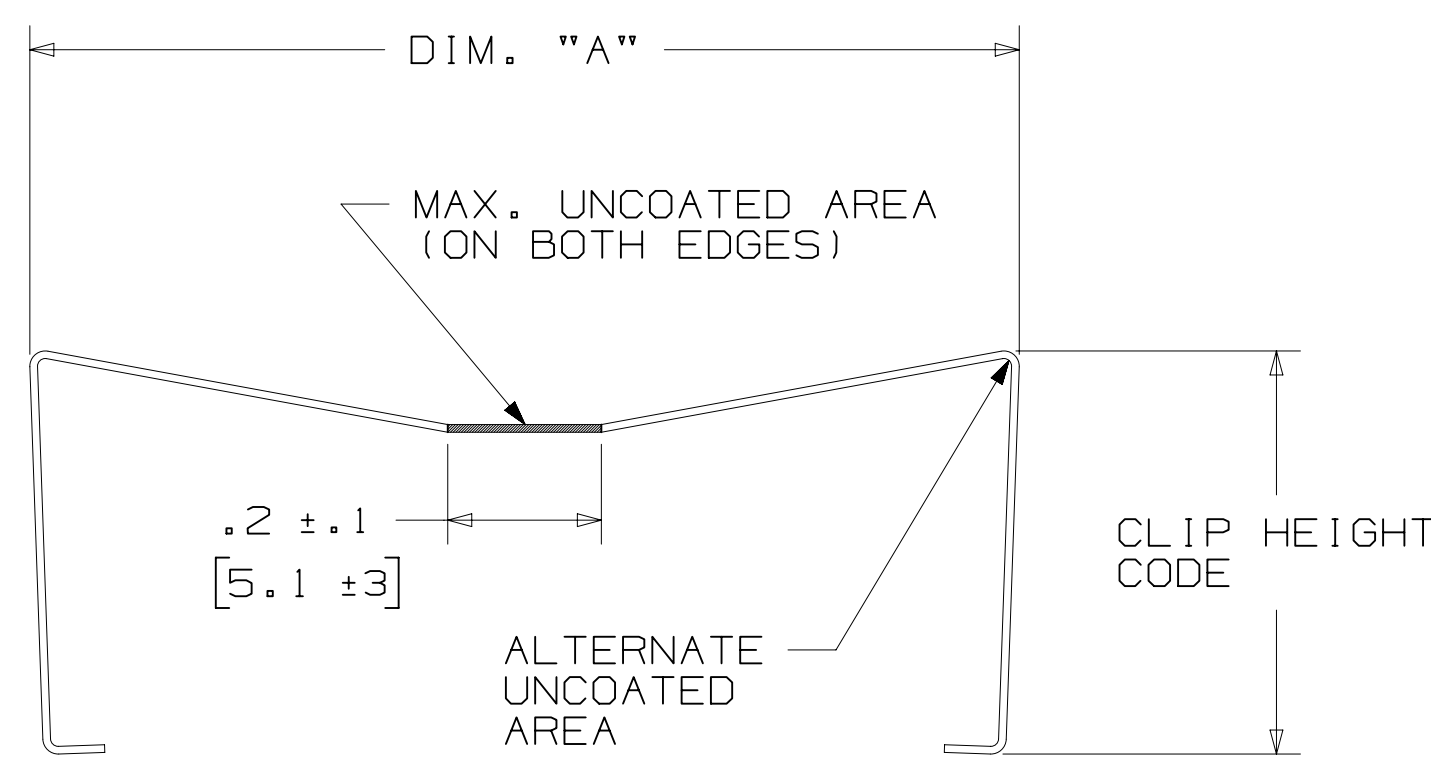
NOTE:
LATCHES NOT COMPATIBLE WITH REFLOW SOLDERING.
ATTACH LATCHES AFTER SOLDERING.

POLARIZING POST



PART NO.	MATERIAL	COLOR
3201-3	PCT	BLACK

SHORT/LONG SOCKET RETAINER CLIP



PIN QTY.	DIM. "A"
06	N/A
08	N/A
10	.81 [20.6]
14	1.02 [25.9]
16	1.12 [28.4]
20	1.32 [33.5]
24	1.52 [38.7]
26	1.63 [41.4]
30	1.83 [46.4]
34	2.03 [51.6]
36	N/A
40	2.33 [59.2]
50	2.83 [71.9]
60	3.33 [84.6]
64	3.53 [89.7]

NOTE:
STAINLESS STEEL WITH GRAY POLYURETHANE COATING.

3505-8XXX
CLIP HEIGHT CODE ——— PIN COUNT (SEE TABLE)
0 = .31 [7.9] FOR SOCKETS WITHOUT STRAIN RELIEF
1 = .53 [13.5] FOR SOCKETS WITH STRAIN RELIEF

DESIGN REFERENCE	NEXT ASSEMBLY	REV	ECO	ISSUE DATE AND DESCRIPTION	DRFT	CHKD
				AUG 11, 2014		
ISSUE CODES		DRFT	CASTIGLIONE	AUG 11, 2014	MFG	DATE
		CHKD			APPV	DATE
					R. SCHERER	SEP 05, 2014
DIVISION	Interconnect Solutions	DIVISION CODE	EMSD	© 3M COPYRIGHT 2015		
DO NOT SCALE DRAWING	SCALE 4-1	TOLERANCES EXCEPT AS NOTED		3M Center St. Paul, MN 55144		
THIRD ANGLE PROJECTION		INCHES		This document and the information it contains are 3M property and may not be reproduced or further distributed without 3M permission, or used or disclosed other than for 3M authorized purposes. All rights reserved.		
INTERPRET PER ASME Y14.5 - 2009		MILLIMETERS		TITLE		
MAX SURFACE ROUGHNESS				HEADER, 4-WALL, LO-PRO, .100 X .100, SMT, STRAIGHT & RA		
MARKED SURFACES				CAGE NUMBER		
MARKED ONLY				D 78-5100-0770-7 M		
				MODEL		
				3000 SERIES		
				REV.		
				SHT 5 OF 5		

78-5100-0770-7 M REVISION DRAWING NUMBER 8:32 AM UTC-06:00