

MICRO SWITCH

A DIVISION OF MINNEAPOLIS-HONEYWELL REGULATOR COMPANY
 PROSPERITY, ILLINOIS

FED. MFR. CODE 91929

ACTUATOR-SWITCH

CATALOG LISTING

JV-20

5

(M) JV-20

REPLACES ISSUE 7

JV-20

M

DRAWING NUMBER

RELEASE NO.

6

ISSUE
 10/12/53

REVISIONS

A	CO. 10437	R. L. H.	9 MAY 58
B	C.O. 10620	JAV.	12 JULY 58
C	CO 13876	M B F	8 JULY 59
D	CO 26511	R E R	21 OCT 69
E	CO 34626	R E R	7 FEB 75
F	CO 74163	D H D	22 APR 85

CHECK

10 MAY 56

CHECK

10 MAY 56

CHECK

11 MAY 56

CHECK

56

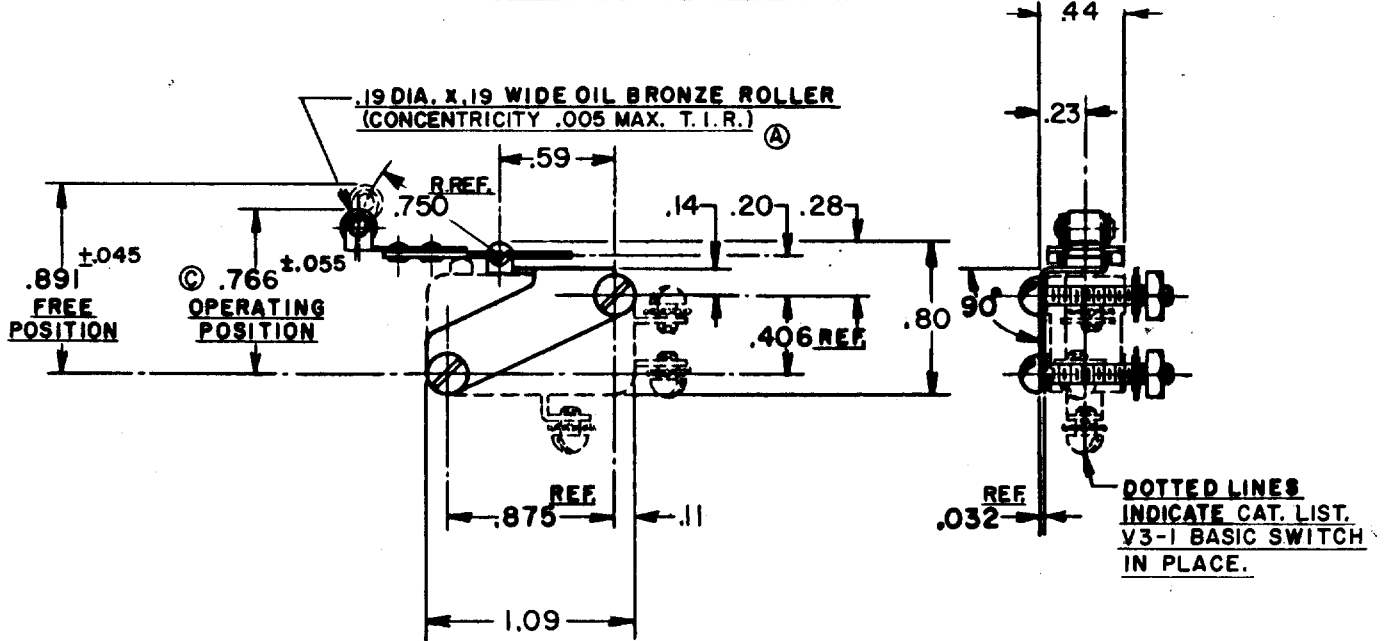
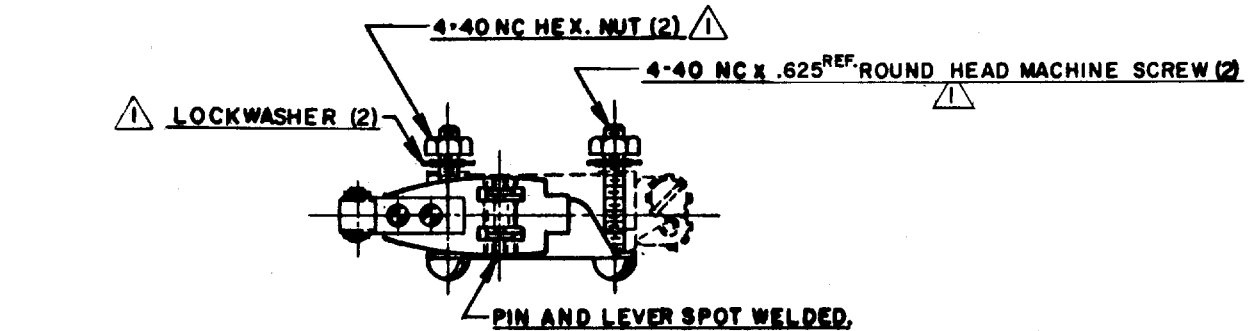
CHECK

9 MAY

9 MAY

9 MAY

9 MAY



NOTE -

1- FURNISHED UNASSEMBLED

2- ACTUATOR NOT SATISFACTORY FOR USE ON V3-600 AND 700 SERIES SWITCHES. (B)

THIS DRAWING COVERS A PROPRIETARY ITEM AND IS THE PROPERTY OF MICRO SWITCH, A DIVISION OF HONEYWELL. THIS DRAWING IS NOT TO BE COPIED OR USED WITHOUT THE APPROVAL OF MICRO SWITCH.

CHARACTERISTICS WITH V3-1 BASIC SWITCH INSTALLED	ELECTRICAL DATA		SCALE FULL
OPERATING FORCE ----- 5 OZ. MAX.	CONTACT ARRANGEMENT	BREAK DISTANCE	DO NOT SCALE PRINT
RELEASE FORCE ----- 1 OZ. MIN.			UNLESS OTHERWISE SPECIFIED
PRETRAVEL ----- .198 MAX.			DIMENSIONS ARE IN INCHES
DIFFERENTIAL TRAVEL ----- .078 MAX.			TOLERANCES ARE:
OVERTRAVEL ----- .062 MIN.			ONE PLACE (.0) ±.030
			TWO PLACE (.00) ±.015
			THREE PLACE (.000) ±.005
			ANGLES ± 2°
			WEIGHT .027 LB MAX (D)

74-25

DRAWN

R. L. H.

9 MAY