



# MICRO SWITCH

FREEPORT, ILLINOIS, U.S.A.  
A DIVISION OF HONEYWELL

FED. MFG. CODE 91929

# ACTUATOR-SWITCH

CATALOG LISTING

## JS-246

JS-246

M

DRAWING NUMBER

ISSUE

6

ISSUE

6

### REVISIONS

A	C021422	WEG	23 JUNE 66
B	C038560	JAL	13 JUN 77
C	C047771	CJH	17 MAY 80
D	C079303	DLT	8 MAR 95
E	0015428	SPK	14 SEP 05

REPLACES

RELEASE NO.

CHECK

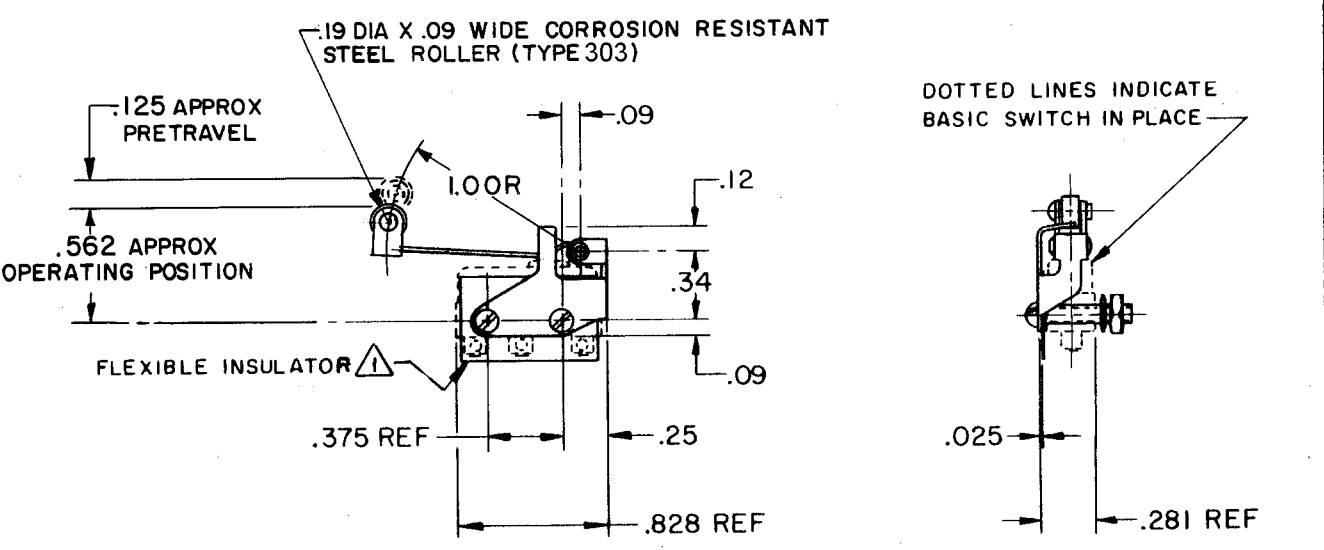
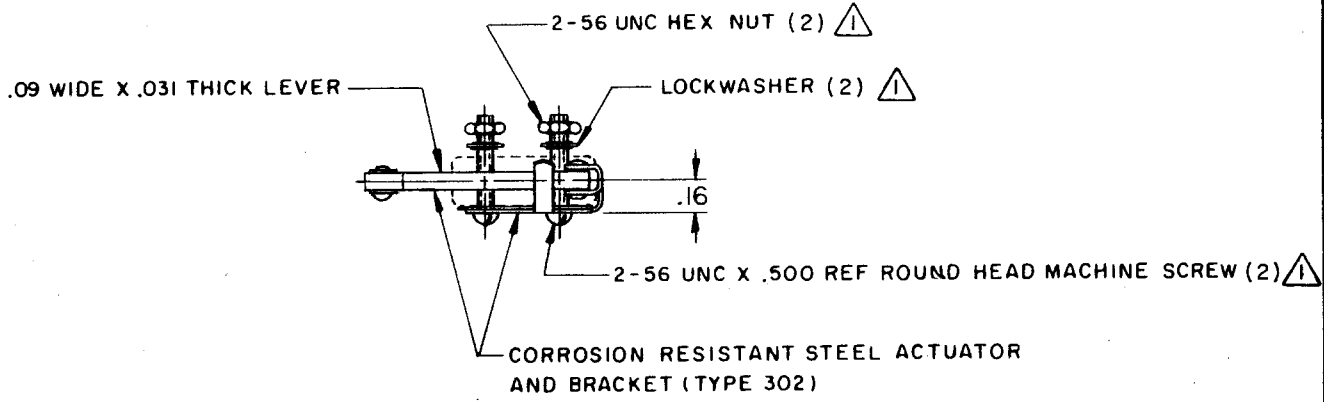
RJ

CHECK

CHECK

CHECK

WEG



NOTE -  $\triangle$  FURNISHED UNASSEMBLED

THIS DRAWING COVERS A PROPRIETARY ITEM AND IS THE PROPERTY OF MICRO SWITCH, A DIVISION OF HONEYWELL. THIS DRAWING IS NOT TO BE COPIED OR USED WITHOUT THE APPROVAL OF MICRO SWITCH.

### CHARACTERISTICS WITH TSMI BASIC SWITCH INSTALLED

OPERATING FORCE	-----	1 OZ MAX
RELEASE FORCE	-----	4 GRAMS MIN
DIFFERENTIAL TRAVEL	-----	.030 MAX
OVERTRAVEL	-----	.030 MIN

### ELECTRICAL DATA

CONTACT ARRANGEMENT

### SCALE FULL

DO NOT SCALE PRINT

UNLESS OTHERWISE NOTED

DIMENSIONS ARE IN INCHES

### TOLERANCES ARE:

ONE PLACE	(.0)	±.030
TWO PLACE	(.00)	±.015
THREE PLACE	(.000)	±.005
ANGLES		±

WEIGHT

FC-50378

DRAWN

WEG 23 JUNE 66