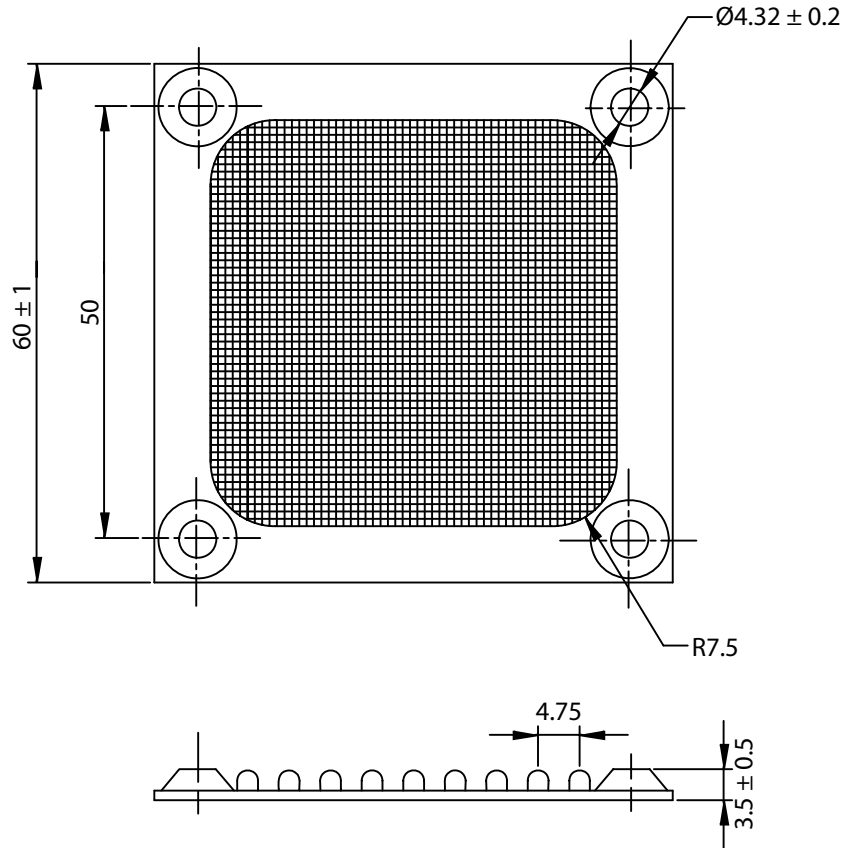


THESE DRAWINGS ARE THE PROPERTY OF QUALTEK ELECTRONICS AND NOT TO BE REPRODUCED FOR OR COMMUNICATED TO A THIRD PARTY WITHOUT THE EXPRESS WRITTEN PERMISSION OF AN OFFICER OF QUALTEK ELECTRONICS.

REVISION			
REV.	DESCRIPTION	DATE	APPROVED
B	RoHS Compliancy	06-01-06	DP
C	Updated Specifications	04-02-08	DP



NOTES:

- MATERIAL:
(1)FRAME: SUS304 STAINLESS STEEL WITH 0.6mm THICKNESS
(2)MESH: 24#/25.4mm STAINLESS STEEL
- FINISH: ELECTROLYZE
- GENERAL TOLERANCE UNLESS NOTED IS ± 0.5 mm
- RoHS COMPLIANT

CONTROLLED

Dim range (mm)	Tolerance +/- (mm)	Qualtek Electronics Corp. FAN-S DIVISION		
		Part Number: 06250-SS	RoHS Compliant	
0-5	0.1	Description: FAN FILTER SCREEN (60mm)		
5-16	0.15		UNIT: mm	REV: C
16-64	0.2			
64-250	0.4	Drawn / Date	Checked / Date	Approved / Date
250-1000	0.5	B. ZHANG 05-23-02	05-23-02	JJH / 05-23-02
1000-1500	1.0			