

**ebm-papst St. Georgen GmbH & Co. KG**

Hermann-Papst-Straße 1

D-78112 St. Georgen

Phone +49 7724 81-0

Fax +49 7724 81-1309

info2@de.ebmpapst.com

www.ebmpapst.com

Nominal data

| Type | 614 NHH-119 | |
|--------------------------|-------------------|----------|
| Nominal voltage | VDC | 24 |
| Nominal voltage range | VDC | 18 .. 28 |
| Speed | min ⁻¹ | 6850 |
| Power input | W | 3.0 |
| Min. ambient temperature | °C | -20 |
| Max. ambient temperature | °C | 70 |
| Air flow | m ³ /h | 56 |
| Sound power level | B | 5.7 |
| Sound pressure level | dB(A) | 41 |

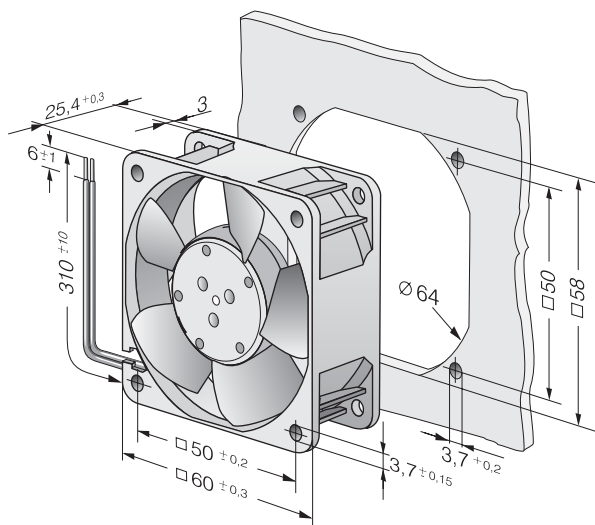
ml = max. load · me = max. efficiency · fa = running at free air · cs = customer specs · cu = customer unit
Subject to alterations



Technical features

| | |
|--|---|
| General description | <p>Particular design features: Ball bearings and sleeve bearings available. Some models suitable for use at high ambient temperatures up to 85 °C.</p> <p>General features: Material: fibreglass-reinforced plastic. Impeller PA, housing PBT. Electronic commutation completely integrated. Protected against reverse polarity and locking. Connection via single strands AWG 22, TR 64, bared and tin-plated. Air exhaust over bars. Rotational direction clockwise looking at rotor. Mass: 66 g.</p> |
| Mass | 0.066 kg |
| Dimensions | 60 x 60 x 25 mm |
| Material of impeller | Fiberglass-reinforced PA plastic |
| Housing material | Fiberglass-reinforced PBTP plastic |
| Direction of air flow | Air exhaust over bars |
| Direction of rotation | Right, looking at rotor |
| Bearing | Ball bearings |
| Lifetime L10 at 40 °C | 60000 h |
| Lifetime L10 at maximum temperature | 30000 h |
| Connection line | Single strands AWG 22, TR 64, bared and tin-plated. |
| Motor protection | Protected against reverse polarity and locking. |
| Locked-rotor protection | With electronic blocking and overload protection |
| Approval | VDE, CSA, UL, CE |

Product drawing



Charts: Air flow

