

REF100 Series

Motorized Impeller

Ø 100 x 25mm

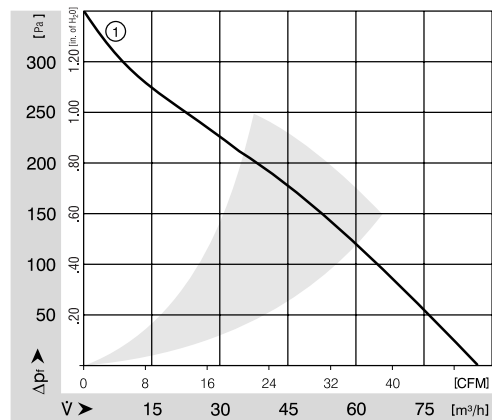
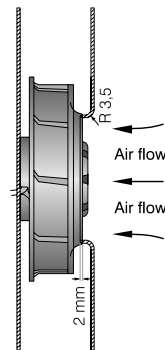
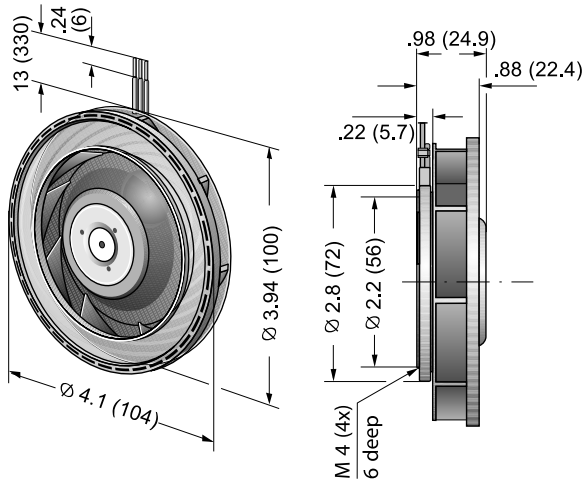


- DC radial blower with electronically commutated external rotor motor. Fully integrated commutation electronics.
- With electronic protection against reverse polarity, blocking and over-loading.
- Blower wheel of fiberglass reinforced plastic.
- Air exhaust radial. Rotational direction CCW looking at rotor.
- Electrical connection via 2 leads AWG 22, TR 64. Stripped and tinned ends.
- UL, CSA, VDE approvals on most models, please contact application engineering.

Part Number	Curve	CFM @ 0	VDC	Volt. Range	Power (W)	dBA	Max. Amb. Temp C	Bearing Type	Impeller Material	Speed (RPM)	Wgt. (lbs)
REF100-11/12	1	50.6	12	8 to 15	7	66	75	Ball	Leads	5400	0.35
REF100-11/14	1	50.6	24	16 to 30	7	66	75	Ball	Leads	5400	0.35
REF100-11/18	1	50.6	48	36 to 60	7	66	75	Ball	Leads	5400	0.35

The air flow and noise level of fans without external housing depends on the installation conditions. The stated air flow and noise has been measured under the following conditions:

Centrifugal fan mounted on a base plate 127 x 127 mm.
Cover plate 127 x 127 mm with an air-inlet of Ø 70 mm, concentric to the blower wheel.



ebmpapst

e-mail: sales@us.ebmpapst.com · TEL: 860-674-1515 · FAX: 860-674-8536

ebm-papst Inc., 100 Hyde Road, Farmington, CT 06034 USA

ebm-papst Inc., 2006 © ebm-papst Inc. reserves the right to change any specifications or data without notice