

# Model CLSM-50S

# Closed Loop Hall Effect

## Description

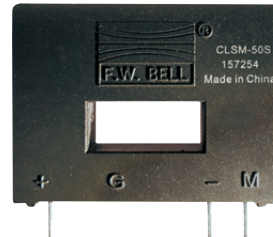
The Model CLSM-50S is a closed loop Hall effect current sensor that accurately measures DC and AC currents and provides electrical isolation between the current carrying conductor and the output of the sensor.

## Features

- Moistureproof, Shockproof
- Noncontact measurement of high current
- Measures DC, AC and impulse currents
- Current sensing up to 400A peak <sup>(1)</sup>
- Very fast response and high accuracy
- High overload capacity

## Applications

- Variable speed drives for motors
- Welding Equipment
- Power supply Equipment
- Measure and control system
- Over current protection
- Protection of power semiconductors



## Electrical Specifications

|  |                         |
|--|-------------------------|
| Nominal current (I <sub>N</sub> )        | ±50 A                   |
| Current range                            | 0 to ±100 A             |
| Nominal output current (I <sub>M</sub> ) | ±50 mA                  |
| Turns Ratio                              | 1000 / 1                |
| Measuring Resistance (R <sub>M</sub> )   | 0 to 100Ω               |
| Overall accuracy at 25°C                 | ±0.5% of I <sub>N</sub> |
| Supply voltage (V <sub>dc</sub> )        | ±12 to ±18              |
| Current consumption                      | 15 mA + Output current  |

## CLSM-50S

## Accuracy-Dynamic Performance

|  |                     |
|--|---------------------|
| Zero current offset at 25°C                                    | < ±0.2mA            |
| Offset current temperature drift (0°C to +70°C) <sup>(2)</sup> | < 0.3mA             |
| Linearity  | better than ±0.1%   |
| Response time  | better than 0.5μs   |
| di / dt  | better than 50A/μs  |
| Frequency range  | DC to 200KHz (-3dB) |

## General Information

|                       |  |
|-----------------------|--|
| Operating temperature | -25°C to +85°C   |
| Storage temperature   | -25°C to +90°C   |
| Package               | flame retardant plastic case, UL94V-0  |
| Isolation voltage     | 5kV/50Hz/min.  |
| Output reference      | To obtain a positive output on terminal M, input current must flow in the direction of the arrow (conventional flow) |
| Weight                | 28 grams   |
| Mounting              | Designed to mount directly on PCB via through hole connection pins   |
| Aperture size         | 0.276" x 0.630" (7 x 16 mm)  |

## Notes:

1. With ±18V R<sub>m</sub> < 1Ω, at +25°C, for 3 seconds only.
2. Excludes zero current offset
3. Busbar temperature should not exceed 100°C.
4. The dynamic performance is the best when the busbar fills the aperture.

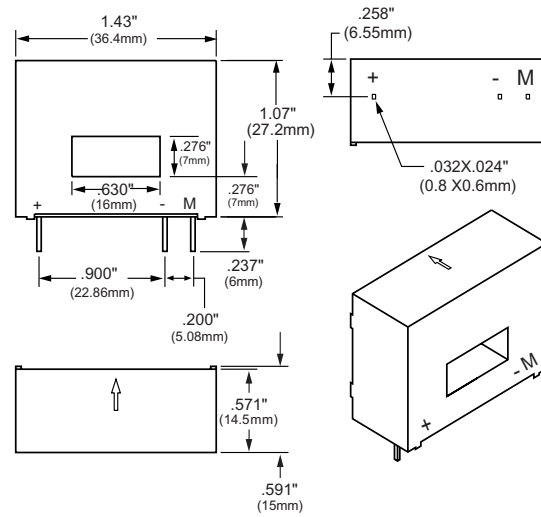


# Mechanical Dimensions

All dimensions are in inches (millimeters)

## Model **CLSM-50S**

### Mechanical Dimensions



### Connection Schematic

