

Description

The Model CLSM-25 is a closed loop Hall effect current sensor that accurately measures DC and AC currents and provides electrical isolation between the current carrying conductor and the output of the sensor.

Features

- Fast Response
- Small Size, Low Cost
- High Overload Capacity
- Moistureproof, Shockproof
- Measures DC, AC and pulsed currents

Applications

- Variable speed drives for motors
- Welding Equipment
- Power supply Equipment
- Measure and control system
- Over current protection
- Protection of power semiconductors



Electrical Specifications

CLSM-25

Nominal current (I _N)	±25A.t rms
Current range ⁽²⁾	0 to ±50A.t (±200A.t Peak) ⁽³⁾
Nominal output current (I _M)	±25 mA
Turns Ratio	1-2-3-4-5/1000
Measuring Resistance (R _M)	refer to table 1
Overall accuracy at 25°C	±0.5 % of I _N Max.
Supply voltage (V _{dc})	±12 to ±18
Isolation voltage	5kV/50Hz/min.

Accuracy-Dynamic Performance

Zero current offset at 25°C	< ±0.15 mA
Offset current temperature drift ⁽¹⁾	< ±0.3 mA
(between 0°C and +70°C)	
Linearity	better than ±0.1%
Response time	less than 1µs
di / dt	better than 50A/µs
Frequency range	DC to 200KHz (-3dB)

General Information

Operating temperature	-40°C to +85°C
Storage temperature	-40°C to +90°C
Current consumption	10 mA + output current
Secondary Internal Resistance (at 25°C).....	48Ω
Package	flame retardant plastic case, UL94V-0
Weight	22 grams
Mounting	Designed to mount directly on PCB via through hole connection pins
Output reference.....	To obtain a positive output on terminal M, input current must flow in the direction of the arrow (conventional flow)

Notes:

1. Excludes zero current offset
2. The sensor offers a choice of 5 measuring rangess(refer to table 2 and mechanical dimensions)
3. With ±18V, R_M <1Ω, at +25°C, for 3 seconds only.
4. Due to continuous process improvement, all specifications are subject to change without notice.

Mechanical Dimensions

All dimensions are in inches (millimeters)

Model CLSM-25

Table 1 (Rm Max)

At max input amp turns (peak) Supply voltage	25 A.T.	50 A.T.	100 A.T.	200 A.T.
± 12 V	300 Ω	120 Ω	30 Ω	--
± 15 V	420 Ω	280 Ω	60 Ω	--
± 18 V	540 Ω	240 Ω	90 Ω	1 Ω

Connection Schematic

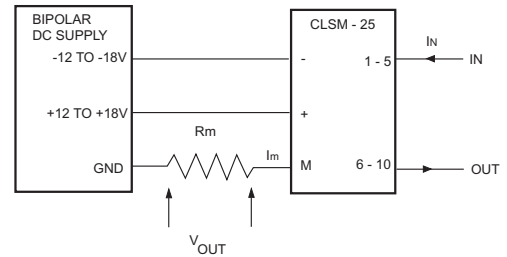
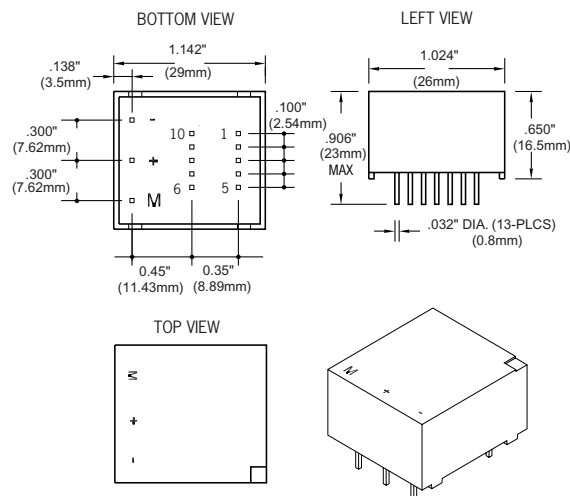


Table 2 Primary Turns (Input Pins) Connection

Primary Turns	Nom. Input Current (A)	Nom. Output Current (mA)	Turns Ratio	Input Resistance (m Ω)	Input Pins Connection
1	25	25	1/1000	0.1	
2	12	24	2/1000	0.7	
3	8	24	3/1000	1.5	
4	6	24	4/1000	2.3	
5	5	25	5/1000	2.6	

Mechanical Dimensions



Note: Due to continuous process improvement, all specifications are subject to change without notice.