

# VR SERIES

## AUTOMOTIVE RELAY SOCKETS

### DESCRIPTION

5 Pin Automotive Micro Relay Sockets

### CONSTRUCTION

- Contacts** • Brass, Bright Tin Plated  
**Molding** • Heat Stabilized Thermoplastic, 130° C Continuous use Temperature Rating

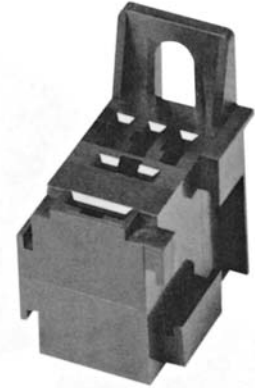
### ORDERING CODE

PART NO.	DESCRIPTION	TERMINAL TYPE
VR04-PCB-0	4 Pin Automotive (Fig. 1)	PC Board
VR05-PCB	5 Pin Automotive (Fig. 2)	PC Board
VR05-SPCB	5 Pin Automotive (Fig. 2)	PC Board
VR05-LFW	5 Pin Automotive (Fig. 3)	Crimp (see chart)
VR05-FW	5 Pin Automotive (Fig. 4)	Crimp (see chart)

### TERMINAL COMPATIBILITY CHART

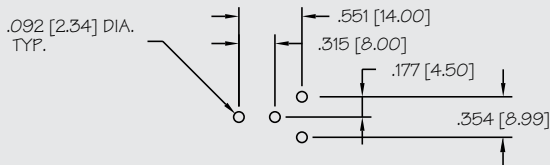
Custom Connector Corporation recommends the following terminals to be used in conjunction with our VR Series relay socket series. All Parts listed below need to be purchased separately.

ORDER FROM	PART NO.	AWG	BLADE
FCI Automotive	JW-1230-2	12-14	1/4"
FCI Automotive	JW-1630-2	16-18	1/4"
AMP	42100	14-18	1/4"
AMP	42281	14-18	1/4"
AMP	42904	12-16	1/4"
AMP	60249	12-16	1/4"
Grote & Hartmann	26313	18	3/16"

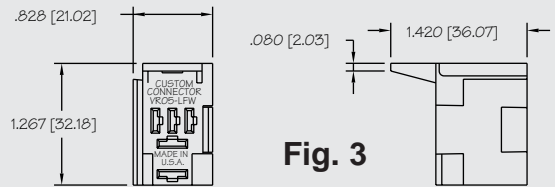
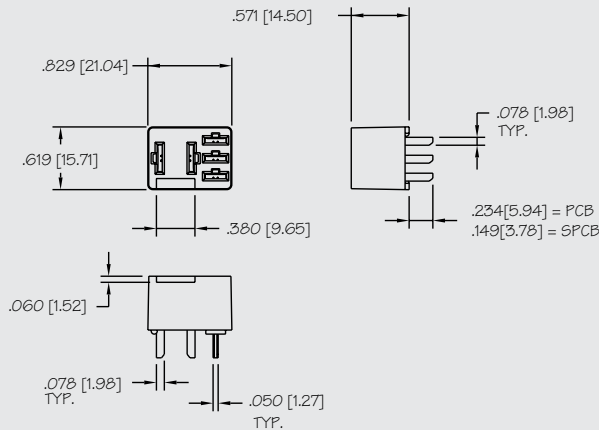
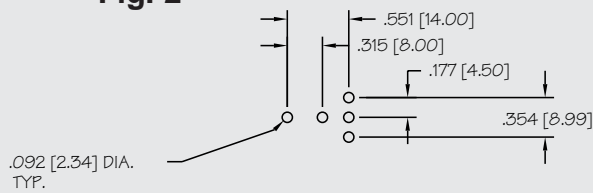


CUSTOM CONNECTOR

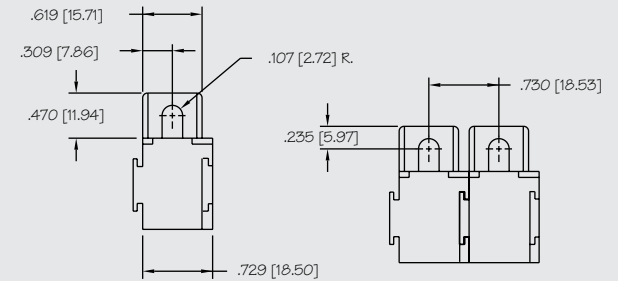
**Fig. 1** PC BOARD LAYOUT



**Fig. 2** PC BOARD LAYOUT



**Fig. 3**



**Fig. 4**

