

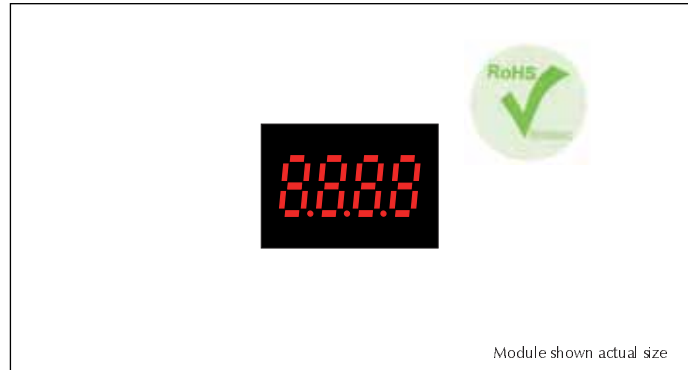
PRODUCT DESCRIPTION

This low cost sub-miniature LED module is ideally suited for high volume data display applications. It features an exceptionally large display in a miniature package and includes 4 digits and 3 decimal points. The module accepts a clocked serial bitstream which corresponds with the segments to be displayed, and a data enable input to latch the data onto the LEDs and up to 4 external LEDs. The use of low current display technology means this LED product can be considered for battery powered applications. The OEM 4-LED is dimensionally compatible with other displays in the OEM family. Connection to the module is via two rows of pins 0.1" (x0.5") pitch.

FEATURES

- 8mm (0.31") Digit Height
- 20mA (typ) @ +5V d.c. Power Supply
- Serial Data Input
- All Segments Addressable
- User Selectable Decimal Points
- Drives up to 4 External LEDs
- DIL Pin Connection 0.1" Pitch

This datasheet should be read in conjunction with the PS035 device datasheet. A link to this is available at www.lascarelectronics.com on the OEM 4-LED product information page.



TYPICAL APPLICATIONS

- High Volume, Low Cost Systems
- Handheld Indication
- Panel-Mount Indication

ORDERING INFORMATION

Standard Display

Stock Number
OEM 4-LED

ELECTRICAL SPECIFICATIONS

Specification	Min.	Typ.	Max.	Unit
Supply voltage	4	5	9	V d.c.
Supply current		20		mA
Operating temperature range	-10		60	°C
Storage temperature range	-10		60	°C
V _{LED}		3		V d.c.
Clock input frequency		500		kHz

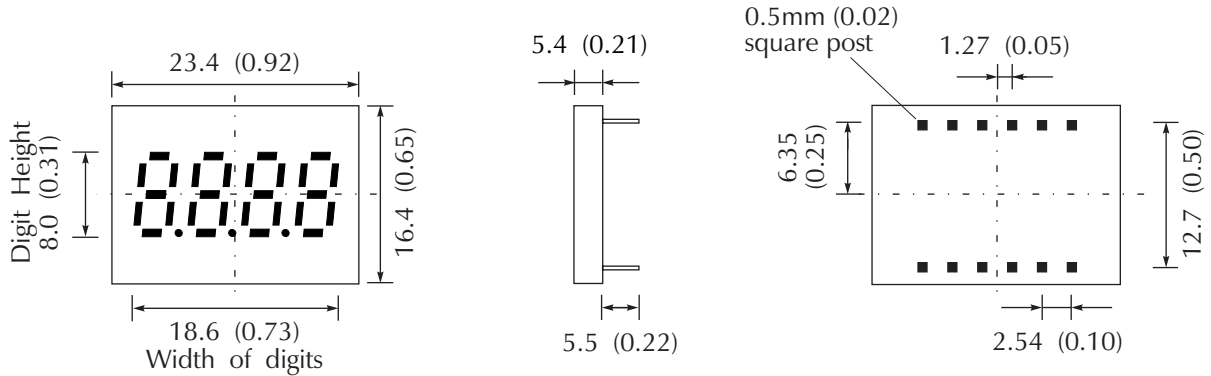
Unless otherwise noted, specifications apply at T_A=25°C, V_{supply}=5V d.c.

SAFETY

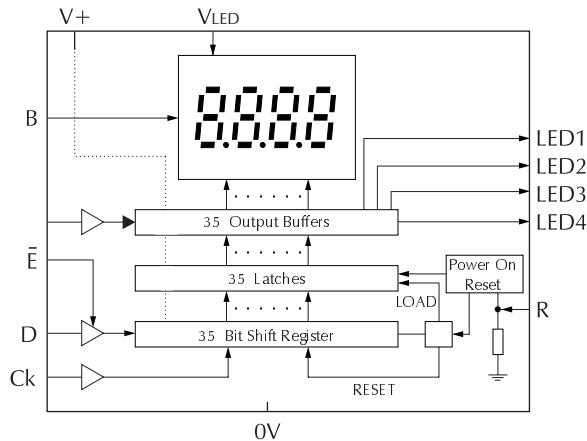
To comply with the Low Voltage Directive (LVD 93/68/EEC), input voltages to the module's pins must not exceed 60Vdc. The user must ensure that the incorporation of the panel meter into the user's equipment conforms to the relevant sections of BS EN 61010 (Safety Requirements for Electrical Equipment for Measuring, Control and Laboratory Use).

DIMENSIONS

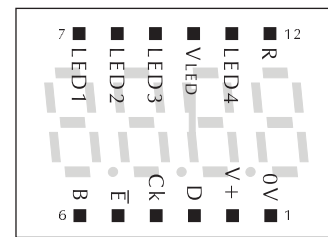
All dimensions in mm (inches)



FUNCTIONAL BLOCK DIAGRAM



PIN CONFIGURATION (rear view)



PIN FUNCTIONS

- | | | |
|-----|-------|--|
| 1. | 0V | Negative power supply to the display. |
| 2. | V+ | Positive power supply to the display. |
| 3. | D | Serial data input. |
| 4. | Ck | Clock input. |
| 5. | E-bar | Data enable input (actively held low). |
| 6. | B | Brightness control (see Applications). |
| 7. | LED1 | Drive pin for external LED (Bit 33). |
| 8. | LED2 | Drive pin for external LED (Bit 34). |
| 9. | LED3 | Drive pin for external LED (Bit 32). |
| 10. | VLED | Display drive voltage. |
| 11. | LED4 | Drive pin for external LED (Bit 35). |
| 12. | R | Reset - take high to reset. |