

## D-621-0011 Product Details

**Detailed product features are not currently available online.**

Product features can often be found by referring to the available documents. [Contact us](#) for information about this product.

No Image Available

### D-621-0011

Not EU RoHS or ELV Compliant

### D-621-0011

TE Internal Number: 601154-000



Active

### Documentation & Additional Information

#### Product Drawings:

- [Connector, Triaxial, Subminiature, Threaded Couple](#) (PDF, English)

#### Catalog Pages/Data Sheets:

- None Available

#### Product Specifications:

- None Available

#### Application Specifications:

- None Available

#### Instruction Sheets:

- None Available

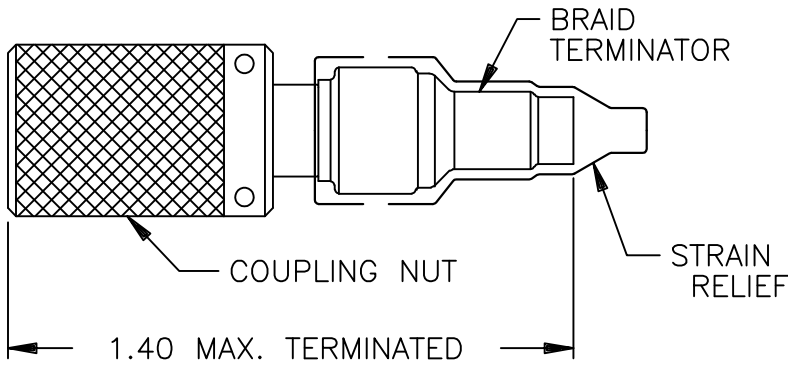
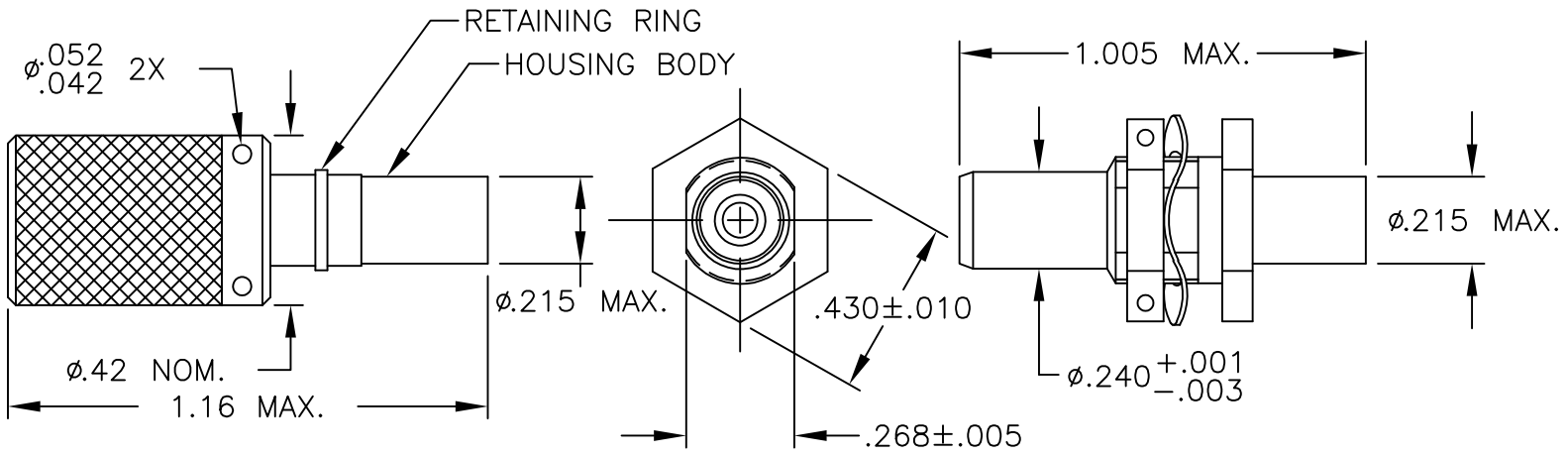
#### CAD Files:

- None Available

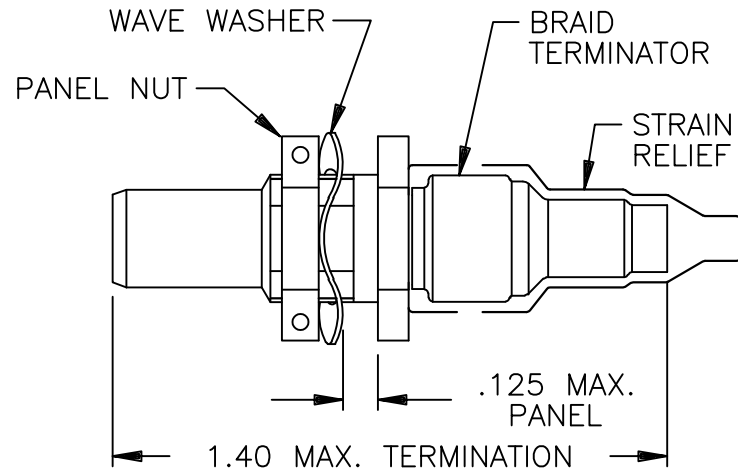
#### Related Products:

- [Tooling](#)

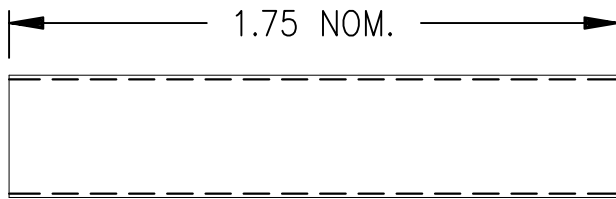
REVISIONS			
LTR	DESCRIPTION	DATE	APPROVED
U1	REVISED PER ECO-11-005139	20APR11	HMR



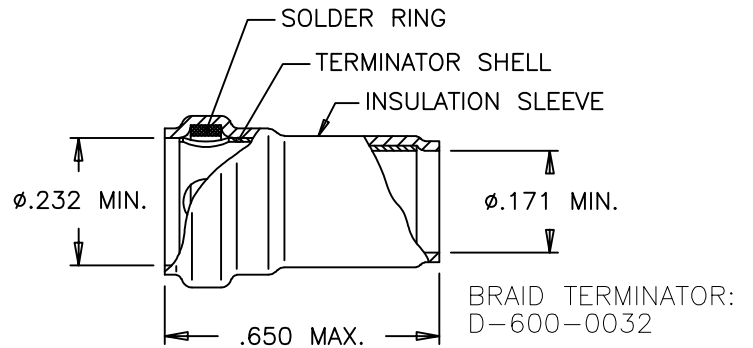
PLUG ASSEMBLY: D-621-0011



JACK ASSEMBLY: D-621-0012



STRAIN RELIEF: D-600-0019



IF THIS DOCUMENT IS PRINTED IT BECOMES UNCONTROLLED.  
CHECK WITH THE WEB FOR LATEST REVISION.

# SPECIFICATION CONTROL DRAWING

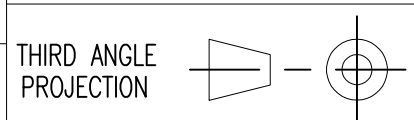
UNLESS OTHERWISE SPECIFIED  
DIMENSIONS ARE IN INCHES.  
METRIC DIMENSIONS ARE  
IN BRACKETS.

DECIMALS  
.XXX ± — [ — mm ]  
.XX ± — [ — mm ]

ANGLES  
.X ± —

WEIGHT  
— lbs [ — g ]

DRAWN	J.B.K.	90 NOV 15
CHECKED		
APPROVED		
APPROVED	Z.TEMAN	90 NOV 30
CAD NAME	004996-1.DWG	



**STE** TE Connectivity **Raychem** TE CONNECTIVITY  
300 CONSTITUTION DRIVE  
MENLO PARK, CALIFORNIA 94025

TITLE  
CONNECTOR, TRIAXIAL,  
SUBMINIATURE,  
THREADED COUPLE

SIZE	CODE IDENT. NO.	DWG. NO.	REV
A	06090	D-621-0011/0012	U1
DO NOT SCALE THIS DRAWING			SHEET 1 OF 2

1.0 MATERIALS AND FINISHES

- 1.1 HOUSING BODY (PLUG): BRASS ALLOY PER ASTM B16,  
TIN PLATED PER MIL-T-10727 TYPE I,  
OVER NICKEL PER MIL-C-26074
- (JACK): BeCu ALLOY, ASTM B196, TB00 OR TD04,  
TIN PLATED PER MIL-T-10727 TYPE I,  
OVER NICKEL PER MIL-C-26074
- 1.1.1 INSULATION (MIP): POLYETHERSULFONE
- 1.2 COUPLING NUT (PLUG): BRASS ALLOY PER ASTM B16,  
NICKEL PLATED PER QQ-N-290
- 1.3 PANEL NUT (JACK): BRASS ALLOY PER ASTM B16,  
NICKEL PLATED PER QQ-N-290
- 1.4 WAVE WASHER (JACK): BECU PER ASTM B194 NT 180K TS  
NICKEL PLATED PER QQ-N-290
- 1.5 BRAID TERMINATOR
- 1.5.1 BODY: BRASS ALLOY PER ASTM B16, TIN-LEAD PLATED  
PER MIL-P-81728A, OVER NICKEL PER QQ-N-290
- 1.5.2 SOLDER PREFORM: Sn63Pb37 PER QQ-S-571
- 1.5.3 INSULATION SLEEVE: POLYVINYLIDENE FLUORIDE
- 1.6 STRAIN RELIEF: WHITE TAT-125 (RNF-100 WITH ADHESIVE)

2.0 CONTACTS

CABLE TYPE	TRIAxIAL	TWINAXIAL	COAXIAL
CONTACT(S)	D-602-44 (PIN) D-602-45 (SOCKET)	D-602-0126 (PIN) D-602-0127 (SOCKET)	D-610-09 (PIN) D-610-10 (SOCKET)

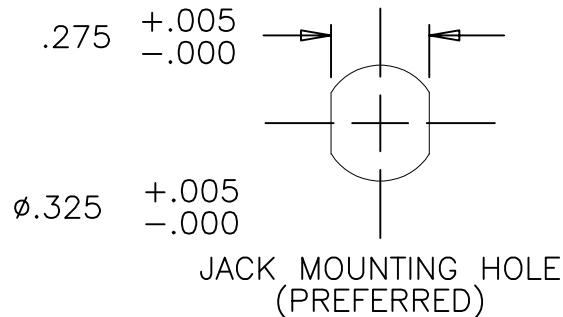
3.0 SEE ES61162 FOR CABLE ACCOMODATION AND TERMINATION INFORMATION.

4.0 PERFORMANCE REQUIREMENTS

4.1 REFER TO RAYCHEM SPECIFICATION D-6025 FOR PRODUCT PERFORMANCE AND QUAILIFICATION REQUIREMENTS.

5.0 GENERAL CHARACTERISTICS

- 5.1 OPERATING TEMPERATURE: -65°C TO 125°C
- 5.2 INSULATION RESISTANCE: GREATER THAN 5K MEG
- 5.3 DIELECTRIC STRENGTH: 900 VAC @ 60 Hz
- 5.4 CURRENT RATING: 3 AMPS MAX.
- 5.5 CONTACT RESISTANCE: INITIAL: 8 MILLIOHMS MAX.
- 5.6 MATING COUPLING TORQUE: 10 INCH/LBS MAX.
- 5.7 PANEL NUT TORQUE (JACK): 10-15 INCH/LBS (WHEN INSTALLING IN PANEL)



IF THIS DOCUMENT IS PRINTED IT BECOMES UNCONTROLLED.  
CHECK WITH THE WEB FOR LATEST REVISION.

CAD NAME: 004996-2	DRAWN	J.B.K.	90 NOV 15	SIZE	CODE IDENT. NO.	DWG. NO.	REV.
	ISSUED			A	06090	D-621-0011/0012	U1
DO NOT SCALE THIS DRAWING						SHEET 2 OF 2	