

8-1194757-5 Product Details

Detailed product features are not currently available online.

Product features can often be found by referring to the available documents. [Contact us](#) for information about this product.

No Image Available

D-621-0001

[Not EU RoHS or ELV Compliant](#)

8-1194757-5
(D-621-0001)

TE Internal Number: 601107-000



Active

Documentation & Additional Information

Product Drawings:

- [Connector, Plug Subminiature, Triaxial](#) (PDF, English)

Catalog Pages/Data Sheets:

- None Available

Product Specifications:

- None Available

Application Specifications:

- None Available

Instruction Sheets:

- None Available

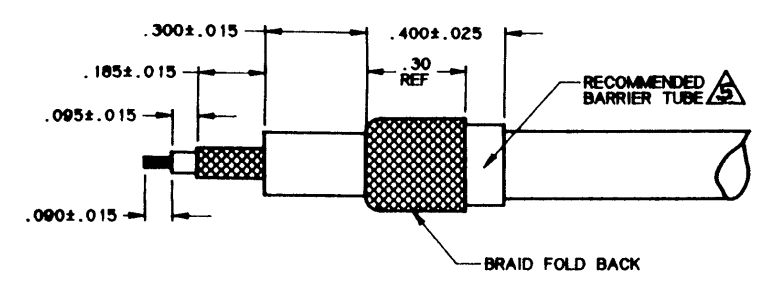
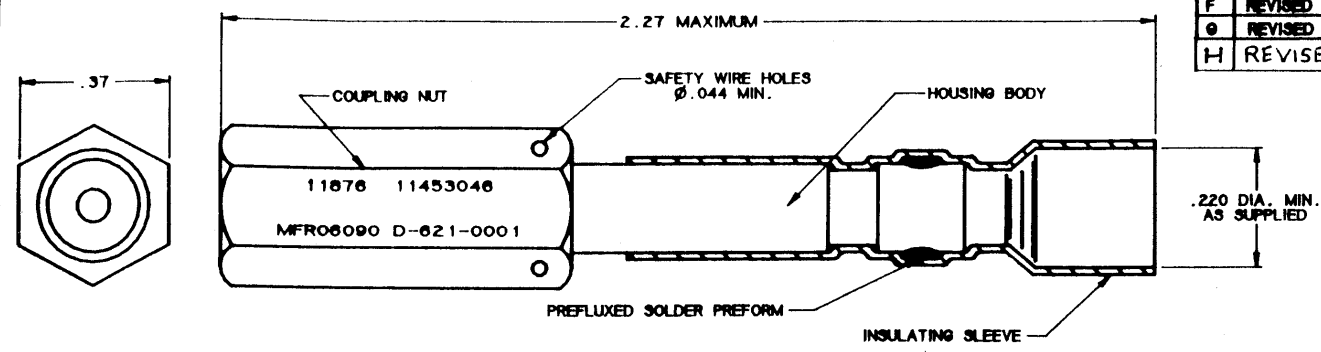
CAD Files:

- None Available

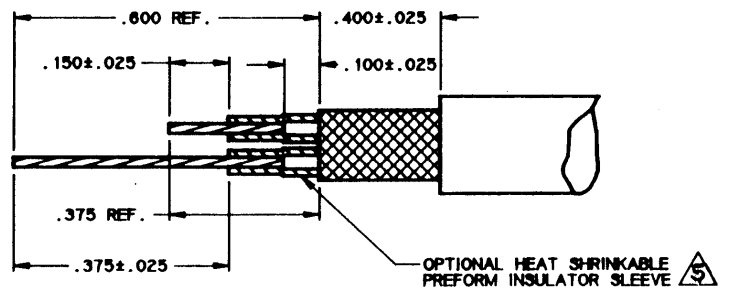
Related Products:

- [Tooling](#)

REVISIONS			
LTR	DESCRIPTION	DATE	APPROVED
F	REVISED PER ECN T-9145	871210	Z.T.
G	REVISED PER ECN T-11482	890123	M. H. [Signature]
H	REVISED PER ECN # T-20028	95/4/19	[Signature]



TRIAx STRIP
(RAYTHEON #10270730)



TWINAX STRIP ⚠
(RAYTHEON MIS-20064/1-001)

NOTES:

1. PART DESCRIPTION: CONNECTOR, PLUG SUBMINIATURE, TRIAXIAL (RAYTHEON # 11453046) COMPLETE WITH PREFLUXED SOLDER PREFORM RING AND HEAT SHRINKABLE SLEEVE.

MATERIAL:

- HOUSING BODY: BRASS ALLOY PER ASTM B16 (QQ-B-626)
- COUPLING NUT: STAINLESS STEEL, TYPE 303 PER ASTM A582.
- INSULATING SLEEVE: HEAT SHRINKABLE, POLYVINYLIDENE FLUORIDE (TRANSPARENT BLUE)
- SOLDER RING: PREFLUXED SOLDER PREFORM. COMPOSITION Sn63, FLUX TYPE RMA, PER QQ-3-571.
- INSULATOR: THERMOPLASTIC PER LP 392.

FINISH:

- HOUSING BODY: TIN PLATED PER MIL-T-10727
- COUPLING NUT: PASSIVATED PER QQ-P-35B.

2. HOUSING ACCOMMODATION: HOUSING DESIGNED TO ACCEPT SHIELDED CONTACTS MIS-20067/1 THRU MIS-20067/4 SHIELDED, RAYCHEM SOLDERCONTACT D-602-44/45 AND D-602-54/55.

3. WIRE SIZE: HOUSING WILL TERMINATE OUTER SHIELD OF TRIAX/TWINAX CABLE HAVING A SHIELD DIA. OF .185 MAX.

4. MATING CONNECTORS: THIS CONNECTOR WILL MATE WITH D-621-0002 (RAYTHEON # 11453047) AND D-621-0003 (RAYTHEON # 11453046) CONNECTOR, JACK, TRIAXIAL, BULKHEAD.

⚠ ITEMS SUPPLIED AS PART OF CONNECTOR ASSEMBLY.

Ⓞ RECOMMENDED TWINAX STRIPPING TOOL AD-1479 OR AD-1496.

⚠ SEE PROCEDURE ES 61124 FOR TERMINATION INFORMATION.

If this document is printed it becomes uncontrolled.
Check with the web for latest revision.

ACCESSORIES ⚠ ⚠	
CTA-0012	BARRIER TUBE
CTA-0013	PREFORM INSULATOR SLEEVES (2)
D-600-0024	STRAIN RELIEF

SPECIFICATION CONTROL DRAWING © Raychem Corporation 1988

UNLESS OTHERWISE SPECIFIED DIMENSIONS ARE IN INCHES. METRIC DIMENSIONS ARE IN BRACKETS.		DRAWN	CRN	761018	Raychem		RAYCHEM CORPORATION 380 CONSTITUTION DRIVE MIRALO PARK, CALIFORNIA 94543	
DECIMALS	.XXX ± .005 [mm]	CHECKED	R. YATES	761020	TITLE			
	.XX ± .01 [mm]	APPROVED	R. YATES	761020	CONNECTOR, PLUG SUBMINIATURE, TRIAXIAL			
ANGLES	.X ±	CAD NAME		SIZE				
WEIGHT	lbs [g]	THIRD ANGLE PROJECTION		A		ORD. NO.	D-621-0001	REV
				DO NOT SCALE THIS DRAWING		REV		H

D-621-0001