

601072-000 Product Details

Detailed product features are not currently available online.

Product features can often be found by referring to the available documents. [Contact us](#) for information about this product.

No Image Available

D-607-10

[Not EU RoHS or ELV Compliant](#)

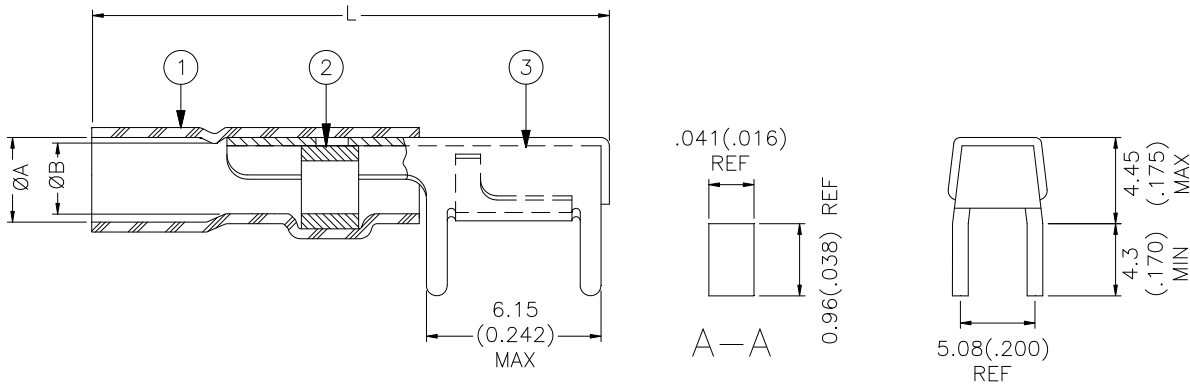
601072-000 (D-607-10)

TE Internal Number: 601072-000

 Active

Documentation & Additional Information	
<p>Product Drawings:</p> <ul style="list-style-type: none">PCB Terminator (PDF, English) <p>Catalog Pages/Data Sheets:</p> <ul style="list-style-type: none">None Available <p>Product Specifications:</p> <ul style="list-style-type: none">None Available <p>Application Specifications:</p> <ul style="list-style-type: none">None Available <p>Instruction Sheets:</p> <ul style="list-style-type: none">None Available <p>CAD Files:</p> <ul style="list-style-type: none">None Available	<p>Related Products:</p> <ul style="list-style-type: none">Tooling

CUSTOMER DRAWING



Product Name	Product Dimensions			Cable Dimensions	
	L max	ØA min	ØB min	ØD	ØE ¹
D-607-10	24.0 (0.945)	4.0 (0.155)	2.8 (0.110)	1.8 to 4.0 (0.070 to 0.155)	1.9 to 2.8 (0.075 to 0.110)

1) Shield may be folded back over jacket to increase diameter.

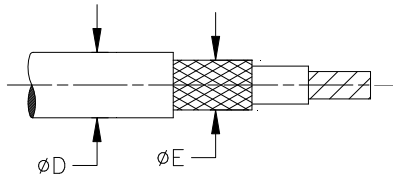
MATERIALS

- INSULATION SLEEVE:** Heat-shrinkable, transparent blue, radiation cross-linked polyvinylidene fluoride.
- SOLDER PREFORM WITH FLUX:**
 SOLDER: TYPE Sn63 per ANSI-J-STD-006.
 FLUX: TYPE ROL1 per ANSI-J-STD-004.
- TERMINATOR BODY BASE METAL:** Copper alloy.
 Plating: Tin lead solder per SAE Specification AMS-P-81728.

APPLICATION

- These parts are designed to provide an environment protected shield termination on cables, rated for 125°C minimum, meeting the dimensional criteria listed, having tin, or silver plated copper shields.
- Temperature range: -55°C to +150°C. Install using Raychem-approved convection or infrared tools in accordance with TE Connectivity assembly procedure ES-61139.

For best results, prepare the cable as shown:



			TITLE: PCB TERMINATOR		
Unless otherwise specified dimensions are in millimeters. [Inches dimensions are shown in brackets] DIMENSIONING AND TOLERANCING PER ASME Y14.5-2009			Raychem Devices		
TOLERANCES: 0.00 N/A 0.0 N/A 0 N/A			ANGLES: N/A ROUGHNESS IN MICRON		Tyco Electronics reserves the right to amend this drawing at any time. Users should evaluate the suitability of the product for their application.
PREPARED BY: RODRIGUEZ		CAGE CODE: 06090	ECO NUMBER: ECO-12-016931		REV: H DATE: September 20, 2012
SCALE: NTS			SIZE: A	SHEET: 1 of 1	