



CONTACT • REQUEST A QUOTE

PRODUCTS

RESOURCES

COMPANY

PART NUMBER SEARCH

search site



« Clamping Knobs

Three Arm Clamping Knobs Series #3022

Clamping knobs are available in different materials, thermoplastic, and phenolic for a multiple of applications.

A variety of shapes and diameters with plain, tapped bosses or with studs are available with standard threads to fit the application.

Perfect for the industrial machinery, medical, general equipment and other industrial applications.

Knobs can be decorated or customized to your specific need.

Davies Molding is pleased to introduce our series of soft touch knobs and handles. Our soft touch parts are molded with a soft thermoplastic overmolded "rubber" top with a tough thermoplastic body underneath. The soft feel of the knob provides a comfortable touch with a sure grip.

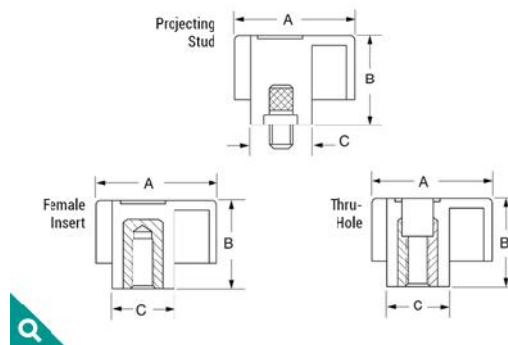
Colors available upon request.

Please note: Not all variations available are listed below. Please [contact Customer Service](#) to inquire about all available options.



REQUEST CAD DRAWING

REQUEST A QUOTE



Item #	Diameter A	Height B	Hub C	Material Type	Mounting Diameter	Mounting Type	Thread Length/Depth	Color
3022	0.88	0.75	0.5	Thermoset	8-32	Female Insert	0.375	BLACK
3022-A	0.88	0.75	0.5	Thermoset	10-24	Female Insert	0.375	BLACK
3022-B	0.88	0.75	0.5	Thermoset	10-32	Female Insert	0.375	BLACK
3022-C	0.88	0.75	0.5	Thermoset	1/4-20	Female Insert	0.375	BLACK
3022-D	0.88	0.75	0.5	Thermoset	8-32	Projecting Stud	0.50	BLACK
3022-E	0.88	0.75	0.5	Thermoset	10-24	Projecting Stud	0.50	BLACK
3022-F	0.88	0.75	0.5	Thermoset	10-32	Projecting Stud	0.75	BLACK
3022-G	0.88	0.75	0.5	Thermoset	1/4-20	Projecting Stud	0.50	BLACK
3022-J	0.88	0.75	0.5	Thermoset	10-32	Projecting Stud	0.50	BLACK
3022-N	0.88	0.75	0.5	Thermoset	1/4-20	Projecting Stud	0.625	BLACK
3022-Q	0.88	0.75	0.5	Thermoset	1/4-20	Projecting Stud	0.75	BLACK
3022-W	0.88	0.75	0.5	Thermoset	8-32	Projecting Stud	0.375	BLACK
3022-X	0.88	0.75	0.5	Thermoset	1/4-20	Projecting Stud	0.375	BLACK
3022AA	0.88	0.75	0.5	Thermoset	10-32	Projecting Stud	1.00	BLACK
3022AG	0.88	0.75	0.5	Thermoset	1/4-20	Projecting Stud	1.00	BLACK

3022AK	0.88	0.75	0.5	Thermoset	1/4-20	Projecting Stud	0.50	BLACK
3022AP	0.88	0.75	0.5	Thermoset	8-32	Projecting Stud	0.56	BLACK
3022AQ	0.88	0.75	0.5	Thermoset	1/4-20	Projecting Stud	0.875	BLACK
3022AR	0.88	0.75	0.5	Thermoset	1/4-20	Projecting Stud	1.25	BLACK
3022AS	0.88	0.75	0.5	Thermoset	10-32	Projecting Stud	0.50	BLACK
3022AW	0.88	0.75	0.5	Thermoset	8-32	Female Insert	0.375	RED
3022AX	0.88	0.75	0.5	Thermoset	8-32	Projecting Stud	0.50	RED
3022AY	0.88	0.75	0.5	Thermoset	1/4-20	Projecting Stud	1.50	BLACK

PRODUCTS

- Knobs
- Handles
- Leveling Feet
- Latches
- Hinges
- Indexing Plungers
- Electronic Enclosures
- Two-Shot / Soft Touch
- Frac Balls
- Custom Molding

RESOURCES

- Engineering Specifications
- Distributor Listing
- Sales Representative Listing

COMPANY

- About Us
- Capabilities
- Certifications
- Contact Us
- Blog
- Careers

QUESTIONS ?

Copyright © 2016 Davies Molding, LLC. All Rights Reserved.
 350 Kehoe Blvd. | Carol Stream, IL 60188-1818 | Phone: (800) 554-9208 | Fax: (630) 510-9944