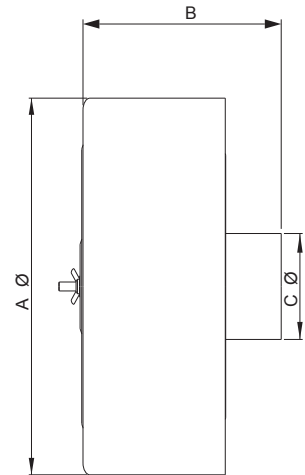


Inlet Filters protect the blower and the air distribution system from dust, and other airborne particles and contaminants. Normally used in pressure systems.

SPECIFICATIONS:

- HOUSING – Steel
- MEDIA – Polyester
- EFFICIENCY – 97-98% (8 to 10 micron particle size)
- FILTER ELEMENT – Replaceable (see filter elements) NOTE: “Z” MEDIA (1 to 3 micron particle size) available



Specification	Units	Part/Model Number								
		477411	516466	515122	515123	515124	515125	515145	515151	516511
Filter Element	-	A	B	C, D	E	E	F	G	H	H
Ref Blower Model	-	271078	515132	515132	515133	515134	515134	515134	515135	516515
Outlet Connection	-	2.00 SO	1.00 NPT	1.50 NPT	2.00 NPT	2.00 NPT	2.50 NPT	3.00 NPT	4.00 NPT	6.00 NPT
Dimension A	Inches	4.56	6.00	6.00	7.75	10.00	10.00	10.00	10.00	16.00
	mm	115.8	152.4	152.4	196.9	254	254	254	254	406.4
Dimension B	Inches	6.12	6.50	6.50	7.25	12.25	12.50	13.00	14.00	15.00
	mm	155.4	165.1	165.1	184.2	311.2	317.5	330.2	355.6	381
Dimension C	Inches	2.00	1.00	1.5	2.00	2.00	2.50	3.00	4.00	6.00
	mm	50.8	25.4	38.1	50.8	50.8	63.5	76.2	101.6	152.4
Z Media Filter PN	-		517865	517866	517867	517868	517869	517870	517871	517872

A = SPIRAL	E = DR/EN/CP 656, 6, 633, S7
B = DR/EN/CP 068, 083, 101, 202	F = DR/EN/CP 757, 808, 858, S9, P9 (Inlet Only)
C = DR/EN/CP 303, 312, 313, 353	G = DR/EN/CP 833, S13, P13 (Inlet Only)
D = DR/EN/CP 404, 454, 513, 505, 555, 523	H = DR/EN/CP 909, 979, 1233, 14, S15, P15 (Inlet Only)

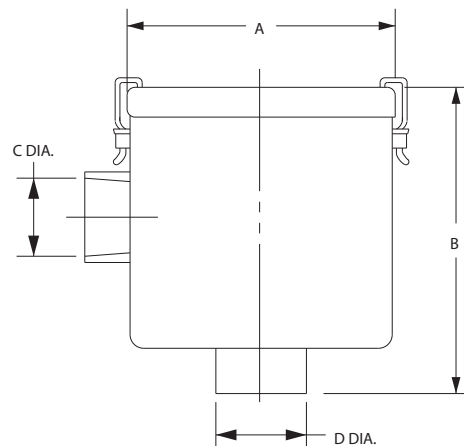
This document is for informational purposes only and should not be considered as a binding description of the products or their performance in all applications. The performance data on this page depicts typical performance under controlled laboratory conditions. AMETEK is not responsible for blowers driven beyond factory specified speed, temperature, pressure, flow or without proper alignment. Actual performance will vary depending on the operating environment and application. AMETEK products are not designed for and should not be used in medical life support applications. AMETEK reserves the right to revise its products without notification. The above characteristics represent standard products. For product designed to meet specific applications, contact AMETEK Technical & Industrial Products Sales department.

Inline Filters protect the blower from harmful dust and other particles that may be drawn into the blower through the air distribution system. Normally used in vacuum systems.

SPECIFICATIONS:

- HOUSING – Steel
- MEDIA – Polyester
- EFFICIENCY – 97-98% (8 to 10 micron particle size)
- FILTER ELEMENT – Replaceable (see filter elements) NOTE: “Z” MEDIA (1 to 3 micron particle size) available
- Feature 1/4" threaded tap for gauge connection on inlet and outlet

Inline filter PN 271200 is a straight through design
Inlet is directly opposite of outlet



Specification	Units	Part/Model Number							
		271200	516461	515254	515255	515256	516463*	516465*	517611*
Filter Element	-	271078	516434	516434	516435	516435	515135	515135	516515
Ref Blower Model	-	A	B	C, D	E	F	G	H	H
Inlet Connection	-	1.75 SO	1.00 NPSC-F	1.50 NPSC-F	2.00 NPSC-F	2.50 NPSC-F	3.00 NPT-M	4.00 NPT-M	6.00 NPT-M
Outlet Connection	-	2.00 SO	1.00 NPSC-F	1.50 NPSC-F	2.00 NPSC-F	2.50 NPSC-F	3.00 NPT-M	4.00 NPT-M	6.00 NPT-M
Dimension A	Inches	5.25	7.25	7.00	8.00	8.00	14.00	14.00	18.00
	mm	133.4	184.2	177.8	203.2	203.2	355.6	355.6	457.2
Dimension B	Inches	8.31	6.50	6.50	10.25	10.25	26.50	27.00	28.00
	mm	211.1	165.1	165.1	260.4	260.4	673.1	685.8	711.2
Dimension C	Inches	2.00	1.00	1.50	2.00	2.50	3.00	4.00	6.00
	mm	50.8	25.4	38.1	50.8	63.5	76.2	101.6	152.4
Dimension D	Inches	1.75	1.00	1.50	2.00	2.50	3.00	4.00	6.00
	mm	44.5	25.4	38.1	50.8	63.5	76.2	101.6	152.4
Z Media Filter PN	-		517886	517887	517888	517889	517890	517891	517892

A = SPIRAL	E = DR/EN/CP 656, 6, 633, S7
B = DR/EN/CP 068, 083, 101, 202	F = DR/EN/CP 757, 808, 858, S9, P9 (Inlet Only)
C = DR/EN/CP 303, 312, 313, 353	G = DR/EN/CP 833, S13, P13 (Inlet Only)
D = DR/EN/CP 404, 454, 513, 505, 555, 523	H = DR/EN/CP 909, 979, 1233, 14, S15, P15 (Inlet Only)

This document is for informational purposes only and should not be considered as a binding description of the products or their performance in all applications. The performance data on this page depicts typical performance under controlled laboratory conditions. AMETEK is not responsible for blowers driven beyond factory specified speed, temperature, pressure, flow or without proper alignment. Actual performance will vary depending on the operating environment and application. AMETEK products are not designed for and should not be used in medical life support applications. AMETEK reserves the right to revise its products without notification. The above characteristics represent standard products. For product designed to meet specific applications, contact AMETEK Technical & Industrial Products Sales department.

Accessories

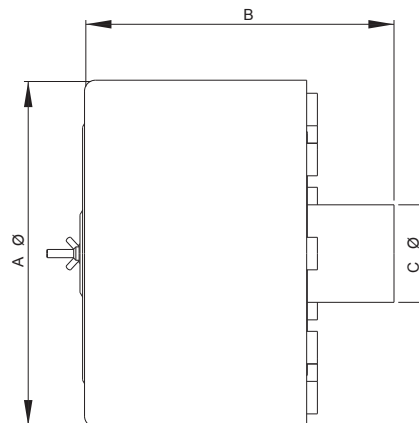
Filtration - Filter Silencers (Single Connection)

ROTRON®

Filter/Silencers reduce noise levels while ensuring clean air is provided to the blower and the air distribution system. Normally used in pressure applications.

SPECIFICATIONS:

- HOUSING – Steel
- MEDIA – Polyester
- EFFICIENCY – 97-98% (8 to 10 micron size)
- FILTER ELEMENT – Replaceable (see filter elements)



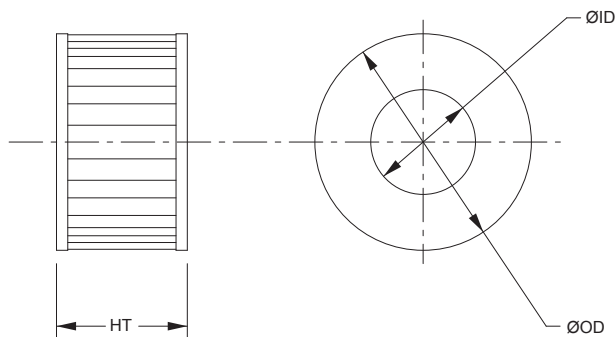
Specification	Units	Part/Model Number							
		516487	516489	516491	516493	516495	516497	516499	516513
Filter Element	-	B	C, D	E	E	F	G	H	H
Ref Blower Model	-	515132	515132	515133	515134	515134	515134	515135	516515
Outlet Connection	-	1.00 NPT	1.50 NPT	2.00 NPT	2.00 NPT	2.50 NPT	3.00 NPT	4.00 NPT	6.00 NPT
Dimension A	Inches	6.00	6.00	10.00	10.00	10.00	10.00	16.00	16.00
	mm	152.4	152.4	254	254	254	254	406.4	406.4
Dimension B	Inches	6.50	6.50	7.25	12.25	12.50	12.50	14.00	15.00
	mm	165.1	165.1	184.2	311.2	317.5	317.5	355.6	381
Z Media Filter PN	-	1.00	1.50	2.00	2.00	2.50	3.00	4.00	6.00
Dimension C	Inches	517878	517879	517880	517881	517882	517883	517884	517885
	mm	13154101.2	13154126.6	13154152	13154177.4	13154202.8	13154228.2	13154253.6	13154279

A = SPIRAL	E = DR/EN/CP 656, 6, 633, S7
B = DR/EN/CP 068, 083, 101, 202	F = DR/EN/CP 757, 808, 858, S9, P9 (Inlet Only)
C = DR/EN/CP 303, 312, 313, 353	G = DR/EN/CP 833, S13, P13 (Inlet Only)
D = DR/EN/CP 404, 454, 513, 505, 555, 523	H = DR/EN/CP 909, 979, 1233, 14, S15, P15 (Inlet Only)

This document is for informational purposes only and should not be considered as a binding description of the products or their performance in all applications. The performance data on this page depicts typical performance under controlled laboratory conditions. AMETEK is not responsible for blowers driven beyond factory specified speed, temperature, pressure, flow or without proper alignment. Actual performance will vary depending on the operating environment and application. AMETEK products are not designed for and should not be used in medical life support applications. AMETEK reserves the right to revise its products without notification. The above characteristics represent standard products. For product designed to meet specific applications, contact AMETEK Technical & Industrial Products Sales department.

All ROTRON Air Filters and Filter/Silencers have replaceable filter elements. The filter media is polyester designed for high efficiency over a wide spectrum of industrial applications. See filter element cross reference table. Filter elements supplied with foam pre-filter.

Standard Replacement Filter Element Cross Reference Table					
Filter	Element	Filter	Element	Filter	Element
271200	271078	515158	515134	516489	515132
477411	271078	515254	516434	516491	515133
515122	515132	515255	516435	516493	515134
515123	515133	515256	516435	516495	515134
515124	515134	516461	516434	516497	515134
515125	515134	516463	515135	516499	515135
515145	515134	516465	515135	516511	516515
515151	515135	516466	515132	516513	516515
515157	515133	516487	515132	517611	516515



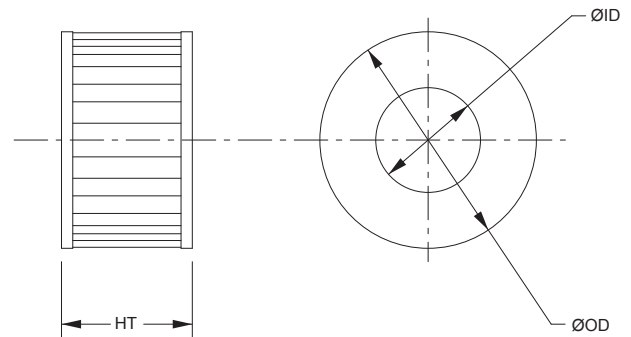
For DR Blower Models

Specification	Units	Part/Model Number						
		515132	515133	515134	515135	516434	516435	516515
Z Media Filter PN	-	517873	517874	517875	517876	517893	517894	517877
Dimension ID	Inches	3.00	3.63	3.5	4.75	2.56	3.50	8.00
	mm	76.2	92.2	88.9	120.7	65	88.9	203.2
Dimension OD	Inches	4.38	5.88	5.88	7.88	5.00	5.88	11.75
	mm	111.3	149.4	149.4	200.2	127	149.4	298.5
Area	Sq/Ft	4.75	4.75	9.50	9.63	4.75	8.75	9.63
	Sq/M	0	0	1	1	0	1	1
Dimension HT	Inches	1.5	2.3	4.5	8.3	2.0	4.5	19.0
	mm	38.1	58.4	114.3	210.8	50.8	114.3	482.6

This document is for informational purposes only and should not be considered as a binding description of the products or their performance in all applications. The performance data on this page depicts typical performance under controlled laboratory conditions. AMETEK is not responsible for blowers driven beyond factory specified speed, temperature, pressure, flow or without proper alignment. Actual performance will vary depending on the operating environment and application. AMETEK products are not designed for and should not be used in medical life support applications. AMETEK reserves the right to revise its products without notification. The above characteristics represent standard products. For product designed to meet specific applications, contact AMETEK Technical & Industrial Products Sales department.

All ROTRON Air Filters and Filter/Silencers have replaceable filter elements. The filter media is polyester designed for high efficiency over a wide spectrum of industrial applications. See filter element cross reference table. Filter elements supplied with foam pre-filter.

Filter	Element	Filter	Element	Filter	Element
271200	271078	515158	515134	516489	515132
477411	271078	515254	516434	516491	515133
515122	515132	515255	516435	516493	515134
515123	515133	515256	516435	516495	515134
515124	515134	516461	516434	516497	515134
515125	515134	516463	515135	516499	515135
515145	515134	516465	515135	516511	516515
515151	515135	516466	515132	516513	516515
515157	515133	516487	515132	517611	516515



For DR Blower Models

Specification	Units	Part/Model Number						
		515132	515133	515134	515135	516434	516435	516515
Z Media Filter PN	-	517873	517874	517875	517876	517893	517894	517877
Dimension ID	Inches	3.00	3.63	3.5	4.75	2.56	3.50	8.00
	mm	76.2	92.2	88.9	120.7	65	88.9	203.2
Dimension OD	Inches	4.38	5.88	5.88	7.88	5.00	5.88	11.75
	mm	111.3	149.4	149.4	200.2	127	149.4	298.5
Area	Sq/Ft	4.75	4.75	9.50	9.63	4.75	8.75	9.63
	Sq/M	0	0	1	1	0	1	1
Dimension HT	Inches	1.5	2.3	4.5	8.3	2.0	4.5	19.0
	mm	38.1	58.4	114.3	210.8	50.8	114.3	482.6

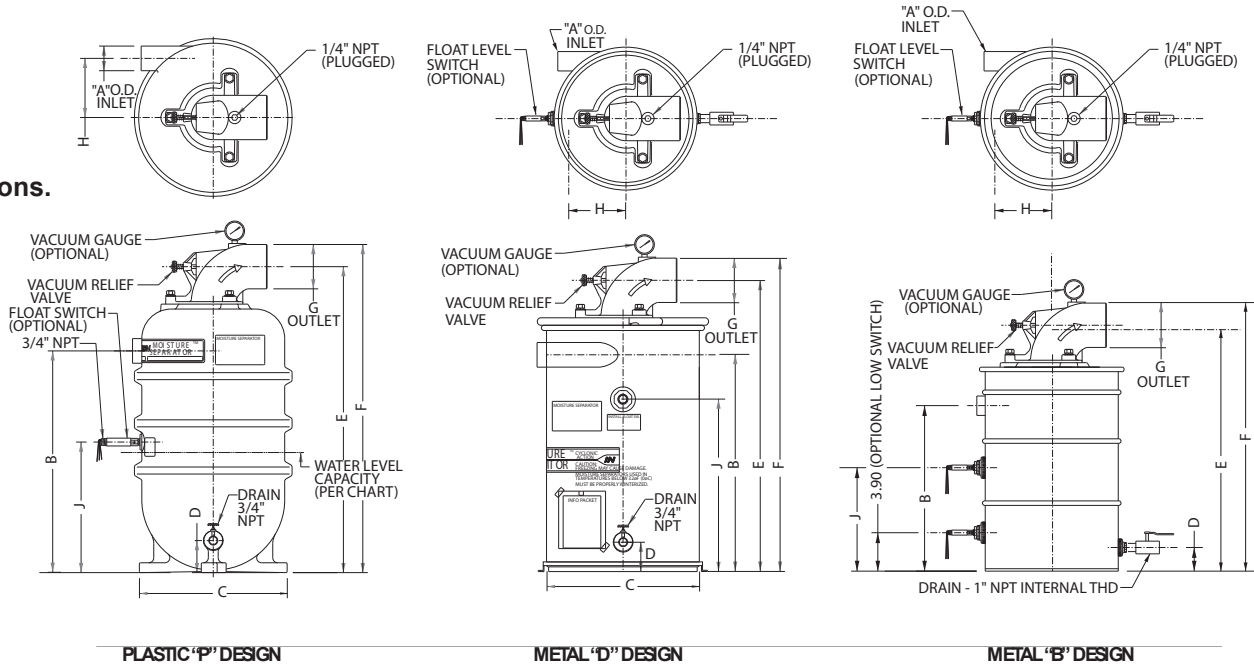
This document is for informational purposes only and should not be considered as a binding description of the products or their performance in all applications. The performance data on this page depicts typical performance under controlled laboratory conditions. AMETEK is not responsible for blowers driven beyond factory specified speed, temperature, pressure, flow or without proper alignment. Actual performance will vary depending on the operating environment and application. AMETEK products are not designed for and should not be used in medical life support applications. AMETEK reserves the right to revise its products without notification. The above characteristics represent standard products. For product designed to meet specific applications, contact AMETEK Technical & Industrial Products Sales department.

Filtration - Moisture Separator

By separating and containing entrained liquids, ROTRON'S™ moisture separator helps protect our regenerative blowers and the end treatment system from corrosion and mineralization damage. Recommended for all soil vacuum extraction Applications.

SPECIFICATIONS:
SEPARATION METHOD – High Efficiency Cyclonic
RELIEF VALVE MATERIAL – Brass & Stainless Steel
FLOAT MATERIAL – Copper
FLOAT SWITCH – SPDT, Explosion-proof
NEMA 7&9, 5 Amp max.

applications.



Specification	Units	Part/Model Number					
		MS200PS 038519	MS300PS 038520	MS350BS 038357	MS500BS 080660	MS600BS 080659	MS1000BS 038914
Dimension A	Inches	2.38	2.88	3.25	3.25	4.00	6.00
	mm	60.5	73.2	82.6	82.6	101.6	152.4
CFM Max.	CFM	200	300	350	500	600	1000
	m3/hr	340	510	595	850	1020	1700
Dimension B	Inches	22.46	22.46	28.00	28.00	27.00	31.00
	mm	570.5	570.5	711.2	711.2	685.8	787.4
Dimension C	Inches	16.00	16.00	23.00	23.00	23.00	27.00
	mm	406.4	406.4	584.2	584.2	584.2	685.8
Dimension D	Inches	3.25	3.25	4.00	4.00	4.00	4.00
	mm	82.6	82.6	101.6	101.6	101.6	101.6
Dimension E	Inches	31.05	31.05	37.25	37.37	37.37	47.32
	mm	788.7	788.7	946.2	949.2	949.2	1201.9
Dimension F	Inches	33.30	33.30	39.50	54.50	54.50	51.70
	mm	845.8	845.8	1003.3	1384.3	1384.3	1313.2
Dimension H	Inches	6	6.00	9.75	9.75	9.25	10.00
	mm	152.4	152.4	247.7	247.7	235	254
Dimension G	Inches	4.50 OD	4.50 D	4.50 OD	6.63 ID	6.63 ID	8.62 OD
	mm	114.3	114.3	114.3	168.4	168.4	218.9
Dimension J	Inches	13.25	13.25	17.50	17.50	17.50	19.88
	mm	336.6	336.6	444.5	444.5	444.5	505
Drain Internal Thd	-	3/4	3/4	1	1	1	1
Shipping Weight	Lbs	42	42	82	95	96	150
	Kg	19.1	19.1	37.2	43.1	43.5	68

This document is for informational purposes only and should not be considered as a binding description of the products or their performance in all applications. The performance data on this page depicts typical performance under controlled laboratory conditions. AMETEK is not responsible for blowers driven beyond factory specified speed, temperature, pressure, flow or without proper alignment. Actual performance will vary depending on the operating environment and application. AMETEK products are not designed for and should not be used in medical life support applications. AMETEK reserves the right to revise its products without notification. The above characteristics represent standard products. For product designed to meet specific applications, contact AMETEK Technical & Industrial Products Sales department.

2.0 Moisture Separator™ Specifications

2.1 Duty

The moisture separator shall be designed for use in a soil vapor extraction system capable of continuous operation with a pressure drop of less than six inches of water at the rated flow of _____ SCFM. The separator shall be capable of operation under various inlet conditions ranging from a fine mist to slugs of water with high efficiency.

2.2 Principle of Operation

The moisture separator shall incorporate cyclonic separation to remove entrained water. The separator must protect against an overflow by fail safe mechanical means. An electrical switch or contact(s) alone is not an acceptable means of protection against overflow, but is a good backup.

2.3 Construction

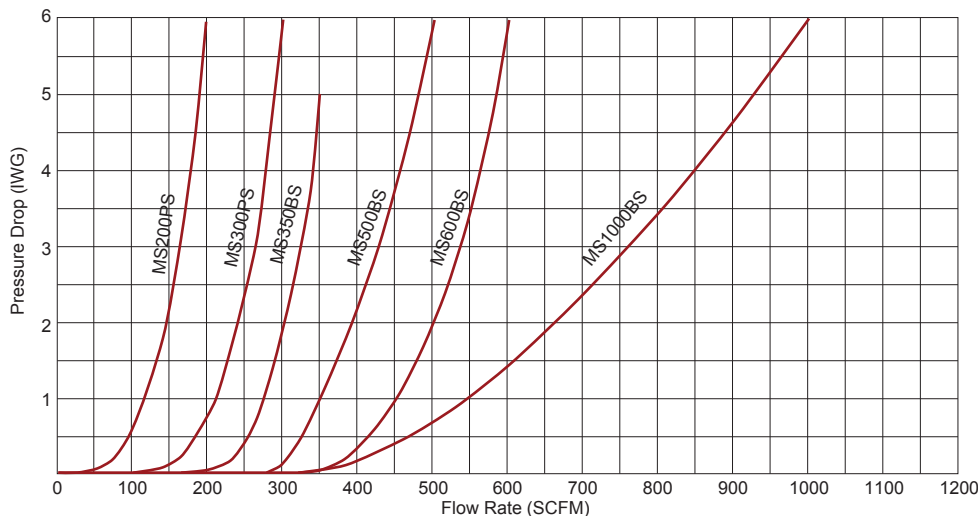
The body of the moisture separator shall be constructed of heavy wall plastic or heavy gauge cold rolled steel. The steel interior and exterior shall be epoxy (powder) coated to resist abrasion, corrosion, and chipping that might expose the surface. The inlet shall be tangentially located and welded to the body. The outlet port shall be constructed of PVC or cast aluminum alloy, flanged and sealed to the center of the top of the separator. The separator shall incorporate a non-sparking copper float ball and an adjustable relief valve to protect against overflow and overheating the blower.

For DR/EN/CP Blower Model	Selector Moisture Separator Model	Liquid-holding Capacity (gallons)	Inlet (OD)	Outlet	Max Vacuum Allow (IHG)
404 454 505 513 523 555 633 833	MS200PS	7	2.38	4.5 OD	12
656 6	MS300PS	7	2.88	6.63 ID	22
757 808	MS350BS	40	3.25		
858 1233	MS500BS		4.0	8.62 OD	
909	MS600BS	6.0			
979 14	MS1000BS	65	6.0	8.62 OD	

2.4 Capacity and Dimension

The moisture separator must have a liquid capacity of _____ gallons. The inlet shall be _____ inch OD slip-on type. The outlet shall be _____ inch OD slip-on type.

2.5 Pressure Drop



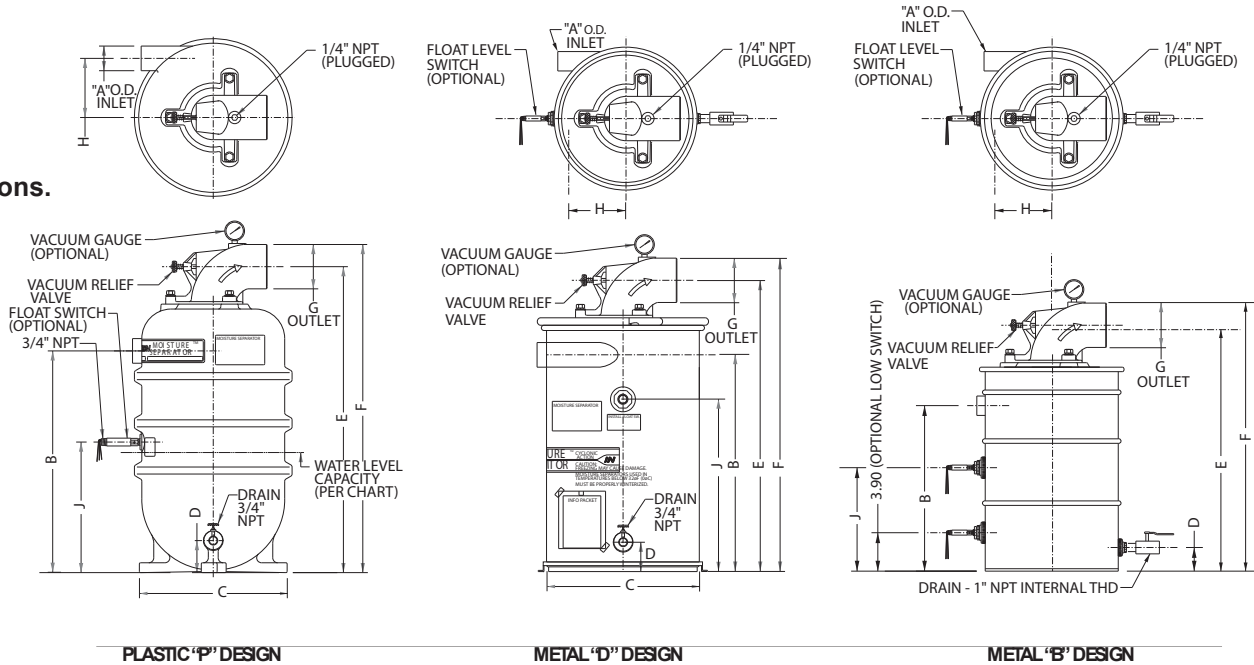
This document is for informational purposes only and should not be considered as a binding description of the products or their performance in all applications. The performance data on this page depicts typical performance under controlled laboratory conditions. AMETEK is not responsible for blowers driven beyond factory specified speed, temperature, pressure, flow or without proper alignment. Actual performance will vary depending on the operating environment and application. AMETEK products are not designed for and should not be used in medical life support applications. AMETEK reserves the right to revise its products without notification. The above characteristics represent standard products. For product designed to meet specific applications, contact AMETEK Technical & Industrial Products Sales department.

Filtration - Moisture Separator

By separating and containing entrained liquids, ROTRON'S™ moisture separator helps protect our regenerative blowers and the end treatment system from corrosion and mineralization damage. Recommended for all soil vacuum extraction Applications.

SPECIFICATIONS:
SEPARATION METHOD – High Efficiency Cyclonic
RELIEF VALVE MATERIAL – Brass & Stainless Steel
FLOAT MATERIAL – Copper
FLOAT SWITCH – SPDT, Explosion-proof
NEMA 7&9, 5 Amp max.

applications.



Specification	Units	Part/Model Number					
		MS200PS 038519	MS300PS 038520	MS350BS 038357	MS500BS 080660	MS600BS 080659	MS1000BS 038914
Dimension A	Inches	2.38	2.88	3.25	3.25	4.00	6.00
	mm	60.5	73.2	82.6	82.6	101.6	152.4
CFM Max.	CFM	200	300	350	500	600	1000
	m3/hr	340	510	595	850	1020	1700
Dimension B	Inches	22.46	22.46	28.00	28.00	27.00	31.00
	mm	570.5	570.5	711.2	711.2	685.8	787.4
Dimension C	Inches	16.00	16.00	23.00	23.00	23.00	27.00
	mm	406.4	406.4	584.2	584.2	584.2	685.8
Dimension D	Inches	3.25	3.25	4.00	4.00	4.00	4.00
	mm	82.6	82.6	101.6	101.6	101.6	101.6
Dimension E	Inches	31.05	31.05	37.25	37.37	37.37	47.32
	mm	788.7	788.7	946.2	949.2	949.2	1201.9
Dimension F	Inches	33.30	33.30	39.50	54.50	54.50	51.70
	mm	845.8	845.8	1003.3	1384.3	1384.3	1313.2
Dimension H	Inches	6	6.00	9.75	9.75	9.25	10.00
	mm	152.4	152.4	247.7	247.7	235	254
Dimension G	Inches	4.50 OD	4.50 D	4.50 OD	6.63 ID	6.63 ID	8.62 OD
	mm	114.3	114.3	114.3	168.4	168.4	218.9
Dimension J	Inches	13.25	13.25	17.50	17.50	17.50	19.88
	mm	336.6	336.6	444.5	444.5	444.5	505
Drain Internal Thd	-	3/4	3/4	1	1	1	1
Shipping Weight	Lbs	42	42	82	95	96	150
	Kg	19.1	19.1	37.2	43.1	43.5	68

This document is for informational purposes only and should not be considered as a binding description of the products or their performance in all applications. The performance data on this page depicts typical performance under controlled laboratory conditions. AMETEK is not responsible for blowers driven beyond factory specified speed, temperature, pressure, flow or without proper alignment. Actual performance will vary depending on the operating environment and application. AMETEK products are not designed for and should not be used in medical life support applications. AMETEK reserves the right to revise its products without notification. The above characteristics represent standard products. For product designed to meet specific applications, contact AMETEK Technical & Industrial Products Sales department.

2.0 Moisture Separator™ Specifications

2.1 Duty

The moisture separator shall be designed for use in a soil vapor extraction system capable of continuous operation with a pressure drop of less than six inches of water at the rated flow of _____ SCFM. The separator shall be capable of operation under various inlet conditions ranging from a fine mist to slugs of water with high efficiency.

2.2 Principle of Operation

The moisture separator shall incorporate cyclonic separation to remove entrained water. The separator must protect against an overflow by fail safe mechanical means. An electrical switch or contact(s) alone is not an acceptable means of protection against overflow, but is a good backup.

2.3 Construction

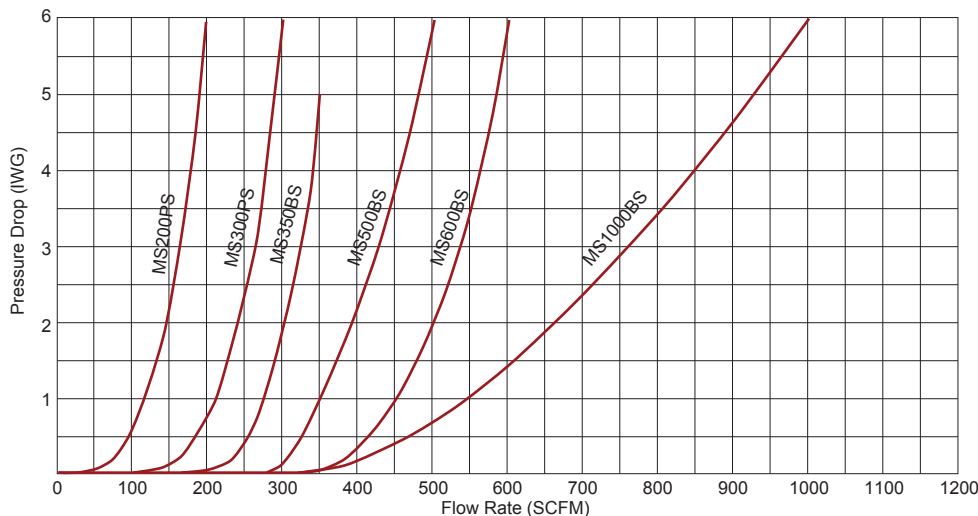
The body of the moisture separator shall be constructed of heavy wall plastic or heavy gauge cold rolled steel. The steel interior and exterior shall be epoxy (powder) coated to resist abrasion, corrosion, and chipping that might expose the surface. The inlet shall be tangentially located and welded to the body. The outlet port shall be constructed of PVC or cast aluminum alloy, flanged and sealed to the center of the top of the separator. The separator shall incorporate a non-sparking copper float ball and an adjustable relief valve to protect against overflow and overheating the blower.

For DR/EN/CP Blower Model	Selector Moisture Separator Model	Liquid-holding Capacity (gallons)	Inlet (OD)	Outlet	Max Vacuum Allow (IHG)
404 454 505 513 523 555 633 833	MS200PS	7	2.38	4.5 OD	12
656 6	MS300PS	7	2.88	6.63 ID	22
757 808	MS350BS	40	3.25		
858 1233	MS500BS		4.0	8.62 OD	
909	MS600BS	6.0			
979 14	MS1000BS	65	6.0	8.62 OD	

2.4 Capacity and Dimension

The moisture separator must have a liquid capacity of _____ gallons. The inlet shall be _____ inch OD slip-on type. The outlet shall be _____ inch OD slip-on type.

2.5 Pressure Drop



This document is for informational purposes only and should not be considered as a binding description of the products or their performance in all applications. The performance data on this page depicts typical performance under controlled laboratory conditions. AMETEK is not responsible for blowers driven beyond factory specified speed, temperature, pressure, flow or without proper alignment. Actual performance will vary depending on the operating environment and application. AMETEK products are not designed for and should not be used in medical life support applications. AMETEK reserves the right to revise its products without notification. The above characteristics represent standard products. For product designed to meet specific applications, contact AMETEK Technical & Industrial Products Sales department.