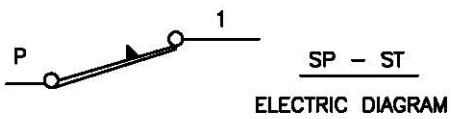
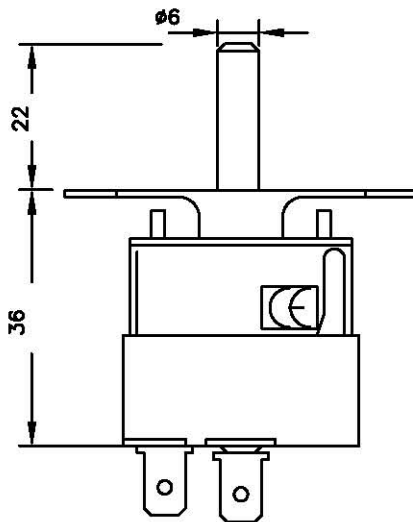
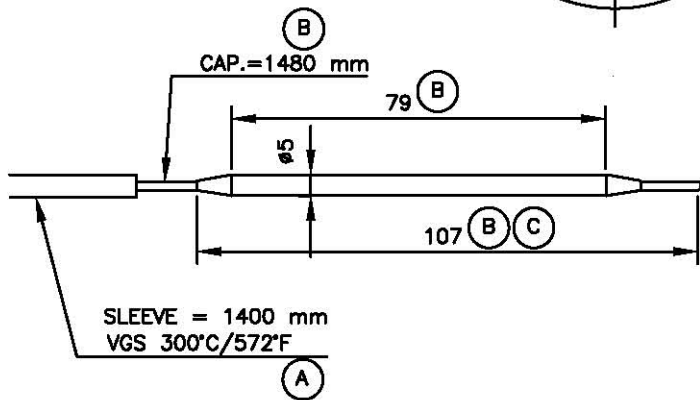
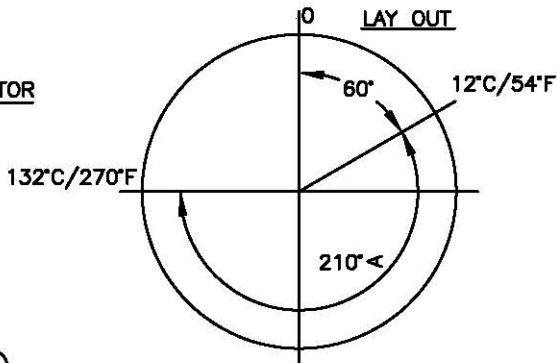
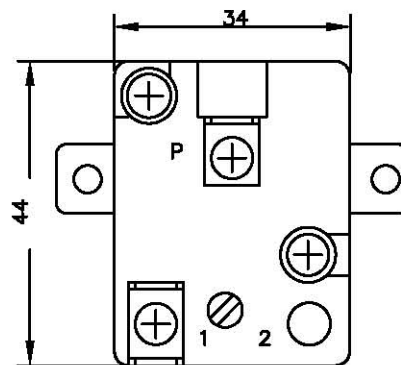
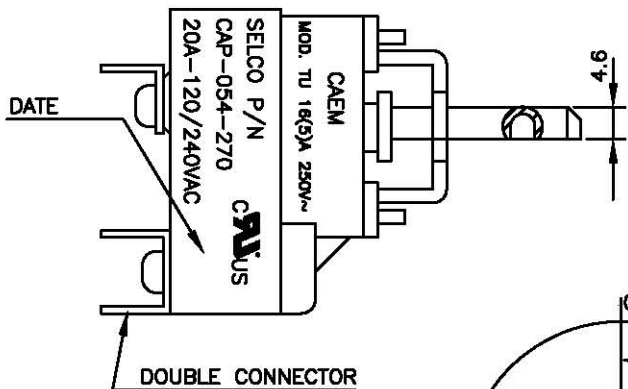
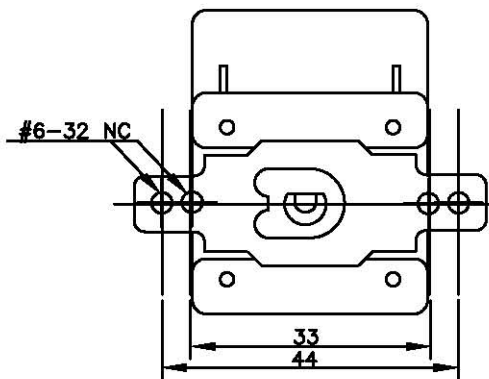


REVISIONS				
ZONE	REV	DESCRIPTION	DATE	APPROVED
	A	INITIAL RELEASE PER ECO	11-12-10	



APPROVALS 03

CONNECTION TABS 1/4"
 MIN CAPILLARY BENDING RADIUS 5 MM
 LAY OUT TEMPERATURE IN LIQUID BATH
 STAINLESS STEEL CAPILLARY AND BULB
 120/240 VAC, 20 A - UL, C.S.A.
 TEMPERATURE RANGE : 12°C-132°C±5°C/54°F-270°F±9°F
 DIFFERENTIAL : 4°C±2°C/7.2°F±3.6°F



UNLESS OTHERWISE SPECIFIED DIMENSIONS ARE IN INCHES [MM] TOLERANCE X ± .125 ANG. ± 5° 10X ± .015 300X ± .005	DRAWN J.HOLTZCLAW	DATE 11-12-10	 8780 TECHNOLOGY WAY, RENO, NV. 89521 1-800-257-3528			
	CHECKED					
	MATERIAL N/A	APPROVED D.MILLER	DATE 11-12-10	PART NO. DESCRIPTION CAP-054-270 BULB AND CAPILLARY THERMOSTAT		
	HEAT TREATMENT N/A	APPROVED		SIZE 1G5X3	CODE INCHENT NO. DWG NO. LP2750C	REV A
FINISH N/A	APPROVED		SCALE: NONE	WT	SHEET: 1 OF 1	

A

B

C

D

E

1
2
3
4
5
6
7