

PROPRIETARY NOTICE

THIS MATERIAL IS THE PROPERTY OF SELCO PRODUCTS AND MAY NOT BE USED, REPRODUCED, PUBLISHED OR DISCLOSED TO OTHERS WITHOUT EXPRESSED PERMISSION BY SELCO PRODUCTS FOR EACH AND EVERY INSTANCE

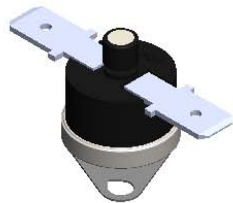
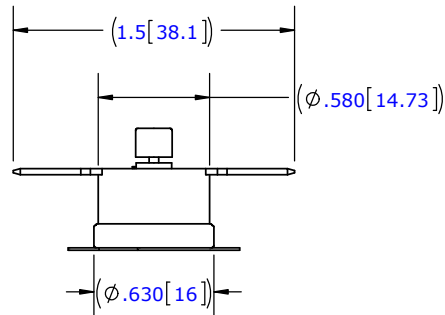
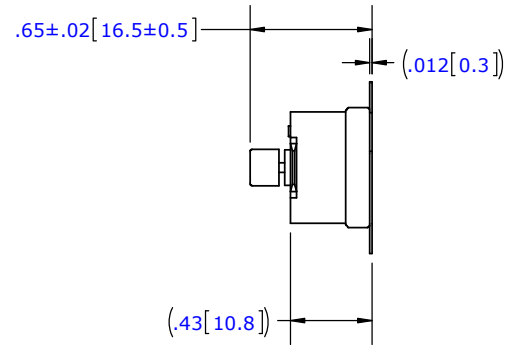
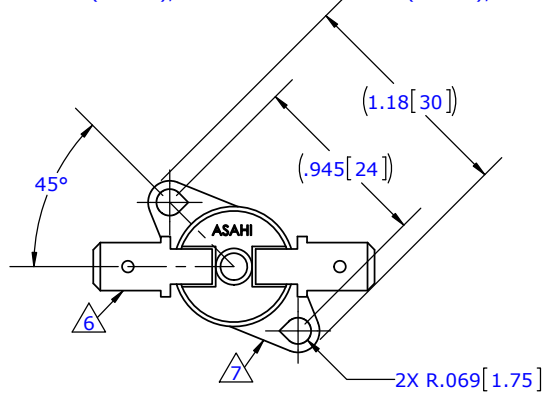
REVISIONS

SYMBOL	DESCRIPTION	ECO/ECR	DATE	DFT/APP
P1	PRELIMINARY RELEASE	-	10/28/2015	K.M./E.P.

NOTES:

1. THERMOSTAT OPENS AT XXX°F ±XX°F (XX°C ±X°C) AND IS MANUALLY RESET
  - A. MAY BE RESET APPROXIMATELY 30% BELOW OPERATING TEMPERATURE
  - B. TEMPERATURE RATE OF RISE IS 1°F (.5°C) PER MINUTE
2. ELECTRICAL RATINGS: SILVER CONTACTS
  - 125VAC, 15 AMPS, RESISTIVE, 6,000 CYCLES
  - 250VAC, 10 AMPS, RESISTIVE, 6,000 CYCLES
  - 120VAC, 5.8 FLA, 34.8 LRA, 12 AMPS, INDUCTIVE, 6,000 CYCLES
  - 250VAC, 2.9 FLA, 17.4 LRA, INDUCTIVE, 6,000 CYCLES
3. INSULATION RESISTANCE: 100 MΩ OR MORE (WITH A 500 VDC MEGGER)
4. CIRCUIT RESISTANCE: 50 mΩ OR LESS (INITIAL VALUE)
5. DIELECTRIC STRENGTH: 1,500 VAC/1 MINUTE OR 1,800 VAC/1 SECOND
6. TERMINALS: (2X) .250 X .032 QUICK CONNECT
7. BRACKET IS FIXED AT 45°
8. ASSEMBLY IS RoHS COMPLIANT

THERMOSTAT APPROVALS - UL FILE NO. E145478(XAPX2), C-UL FILE NO. E145478(XAPX8), VDE




**CONTROLLED DOCUMENT**  
**VERIFY REVISION**

Customer Approval

Customer Name: \_\_\_\_\_

Representative: \_\_\_\_\_

Signature: \_\_\_\_\_ Date: \_\_\_\_\_

MATERIAL	DRAWN BY	DATE	 8780 TECHNOLOGY WAY, RENO, NV 89521 800-257-3526			
N/A	K.McCRAY	10/28/2015				
FINISH	CHECKED BY	DATE	DESCRIPTION			
N/A	S.BARNEY	10/28/2015				
HEAT TREATMENT	PROJECT ENGINEER	DATE	SIZE	DWG. NO.	REVISION	
N/A	E.PEDROZA	10/28/2015	A	OM-XXX-QCH	P1	
X=SPECIFIED DIMENSIONS ARE IN INCHES	DOCUMENT CONTROL	DATE	TOLERANCES UNLESS OTHERWISE POSTED		PRODUCT CLASS	
	A.CORDOVA	10/28/2015	INCHES: .X ±.020, .XX ±.010, .XXX ±.005 MILLIMETERS: ≥120 ±0.5, 30-120 ±0.3, ≤30 ±0.2 ANGLES ± 1/2°		SCALE	
[X]=SPECIFIED DIMENSIONS ARE IN MILLIMETERS			2Q	N/A	CODE INDENT NO.	
					1G5X3	
					SHEET	
					1 OF 1	