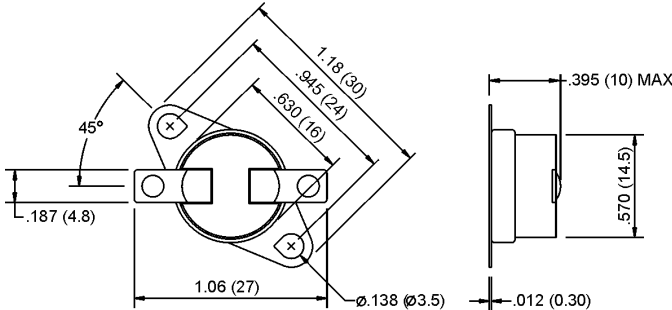


1/2" Disc Thermostats - Automatic Reset

CA/OA (602S) Series, Gold Contacts (602K)



SPECIFICATIONS

| | |
|------------------------------------|---|
| Electrical ratings - Type S | 125VAC, 15 Amps, Resistive, 100,000 Cycles 250VAC, 10 Amps, Resistive, 100,000 Cycles |
| Inductive load ratings | 120VAC, 5.8FLA, 34.8LRA, 6,000 Cycles 240VAC, 2.9FLA, 17.4LRA, 6,000 Cycles |
| Electrical ratings - Type K | 30VDC, 1 Amp, Resistive, 100,000 Cycles 120VAC, 125VA (pilot duty), 1 Amp |
| Temperature range | 50°F to 302°F (10°C to 150°C) |
| <i>UL approved models</i> | |
| <i>Non-UL approved models</i> | 302°F to 320°F (575°C to 608°C) |
| Differential | 15°F to 100°F (8°C to 56°C) |
| Environmental temperature | 32°F to 350°F (0°C to 177°C) |
| Insulation resistance | 100M Ω or more (with a 500VDC megger) |
| Circuit resistance | 50m Ω or less (initial value) |
| Dielectric strength | 1,500VAC/1 minute |
| Approvals | UL Recognized File No. E145478(S), XAPX2 CSA File No. LR63201 VDE File No. 69046 Demko File No. DK-451, CE RoHS Compliant |

This line of highly reliable switches utilize a temperature sensitive disc, electrically isolated from the switch. Contacts will open or close on rise when surface or ambient temperature increase to the snap point of the calibrated bimetal disc. The entire switch is enclosed in a phenolic dust-free housing. The bimetal disc is retained by a metal heat-conducting end cap.

The CA and OA Series thermostats are used in a variety of applications. They are produced in an ISO 9000 certified factory to insure safe and reliable operation. All models are 100% factory inspected for temperature, continuity and function.

Value Added options available including over-mold and seal. For details regarding Value Added options, see page 51.

Models available from stock - subject to availability • CA - Close On-Rise (normally open) • OA - Open On-Rise (normally closed)

| Close/Open On-Rise | Model Number | Open °F | Close °F | Mounting | Terminals | Orientation from Mounting Holes |
|--------------------|--------------|----------|----------|------------------|---------------------------------|---------------------------------|
| Close | CA-50 | 32 ± 10 | 50 ± 7 | surface | solder tabs | 45° |
| Close | CA-60 | 40 ± 9 | 60 ± 7 | surface | solder tabs | 45° |
| Close | CA-60-QCV | 40 ± 10 | 60 ± 7 | surface | .250 quick connects, vertical | 90° |
| Close | CA-85 | 67 ± 9 | 85 ± 7 | surface | solder tabs | 45° |
| Close | CA-85-PCB | 55 ± 10 | 85 ± 7 | air | printed circuit board | • |
| Close | CA-85-QC | 67 ± 10 | 85 ± 7 | surface | .187 quick connects, horizontal | 45° |
| Close | CA-100 | 70 ± 10 | 100 ± 7 | surface | solder tabs | 45° |
| Close | CA-104-ST-18 | 86 ± 10 | 104 ± 8 | 6-32 stud | .250 quick connects, vertical | • |
| Close | CA-107-QCV | 90 ± 10 | 107 ± 7 | surface | .187 quick connects, vertical | 90° |
| Close | CA-110 | 80 ± 10 | 110 ± 7 | surface | solder tabs | 45° |
| Close | CA-110-PCB | 80 ± 10 | 110 ± 7 | air | printed circuit board | • |
| Close | CA-110-QC45 | 80 ± 10 | 110 ± 7 | surface | .187 quick connects, horizontal | 45° |
| Close | CA-115-QC | 100 ± 10 | 115 ± 7 | rotating bracket | .250 quick connects, horizontal | • |
| Close | CA-120 | 90 ± 10 | 120 ± 7 | surface | solder tabs | 45° |
| Close | CA-120-QC | 90 ± 10 | 120 ± 7 | surface | .250 quick connects, horizontal | 90° |
| Close | CA-120-QCH | 90 ± 10 | 120 ± 7 | surface | .187 quick connects, horizontal | 45° |
| Close | CA-120-QCV | 90 ± 7 | 120 ± 10 | surface | .250 quick connects, vertical | 90° |
| Close | CA-130-QC | 110 ± 10 | 130 ± 7 | surface | .250 quick connects, vertical | 45° |
| Close | CA-130-QCH | 100 ± 10 | 130 ± 7 | surface | .250 quick connects, horizontal | 90° |
| Close | CA-130-ST | 112 ± 10 | 130 ± 7 | 8-32 stud | .250 quick connects, vertical | • |
| Close | CA-130-WOB | 100 ± 10 | 130 ± 7 | no bracket | solder tabs | 45° |
| Close | CA-140 | 110 ± 10 | 140 ± 7 | surface | solder tabs | 45° |
| Close | CA-140-QC | 110 ± 10 | 140 ± 7 | surface | .250 quick connects, vertical | 90° |
| Close | CA-140-QC18 | 122 ± 10 | 140 ± 7 | rotating | .250 quick connects, vertical | • |
| Close | CA-150 | 120 ± 10 | 150 ± 7 | surface | solder tabs | 45° |
| Close | CA-160 | 130 ± 10 | 160 ± 7 | surface | solder tabs | 45° |
| Close | CA-160-QC | 130 ± 10 | 160 ± 7 | surface | .250 quick connects, horizontal | 90° |
| Close | CA-160-QC15 | 145 ± 7 | 160 ± 10 | surface | .250 quick connects, horizontal | 90° |
| Close | CA-170 | 140 ± 10 | 170 ± 7 | surface | solder tabs | 45° |

It is the customer's sole responsibility to specify and determine the suitability of a particular control or component based on their unique individual applications and requirements

(714) 917-1333 • (800) 257-3526 • FAX (714) 917-1355 • E-mail: sales@selcoproducts.com

1/2" Disc Thermostats - Automatic Reset

CA/OA (602S) Series, Gold Contacts (602K)

Models available from stock - subject to availability • CA - Close On-Rise (normally open) • OA - Open On-Rise (normally closed)

| Close/Open On-Rise | Model Number | Open °F | Close °F | Mounting | Terminals | Orientation from Mounting Holes |
|--------------------|--------------|----------|----------|------------------|---------------------------------|---------------------------------|
| Close | CA-170-QC | 140 ± 10 | 170 ± 7 | surface | .250 quick connects, vertical | 90° |
| Close | CA-170-WOB | 140 ± 10 | 170 ± 7 | no bracket | solder tabs | ● |
| Close | CA-175-QC | 145 ± 10 | 175 ± 7 | surface | .250 quick connects, horizontal | 90° |
| Close | CA-180 | 150 ± 10 | 180 ± 7 | surface | solder tabs | 45° |
| Close | CA-180-QCV | 150 ± 10 | 180 ± 7 | rotating | .250 quick connects, vertical | ● |
| Close | CA-185-ST | 145 ± 10 | 185 ± 7 | 6-32 stud | .250 quick connects | ● |
| Close | CA-190 | 169 ± 10 | 190 ± 7 | surface | solder tabs | 45° |
| Close | CA-190-QC | 172 ± 10 | 190 ± 7 | surface | .250 quick connects, vertical | 90° |
| Close | CA-200 | 170 ± 10 | 200 ± 7 | surface | solder tabs | 45° |
| Close | CA-205 | 175 ± 10 | 205 ± 7 | surface | solder tabs | 45° |
| Close | CA-205-ST | 175 ± 10 | 205 ± 7 | 6-32 stud | .250 quick connects @ 30° | ● |
| Close | CA-210-QC | 180 ± 10 | 210 ± 7 | surface | .187 quick connects, vertical | 90° |
| Close | CA-225 | 195 ± 10 | 225 ± 7 | surface | solder tabs | 45° |
| Close | CA-230-QC | 203 ± 7 | 230 ± 10 | rotating bracket | .187 quick connects, horizontal | ● |
| Close | CA-230-STG | 185 ± 10 | 230 ± 7 | 6-32 stud | .187 quick connects, vertical | ● |
| Close | CA-240 | 210 ± 10 | 240 ± 7 | surface | solder tabs | 45° |
| Close | CA-270 | 240 ± 10 | 270 ± 7 | surface | solder tabs | 45° |
| Close | CA-270-QCV | 240 ± 7 | 270 ± 10 | surface | .187 quick connects, vertical | 45° |
| Close | CA-300 | 270 ± 10 | 300 ± 7 | surface | solder tabs | 45° |
| Open | OA-50 | 50 ± 5 | 32 ± 10 | surface | solder tabs | 45° |
| Open | OA-60 | 60 ± 5 | 40 ± 7 | surface | solder tabs | 45° |
| Open | OA-60-PCB | 60 ± 5 | 40 ± 7 | air | printed circuit board | ● |
| Open | OA-60-QCR | 60 ± 5 | 40 ± 10 | rotating | .250 quick connects, vertical | ● |
| Open | OA-60-QCV | 60 ± 5 | 40 ± 10 | surface | .250 quick connects, vertical | 90° |
| Open | OA-60-WOB | 60 ± 5 | 40 ± 9 | no bracket | solder tabs | ● |
| Open | OA-70 | 70 ± 5 | 50 ± 10 | surface | solder tabs | 45° |
| Open | OA-80 | 80 ± 5 | 50 ± 9 | surface | solder tabs | 45° |
| Open | OA-80-PCB | 80 ± 5 | 50 ± 10 | air | printed circuit board | ● |
| Open | OA-80-QCV | 80 ± 5 | 50 ± 9 | surface | .250 quick connects, vertical | 90° |
| Open | OA-85 | 85 ± 5 | 67 ± 9 | surface | solder tabs | 45° |
| Open | OA-95-QC | 95 ± 5 | 77 ± 9 | surface | .250 quick connects, horizontal | 90° |
| Open | OA-100 | 100 ± 5 | 70 ± 10 | surface | solder tabs | 45° |
| Open | OA-100-QC | 100 ± 5 | 85 ± 10 | surface | .250 quick connects, horizontal | 90° |
| Open | OA-110 | 110 ± 5 | 80 ± 10 | surface | solder tabs | 45° |
| Open | OA-110-QC | 110 ± 5 | 80 ± 10 | rotating bracket | .250 quick connects, horizontal | ● |
| Open | OA-120 | 120 ± 5 | 90 ± 10 | surface | solder tabs | 45° |
| Open | OA-120-15-45 | 120 ± 5 | 105 ± 10 | surface | solder tabs | 45° |
| Open | OA-120-QC | 120 ± 5 | 90 ± 10 | surface | .250 quick connects, vertical | 90° |
| Open | OA-120-QCH | 120 ± 5 | 90 ± 10 | surface | .250 quick connects, horizontal | 45° |
| Open | OA-130 | 130 ± 5 | 100 ± 10 | surface | solder tabs | 45° |
| Open | OA-130-ST | 130 ± 5 | 100 ± 10 | 10-32 stud | .250 quick connects, horizontal | ● |
| Open | OA-140 | 140 ± 5 | 110 ± 10 | surface | solder tabs | 45° |
| Open | OA-140-QCV | 140 ± 5 | 110 ± 10 | surface | .250 quick connects, vertical | 90° |
| Open | OA-150 | 150 ± 5 | 120 ± 10 | surface | solder tabs | 45° |
| Open | OA-150-PCB | 150 ± 5 | 120 ± 10 | air | printed circuit board | 90° |
| Open | OA-150-QCC | 150 ± 5 | 120 ± 10 | surface | .250 quick connects, vertical | ● |
| Open | OA-158-ST | 158 ± 5 | 118 ± 10 | 6-32 stud | .250 quick connects | ● |
| Open | OA-160 | 160 ± 5 | 130 ± 10 | surface | solder tabs | 45° |
| Open | OA-160-QC20 | 160 ± 5 | 140 ± 10 | surface | .250 quick connects, horizontal | 90° |
| Open | OA-160-QCH | 160 ± 5 | 130 ± 10 | surface | .187 quick connects, horizontal | 45° |
| Open | OA-160-QCV20 | 160 ± 5 | 140 ± 10 | surface | .250 quick connects, vertical | 90° |
| Open | OA-165-145 | 165 ± 5 | 145 ± 9 | surface | .250 quick connects, vertical | 90° |
| Open | OA-170 | 170 ± 5 | 140 ± 10 | surface | solder tabs | 45° |
| Open | OA-170-PCB | 170 ± 5 | 140 ± 10 | air | printed circuit board | ● |
| Open | OA-170-WOB | 170 ± 5 | 140 ± 10 | no bracket | .187 quick connects, horizontal | ● |
| Open | OA-175 | 175 ± 5 | 157 ± 10 | surface | solder tabs | 45° |
| Open | OA-175-QC | 175 ± 5 | 145 ± 10 | surface | .250 quick connects, vertical | 45° |
| Open | OA-175-QCH | 175 ± 5 | 157 ± 10 | surface | .250 quick connects, horizontal | 45° |
| Open | OA-175-S2 | 175 ± 6 | 145 ± 10 | 10-32 stud | .250 quick connects, horizontal | ● |
| Open | OA-180 | 180 ± 5 | 150 ± 10 | surface | solder tabs | 45° |

It is the customer's sole responsibility to specify and determine the suitability of a particular control or component based on their unique individual applications and requirements

(714) 917-1333 • (800) 257-3526 • FAX (714) 917-1355 • E-mail: sales@selcoproducts.com

1/2" Disc Thermostats - Automatic Reset CA/OA (602S) Series, Gold Contacts (602K)

Models available from stock - subject to availability • CA - Close On-Rise (normally open) • OA - Open On-Rise (normally closed)

| Close/Open On-Rise | Model Number | Open °F | Close °F | Mounting | Terminals | Orientation from Mounting Holes |
|--------------------|---------------|----------|----------|------------------|---------------------------------|---------------------------------|
| Open | OA-180-QC | 180 ± 5 | 150 ± 10 | surface | .187 quick connects, horizontal | 45° |
| Open | OA-180-QCV | 180 ± 5 | 150 ± 10 | surface | .250 quick connects, vertical | 45° |
| Open | OA-180-QCVR | 180 ± 5 | 150 ± 10 | rotating bracket | .250 quick connects, vertical | ● |
| Open | OA-185-QC18 | 185 ± 10 | 167 ± 10 | rotating bracket | .250 quick connects, vertical | ● |
| Open | OA-185-QCP | 185 ± 5 | 154 ± 10 | surface | .250 quick connects, vertical | 90° |
| Open | OA-185-ST10 | 185 ± 5 | 131 ± 10 | 10-32 stud | .250 quick connects, horizontal | ● |
| Open | OA-190 | 190 ± 5 | 160 ± 10 | surface | solder | 45° |
| Open | OA-190-QC | 190 ± 7 | 172 ± 10 | surface | .250 quick connects, vertical | 45° |
| Open | OA-194-QC | 194 ± 5 | 164 ± 10 | surface | .187 quick connects, vertical | 45° |
| Open | OA-194-QC18 | 194 ± 5 | 176 ± 10 | surface | .250 quick connects, horizontal | 90° |
| Open | OA-194-QCC | 194 ± 5 | 153 ± 10 | surface | .250 quick connects, vertical | 90° |
| Open | OA-200 | 200 ± 5 | 170 ± 10 | surface | solder | 45° |
| Open | OA-200-QC | 200 ± 5 | 181 ± 10 | surface | .250 quick connects, vertical | 90° |
| Open | OA-200-QCV | 200 ± 5 | 170 ± 10 | surface | .250 quick connects, vertical | 45° |
| Open | OA-200-QCV-90 | 200 ± 5 | 170 ± 10 | surface | .250 quick connects, vertical | 90° |
| Open | OA-200-ST | 200 ± 5 | 170 ± 8 | 10-32 stud | .250 quick connects | ● |
| Open | OA-203-QCP | 203 ± 5 | 163 ± 10 | surface | .250 quick connects, vertical | 90° |
| Open | OA-203-QCV | 203 ± 5 | 167 ± 10 | surface | .250 quick connects, vertical | 90° |
| Open | OA-203-ST | 203 ± 5 | 163 ± 10 | 6-32 stud | .250 quick connects | ● |
| Open | OA-210 | 210 ± 5 | 180 ± 10 | surface | solder | 45° |
| Open | OA-210-QC | 210 ± 5 | 180 ± 10 | surface | .187 quick connects, horizontal | 45° |
| Open | OA-210-QCR | 210 ± 5 | 195 ± 10 | rotating bracket | .250 quick connects, horizontal | ● |
| Open | OA-210-QCV | 210 ± 5 | 180 ± 10 | surface | .250 quick connects, vertical | 45° |
| Open | OA-212-QCP | 212 ± 5 | 167 ± 10 | surface | .250 quick connects, vertical | 90° |
| Open | OA-220 | 220 ± 5 | 190 ± 10 | surface | solder | 45° |
| Open | OA-220-PCB | 220 ± 5 | 190 ± 10 | air | printed circuit board | ● |
| Open | OA-220-QC | 220 ± 5 | 190 ± 10 | surface | .250 quick connects, horizontal | 45° |
| Open | OA-225-205 | 225 ± 5 | 205 ± 10 | surface | .250 quick connects, vertical | 90° |
| Open | OA-230 | 230 ± 5 | 200 ± 10 | surface | solder | 45° |
| Open | OA-230-QCV | 230 ± 7 | 200 ± 10 | surface | .250 quick connects, vertical | 90° |
| Open | OA-239-ST | 239 ± 7 | 189 ± 10 | 6-32 stud | .250 quick connects | ● |
| Open | OA-240-QCV | 240 ± 7 | 200 ± 10 | surface | .250 quick connects, vertical | 90° |
| Open | OA-250 | 250 ± 7 | 220 ± 10 | surface | solder | 45° |
| Open | OA-250-PCB | 250 ± 5 | 220 ± 10 | air | printed circuit board | ● |
| Open | OA-250-QC | 250 ± 5 | 220 ± 10 | surface | .187 quick connects, horizontal | 45° |
| Open | OA-250-QCA | 250 ± 7 | 220 ± 10 | surface | .250 quick connects, horizontal | 45° |
| Open | OA-265-QCA | 265 ± 7 | 235 ± 10 | air | .250 quick connects, vertical | 90° |
| Open | OA-270-90 | 270 ± 7 | 240 ± 10 | surface | solder | 90° |
| Open | OA-275-QCH | 275 ± 7 | 245 ± 10 | surface | .250 quick connects, horizontal | 45° |
| Open | OA-280 | 280 ± 7 | 250 ± 10 | surface | solder | 45° |
| Open | OA-280-QC | 280 ± 7 | 250 ± 10 | surface | .250 quick connects, vertical | 45° |
| Open | OA-300 | 300 ± 7 | 270 ± 10 | surface | solder | 45° |
| Open | OA-300-QC | 300 ± 7 | 220 ± 14 | rotating bracket | .250 quick connects, vertical | ● |
| Open | OA-300-QCVR | 300 ± 7 | 270 ± 10 | rotating bracket | .250 quick connects, vertical | ● |

It is the customer's sole responsibility to specify and determine the suitability of a particular control or component based on their unique individual applications and requirements

(714) 917-1333 • (800) 257-3526 • FAX (714) 917-1355 • E-mail: sales@selcoproducts.com