

# Accessories

## Mechanical accessories

### Front Extended Spread Terminal - ES (IEC only)

Type	Poles	Busbar dimensions [mm/in]			Cable lug [mm/in]		Tightening torques				Terminal covers [mm/in]				Separators [mm/in]			
		W	D	ø	W	ø	Terminal	Cable or busbar	2/.07	7.5/.29	50/1.96	60/2.36	50/1.96	80/3.14	100/3.93	200/7.87		
A1	2 3	20/.78	6/.23	8.5/.33	20/.78	8.5/.33	M6	3	M8	9	-	-	-	-	-	-	S	-
A2	2 3	30/1.18	4/.15	10.5/.41	10.5/.41	NA	M8	8	M10	18	-	-	-	-	-	-	S	-



Terminal ES



Terminal ES with cable lug



Terminal ES with busbar

### Front Terminals for copper aluminium cables - FCCuAl

Type	Assembly	Poles	Cable [mm/in]		Tightening torques			Length of Cable stripping [mm/in]	Terminal covers [mm/in]				Separators [mm/in]				
			Rigid	Terminal	Terminal	Cable or busbar	2/.07		7.5/.29	50/1.96	60/2.36	50/1.96	80/3.14	100/3.93	200/7.87		
A1	Internal	1 <sup>(1)</sup> 2 <sup>(1)</sup> 3	14-2 AWG	M6	35lb-in	-	14 - 10 AWG; 20lb-in 8 AWG; 35lb-in 6 - 2 AWG; 75lb-in	16/.62	-	S <sup>(1)</sup>	R	-	-	-	-	-	-
A1	Internal	1 <sup>(1)</sup> 2 <sup>(1)</sup> 3	4-1 AWG	M6	35lb-in	-	75lb-in	16/.62	-	S <sup>(1)</sup>	R	-	-	-	-	-	-
A2	Internal	1 2 3	1 AWG - 300 kcmil	M8	135lb-in	-	135lb-in	20/.78	-	S <sup>(1)</sup>	-	R	-	-	-	-	-
A2	Internal	1 2 3	300 - 350 kcmil	M8	135lb-in	-	177lb-in	22/.86	-	S <sup>(1)</sup>	-	R	-	-	-	-	-

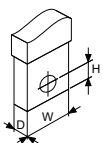
(1) The Terminal covers are not supplied for 1p and 2p, the use of phase separators, supplied with the standard circuit breaker, and the insulating of switchboard door are mandatory.



Terminal FCCuAl



Terminal FCCuAl with cable



NA = Not available  
W = Width  
H = Hole height  
D = Depth  
ø = Diameter  
S = Standard  
R = On request

## Accessories

### Mechanical accessories

#### Front Terminals

	1 piece	2 pieces	3 pieces	4 pieces	6 pieces
KIT F A1	KA1F-1	KA1F-2	KA1F-3	KA1F-4	KA1F-6
KIT F A2	KA2F-1	KA2F-2	KA2F-3	KA2F-4	KA2F-6

#### Front Extended Terminals (IEC only)

KIT EF A1	KA1EF-1	KA1EF-2	KA1EF-3	KA1EF-4	KA1EF-6
KIT EF A2	KA2EF-1	KA2EF-2	KA2EF-3	KA2EF-4	KA2EF-6

#### Front Extended Spread Terminals (IEC only)

KIT ES A1	KA1ES-1	KA1ES-2	KA1ES-3	KA1ES-4	KA1ES-6
KIT ES A2	KA2ES-1	KA2ES-2	KA2ES-3	KA2ES-4	KA2ES-6

#### Front Terminals for copper aluminium cables - FCCuAl

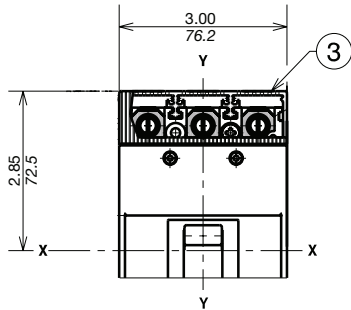
KIT FC CuAl A1 80A	KA1080-1	KA1080-2	KA1080-3	KA1080-4	KA1080-6
KIT FC CuAl A1 100A	KA1100-1	KA1100-2	KA1100-3	KA1100-4	KA1100-6
KIT FC CuAL A2; 250A Cu cables and 225A Al cables	KA2225-1	KA2225-2	KA2225-3	KA2225-4	KA2225-6
KIT FC CuAl A2 250A	KA2250-1	KA2250-2	KA2250-3	KA2250-4	KA2250-6



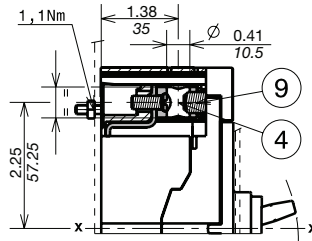
# Approximate dimensions

## A1 - Circuit breaker and terminals

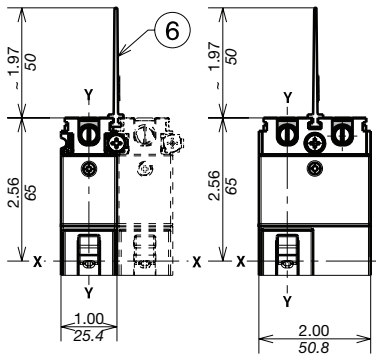
### FCCuAI 4-1 AWG Terminals



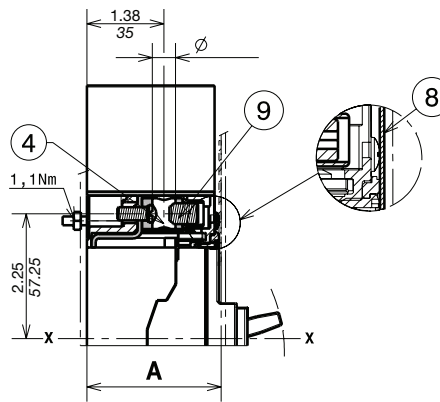
3 pole



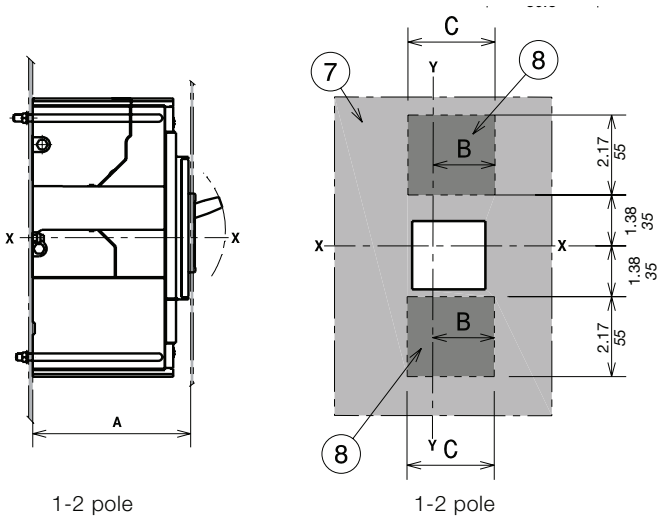
3 pole



1-2 pole



1-2 pole



1-2 pole

1-2 pole

	A [mm/in]	B [mm/in]	C [mm/in]	
Without flange	69/2.72	33/1.30	66/2.60	1 POLE
	69/2.72	58/2.28	91/3.58	2 POLE
	61*/2.40*	33/1.30	66/2.60	1 POLE
	61*/2.40*	58/2.28	91/3.58	2 POLE

\* Distance only possible with insulation plate max 1mm / 0.04in thick

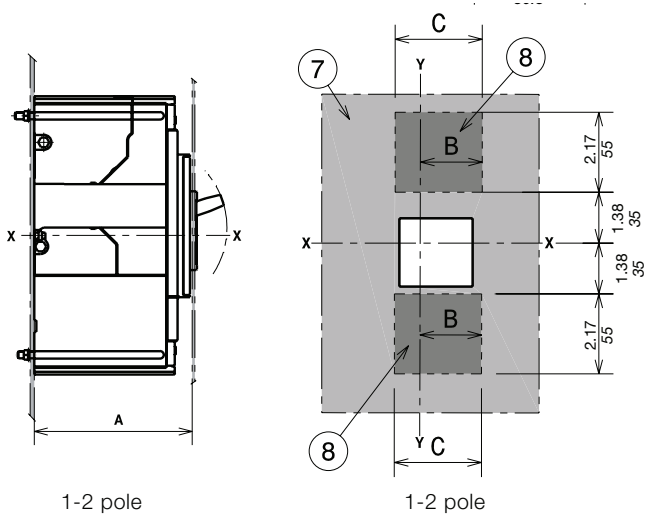
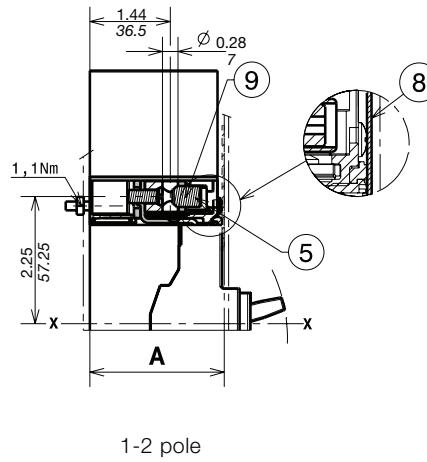
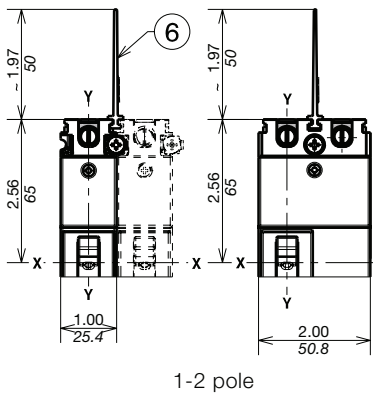
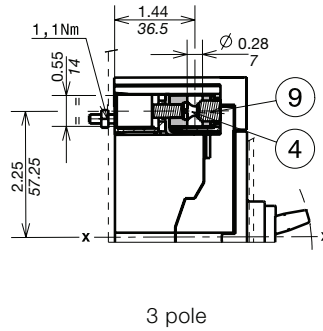
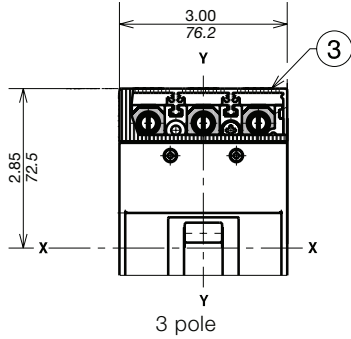
#### Caption

- ③ Bottom terminal covers with IP40 degree of protection (compulsory)
- ④ FCCuAI 4-1 AWG terminals
- ⑥ 50mm insulating barriers between the terminals (compulsory) not supplied with FCCuAI terminals kit, but with the circuit breaker in base version
- ⑦ Compartment door drilling template and fixing insulation (provided by customer)
- ⑧ Compulsory internal 1 pole - 2 pole insulation plates (provided by customer)

# Approximate dimensions

## A1 - Circuit breaker and terminals

### FCCuAI 14 - 2 AWG Terminals



	A [mm/in]	B [mm/in]	C [mm/in]	
Without flange	69/2.72	33/1.30	66/2.60	1 POLE
	69/2.72	58/2.28	91/3.58	2 POLE
	61*/2.40*	33/1.30	66/2.60	1 POLE
	61*/2.40*	58/2.28	91/3.58	2 POLE

\* Distance only possible with insulation plate max 1mm/0.039in thick

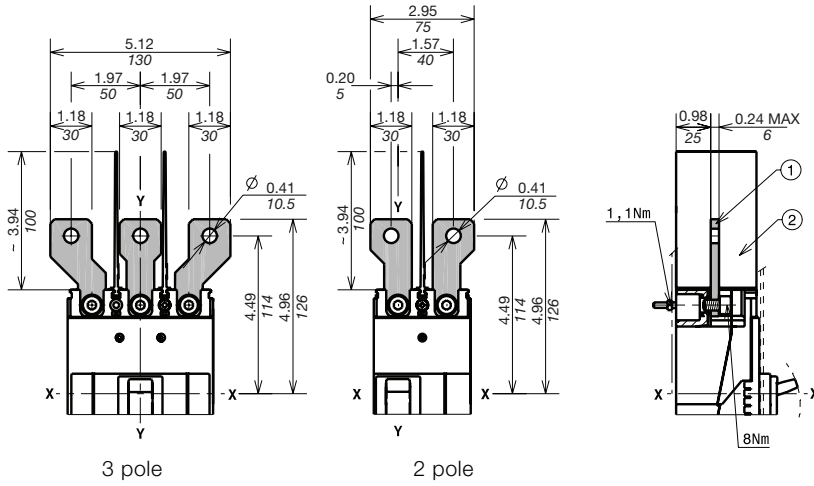
#### Caption

- ③ Bottom terminal covers with IP40 degree of protection (compulsory)
- ⑤ FCCuAI 14-2 AWG terminals
- ⑥ 50mm insulating barriers between the terminals (compulsory) not supplied with FCCuAI terminals kit, but with the circuit breaker in base version
- ⑦ Compartment door drilling template and fixing insulation (provided by customer)
- ⑧ Compulsory internal 1 pole - 2 pole insulation plates (provided by customer)

# Approximate dimensions

## A2 - Circuit breaker and terminals

### ES Terminals



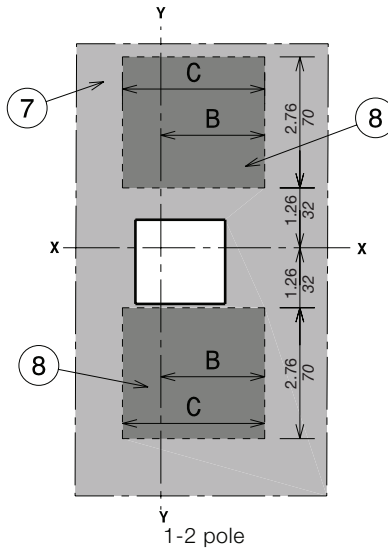
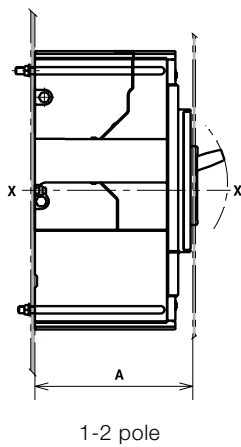
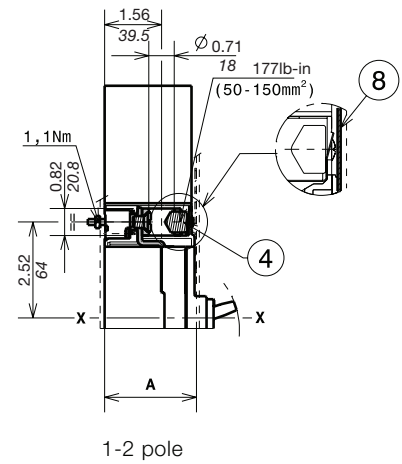
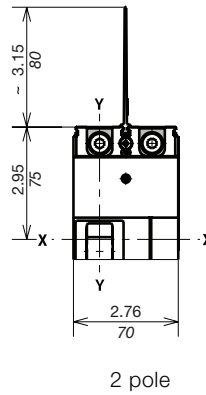
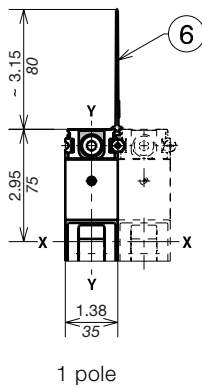
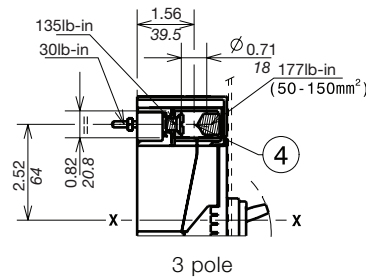
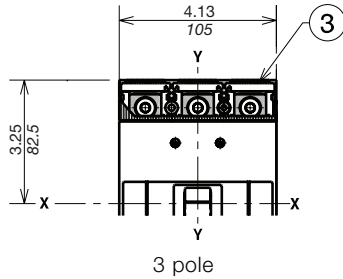
#### Caption

- ① Front extended spread terminals
- ② 100mm insulating barriers between the terminals (compulsory) supplied

# Approximate dimensions

## A2 - Circuit breaker and terminals

### FCCuAl 300kcmil - 350kcmil Terminals



#### Caption

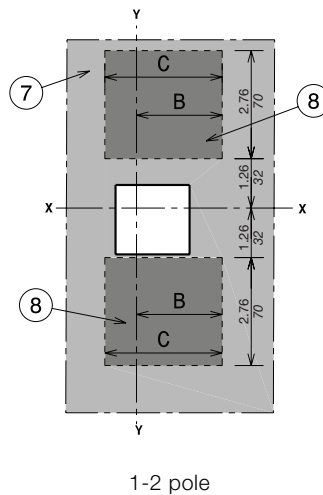
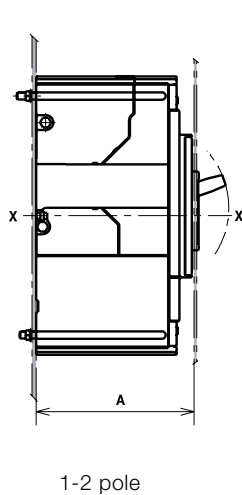
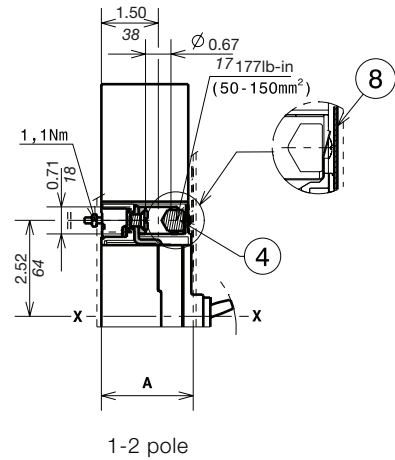
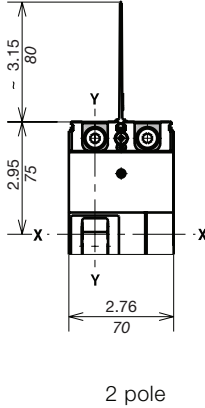
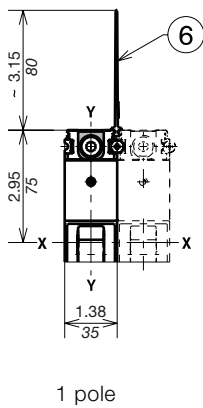
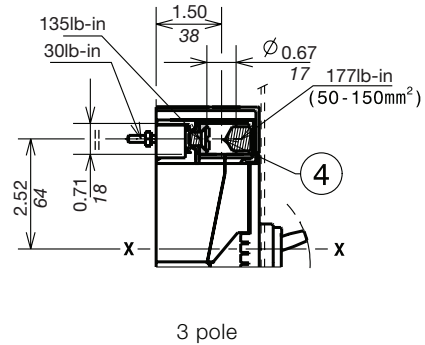
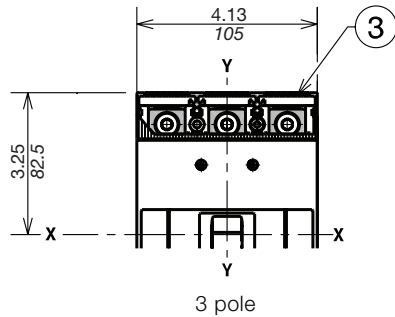
- ③ Terminal covers (compulsory)
- ⑤ Terminals FCCuAl 300kcmil - 350kcmil
- ⑥ 80mm insulating barriers between the terminals (compulsory) not supplied with FCCuAl terminals kit, but with the circuit breaker in base version
- ⑦ Compartment door drilling template and fixing insulation (provided by customer) 1 pole
- ⑧ Compulsory internal insulation plates (provided by customer) max 1mm/0.039in thick

	A [mm/in]	B [mm/in]	C [mm/in]	
Without flange	69/2.72	37.5/1.48	75/2.95	1 POLE
	69/2.72	-	-	2 POLE
	61/2.40	37.5/1.48	75/2.95	1 POLE
	61/2.40	-	-	2 POLE

# Approximate dimensions

## A2 - Circuit breaker and terminals

### FCCuAI 1 AWG - 300kcmil Terminals



#### Caption

- ③ Terminal covers (compulsory)
- ④ Terminals FCCuAI 1 AWG - 300kcmil
- ⑥ 80mm insulating barriers between the terminals (compulsory) not supplied with FCCuAI terminals kit, but with the circuit breaker in base version
- ⑦ Compartment door drilling template and fixing insulation (provided by customer) 1 pole
- ⑧ Compulsory internal insulation plates (provided by customer) max 1mm/0.039in thick

	A [mm/in]	B [mm/in]	C [mm/in]	
Without flange	69/2.72	42.5/1.67	85/3.35	1 POLE
	69/2.72	-	-	2 POLE
	61/2.40	42.5/1.67	85/3.35	1 POLE
	61/2.40	-	-	2 POLE