

Plug-In Outlet Center[®] Units

Bring power safely and conveniently to wherever you need it with a full line of Plug-In Outlet Center Units from Wiremold/Legrand. These units are ideal for use in a wide variety of settings, including relay racks and cabinets, laboratories, workshops, classrooms and offices.

Plug-In Outlet Center Units include rack mount, Cabinet-MATE, compact, 90 degree, deluxe control, industrial, and international units. Most units are available in both 15 and 20 Amp configurations.

Wiremold/Legrand also offers extensive custom capabilities for Plug-In Outlet Center Units. Contact the factory for more information.



JO8BOB (Front & Back)



UL207BC



JO6BOB20X-AM (Front)



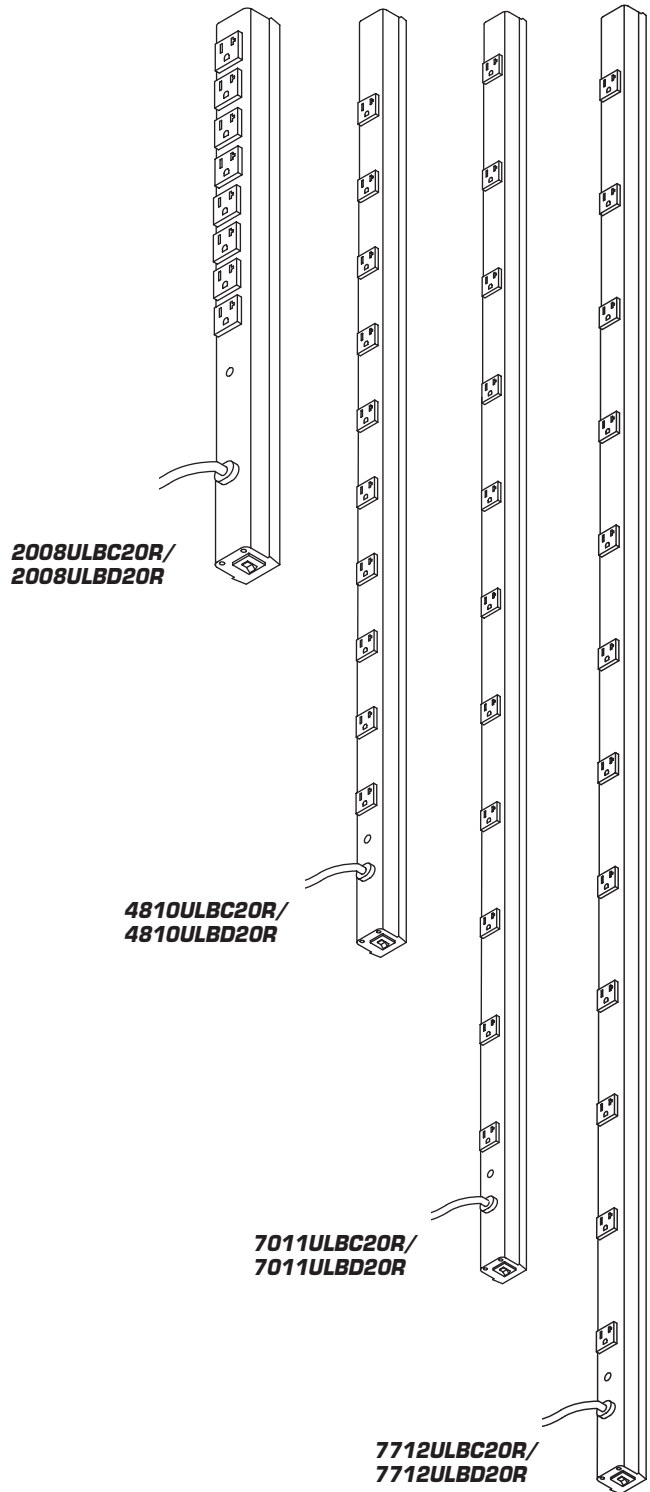
P6

Features & Benefits

- **User-ready outlets.** Plug-In Outlet Center units provide power distribution in a portable, plug-in unit.
- **Rugged construction.** Durable 2" x 1 3/4" [44mm x 51mm] or 3 1/2" x 2" [89mm x 44mm] aluminum housing. Some Plug-In Outlet Center units are available with an impact-resistant plastic housing.
- **Space saving.** Rack mount units fit standard 19" [482mm] relay racks. Compact 1U design takes up minimum space. 23" [584mm] units available, consult factory.
- **Low profile.** CabinetMATE units offer a narrow 1 1/2" x 1 3/16" [38mm x 20mm] aluminum housing.
- **Aesthetically pleasing.** Rack mount units have a black matte finish and a black cord. CabinetMATE, compact and industrial units have a gray finish and a black cord. Deluxe control and 20A units have a putty white finish and a black cord. Most units with a putty white finish have a putty white cord. Special Use units have a white finish and a white cord.
- **Flexible mounting.** Each unit features one of four different mounting types. Each mounting method has been designed to optimize the performance of the product. Complete mounting hardware and installation instructions are included with every unit.
- **Cord properly rated to load requirements.** 15A units have a 14/3 SJT cord and a NEMA 5-15P plug. 20A units have a 12/3 SJT cord and a NEMA 5-20P or NEMA L5-20P plug.
- **Lighted switch.** Most units have lighted on/off switch(es) to control power to the unit.
- **Resettable circuit breaker.** Provides overload protection.
- **Two-Year product warranty.**
- **UL and cUL Listed or Recognized.** Units are UL and cUL Listed to UL1363 standards. Rack mount units are UL and cUL Recognized to UL1363 standards.

20A CabinetMATE Plug-In Outlet Centers

Catalog No./Item	Description/Specifications
2008ULBC20R 2008ULBD20R 2008ULBC20R-TL * 2008ULBD20R-TL *	CabinetMATE Plug-In Outlet Center – Eight 20A outlets with t-slots. 6' [1.8m] or 15' [4.6m] cord. Length 20" [508mm]. Receptacle center-to-center 1 1/4" [32mm]. Units available with straight blade or NEMA L5-20P locking plug.
4810ULBC20R 4810ULBD20R 4810ULBC20R-TL * 4810ULBD20R-TL *	CabinetMATE Plug-In Outlet Center – Ten 20A outlets with t-slots. 6' [1.8m] or 15' [4.6m] cord. Length 48" [1.2m]. Receptacle center-to-center 4" [102mm]. Units available with straight blade or NEMA L5-20P locking plug.
7011ULBC20R 7011ULBD20R 7011ULBC20R-TL * 7011ULBD20R-TL *	CabinetMATE Plug-In Outlet Center – Eleven 20A outlets with t-slots. 6' [1.8m] or 15' [4.6m] cord. Length 70" [1.6m]. Receptacle center-to-center 6" [152mm]. Units available with straight blade or NEMA L5-20P locking plug.
7712ULBC20R 7712ULBD20R 7712ULBC20R-TL * 7712ULBD20R-TL *	CabinetMATE Plug-In Outlet Center – Twelve 20A outlets with t-slots. 6' [1.8m] or 15' [4.6m] cord. Length 77" [2m]. Receptacle center-to-center 6" [152mm]. Units available with straight blade or NEMA L5-20P locking plug.



**2008ULBC20R/
2008ULBD20R**

**4810ULBC20R/
4810ULBD20R**

**7011ULBC20R/
7011ULBD20R**

**7712ULBC20R/
7712ULBD20R**



20A NEMA L5-20P Locking Plug